

## FEATURES AND SPECIFICATIONS

### Features and Benefits

- Sizes 20 to 100 circuits
- Bellows-style terminal provides low insertion force and reliable contact
- Molded-in slot allows plug to be twisted in and out
- Optional metal peg provides secure retention during wave soldering

### Reference Information

Packaging: Tray  
 Mates With: 52411, 52340, 52327 and 52412  
 (does not mate with EBB1 50-D)  
 Designed In: Millimeters

### Electrical

Voltage: 125V  
 Current: 0.5A  
 Contact Resistance: 20mΩ max.  
 Dielectric Withstanding Voltage: 500V AC/1 min.  
 Insulation Resistance: 1000 MΩ min.

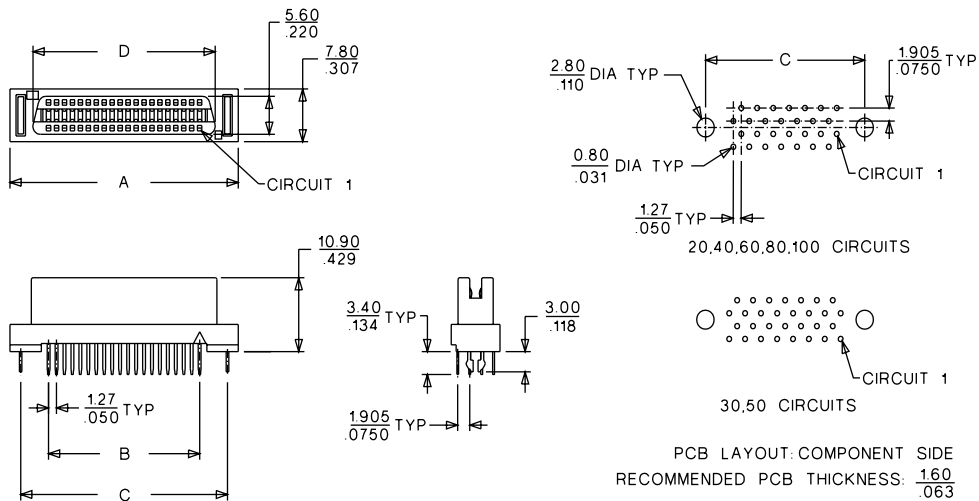
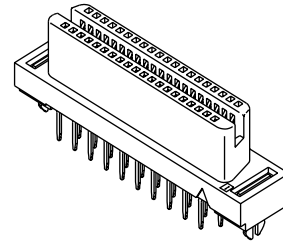
### Physical

Housing: Glass-filled polyester, UL 94V-0  
 Contact: Phosphor Bronze  
 Plating: Selective Gold flash over Nickel  
 Metal Peg: Phosphor Bronze  
 Temperature: -55 to +85°C

# molex® 1.27mm (.050") Pitch D-50L Receptacle

## 52326/52368

## Dual Row Vertical



## ORDERING INFORMATION AND DIMENSIONS

Circuits	Order No.		Dimension			
	Metal Peg	Without Metal Peg	A	B	C	D
20	52326-0201	52368-0201	23.75 (.935)	11.43 (.450)	20.32 (.800)	16.40 (.646)
30	52326-0301	52368-0301	30.10 (1.185)	17.78 (.700)	26.67 (1.050)	22.75 (.896)
40	52326-0401	52368-0401	36.45 (1.435)	24.13 (.950)	33.02 (1.300)	29.10 (1.146)
50	52326-0501	52368-0501	42.80 (1.685)	30.48 (1.200)	39.37 (1.550)	35.45 (1.396)
60	52326-0601	52368-0601	49.15 (1.935)	36.83 (1.450)	45.72 (1.800)	41.80 (1.646)
80	52326-0801	52368-0801	61.85 (2.435)	49.53 (1.950)	58.42 (2.300)	54.50 (2.146)
100	52326-1001	52368-1001	74.55 (2.935)	62.23 (2.450)	71.12 (2.800)	67.20 (2.646)



Print

Products

Search By:

Enter Molex Part No.

## More Information

- [52326](#)- [52340](#)

Products

New

Contact Us

About Us

Investors

Jobs

Languages

日本語  
한국어  
简体中文

English

Español

Français

Italiano

Deutsch

中文显示

日本語

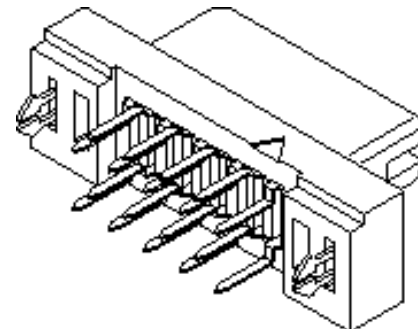
한국어

## Datasheet

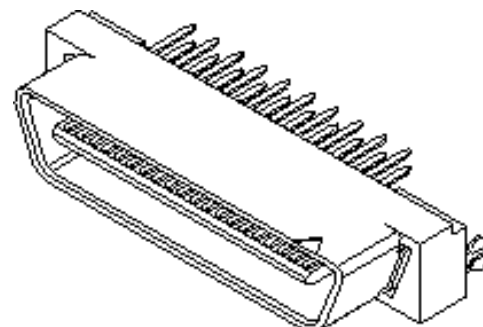
## Board-to-Board

**1.27mm (.050") D-50L Dual Row, Vertical: Receptacle - Header 52326:52340**[ [Home](#) > [Products](#) > [Board-to-Board](#) > Datasheet ][Help](#)

<a href="#">PCB Orientation</a>	Parallel
<a href="#">Pitch / Center Spacing</a>	1.27mm (.050")
<a href="#">Circuits / Positions</a>	20, 30, 40, 50, 60, 70, 80, 100
<a href="#">Mated Height (H)</a>	14.90mm (.587")
<a href="#">Mated Width (W)</a>	7.80mm (.307")
<a href="#">Rows</a>	2
<a href="#">Polarized to Mating Part</a>	Yes
<a href="#">Designed In</a>	Millimeters
<a href="#">Temperature Range</a>	-55°C to +85°C
<a href="#">Plating Contact</a>	Gold (Au)
<a href="#">Durability (cycles)</a>	*
<a href="#">Current-max [amps]</a>	0.5A
<a href="#">Voltage-max [volts]</a>	125V
<a href="#">Contact Resistance [ohms]</a>	20 milliohms max.
<a href="#">Withstanding Voltage</a>	500V
<a href="#">Insulation Resistance [ohms]</a>	1000 Megohms min.
<a href="#">Receptacle - Orientation</a>	Vertical
<a href="#">Receptacle - Mounting</a>	Through Hole
<a href="#">Receptacle - PCB Thickness</a>	1.60mm (.063")
<a href="#">Receptacle - Surface Mount Compatible</a>	No
<a href="#">Receptacle - Polarized to PCB</a>	Yes
<a href="#">Receptacle - PCB Retention</a>	Nail
<a href="#">Receptacle - Stagger Tails</a>	Yes
<a href="#">Receptacle - Packaging</a>	Tray
<a href="#">Receptacle - Housing Material</a>	Polyester Glass-filled
<a href="#">Receptacle - Flammability</a>	UL 94V-0
<a href="#">Receptacle - Contact</a>	Phosphor Bronze
<a href="#">Receptacle - Comment</a>	In-Line Mating term.



Female Receptacle 52326



Male Header 52340

## Features and Benefits

- Sizes 20 to 100 circuits
- Offered with and without nail
- Leaf-style contact
- DIP-type mounting

<a href="#">Header - Orientation</a>	<b>Vertical</b>
<a href="#">Header - Mounting</a>	<b>Through Hole</b>
<a href="#">Header - PCB Thickness</a>	<b>1.60mm (.063")</b>
<a href="#">Header - Surface Mount Compatible</a>	<b>No</b>
<a href="#">Header - Polarized to PCB</a>	<b>Yes</b>
<a href="#">Header - PCB Retention</a>	<b>*</b>
<a href="#">Header - Stagger Tails</a>	<b>Yes</b>
<a href="#">Shrouded</a>	<b>Yes</b>
<a href="#">Breakaway</a>	<b>No</b>
Pin Header	<b>No</b>
<a href="#">Header - Packaging</a>	<b>Tray</b>
<a href="#">Header - Housing Material</a>	<b>Polyester, Glass-filled</b>
<a href="#">Header - Flammability</a>	<b>UL 94V-0</b>
<a href="#">Header - Contact</a>	<b>Brass</b>
<a href="#">Header - Comment</a>	<b>In-Line Mating terminal</b>
<a href="#">Product Name</a>	<b>D-50L</b>

[ © Copyright 2001 Molex Incorporated ]