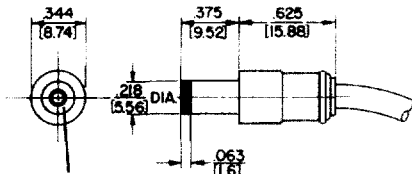


### MOLDED CABLE ASSEMBLIES With Power-Plug Battery Charger Plugs and Jacks



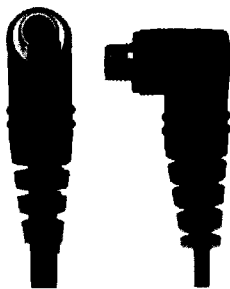
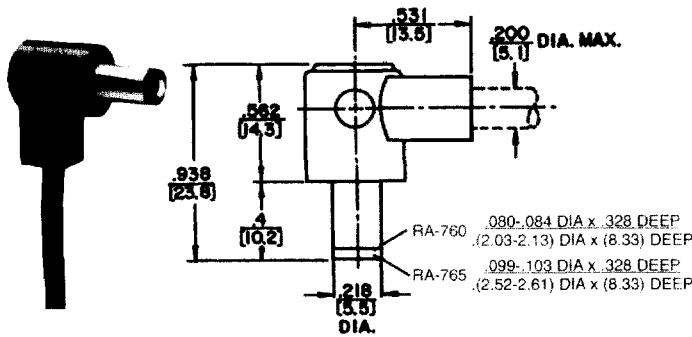
**ST760, ST765**  
Termination Code: 47, 48



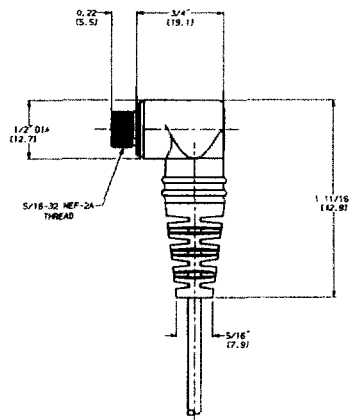
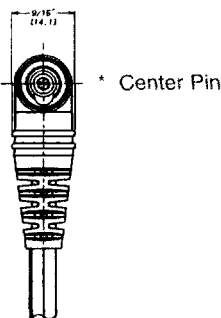
- ST-760 .080-.084 DIA x .328 DEEP  
(2.03-2.13) DIA x (8.33) DEEP
- ST-765 .099-.103 DIA x .328 DEEP  
(2.52-2.61) DIA x (8.33) DEEP

**NOTE:** ST760 is a molded version of S760;  
ST765 is a molded version of 760.

**RA760, RA765**  
Termination Code: 52, 53



**RA712A and RA722A**  
Termination Code: 71, 72



- RA712A  
108-.112" Split Pin  
Collapses to fit .10" Diameter Pin
- RA722A  
.086-.090" Split Pin  
Collapses to fit .08" Diameter Pin

### SPECIFICATIONS

#### PLUG

- Sleeve:** Copper alloy, nickel-plated.
- Pin:** Silver-plated copper alloy.
- Finger Insulator:** Plastic.
- Insulating Washers:** Rigid plastic.
- Sleeve Terminal:** Steel, tin-plated.
- Molded Handle:** Plastic.

#### JACK

- Bushing:** Brass, nickel-plated copper alloy.
- Washers:** Rigid plastic.
- Pin, Springs, and Terminals:** Plated copper alloy.
- Housings:** Thermoplastic.

#### CABLE

We will build assemblies on cable furnished by you, .156 inch (3.96 mm) outside diameter, or on cable we purchase to your specifications. Jacket must have temperature rating of 60° C minimum. Optional mold available for larger cable; order as ST760L or ST765L.

#### DESIGN FEATURES

- ST760, ST760L, RA760—accepts .08 inch (2.03 mm) diameter pin.
  - ST765, ST765L, RA765—accepts .099 inch (2.54 mm) diameter pin.
  - RA712A:
    - Mates with ST765, ST765L, and RA765.
    - 2 conductor.
    - Mounts in .313" diameter hole in panels up to .125" thick.
    - Pin outside diameter is .108-.112" split pin.
    - Automatic switchover from AC to DC.
  - RA722A:
    - Mates with ST760, ST760L, and RA760.
    - Pin outside diameter is .086-.090" split pin.
  - Molded-in cable clamp sleeve terminal (RA plugs only).
  - For use with sockets similar to those used on portable radios, tape recorders, television receivers and appliances which feature AC adapters and/or battery chargers.
  - Available with terminations of another ST760, RA760 stripped and tinned ends, spade lugs, alligator clips, and more on special order.
  - Jacks available with extended bushing for use with Switchcraft locking power plugs 761K, 766K, S761K, and S766K on special order.
- See ordering guide on next page.

DIMENSIONS ARE FOR REFERENCE ONLY  $\frac{\text{inch}}{(\text{mm})}$

**NOTE:** Contact your Switchcraft Representative for price and delivery.

## MOLDED CABLE ASSEMBLIES WITH POWER PLUGS AND JACKS Part Numbering System

### TO CREATE A PART NUMBER

1. Identify Terminations (both ends)
2. Indicate Color and Type of Cable
3. Select the Length of Assembly

### DC POWER CABLE ASSEMBLIES

Type	Termination		Color	Cable*	Length (feet)			Termination	
	<input type="checkbox"/>	<input type="checkbox"/>	<input type="checkbox"/>	<input type="checkbox"/>	<input type="checkbox"/>	<input type="checkbox"/>	<input type="checkbox"/>	<input type="checkbox"/>	<input type="checkbox"/>
ST760	4	7	G-Gray	C	0	1	8 (1.5)	4	7
ST765	4	8	H-Black	K	0	2	4 (2)	4	8
ST760L	5	7						5	7
ST765L	5	8						5	8
ST760K	7	3						7	3
ST765K	7	4						7	4
RA760	5	2		Y	0	3	6 (3)	5	2
RA765	5	3		Z	0	4	8 (4)	5	3
RA712A	7	1			0	7	2 (6)	7	1
RA722A	7	2			1	2	0 (10)	7	2
								8	4
								9	0

\*See "Cable Types" chart on page 251.

**Note:** Some configurations will be special orders. Contact Switchcraft.

### TYPICAL STANDARD PART NUMBERS

STRAIGHT 2-CONDUCTOR .100 pin POWER PLUG (#48) TO:			
Termination (other end)	Cable	Length (feet)	Part Number <sup>1</sup>
(power plug) #48	C	6	48HC07248
(stripped wires) #84	C	6	48HC07284
(blunt cut) #90	C	6	48HC07290
(power jack .100 pin) #71	K	6	48HK07271

<sup>1</sup> All cables listed here are black

DIMENSIONS ARE FOR REFERENCE ONLY  $\frac{\text{inch}}{\text{mm}}$

**NOTE:** Contact your Switchcraft Representative for price and delivery.