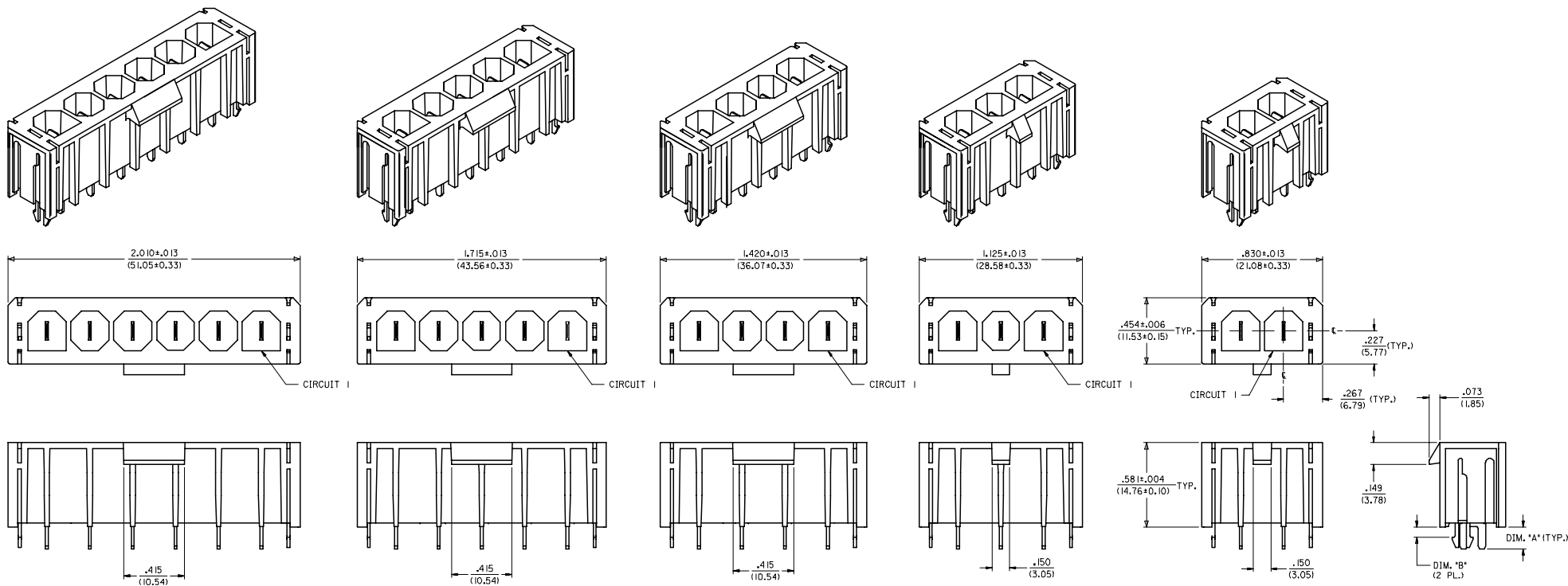


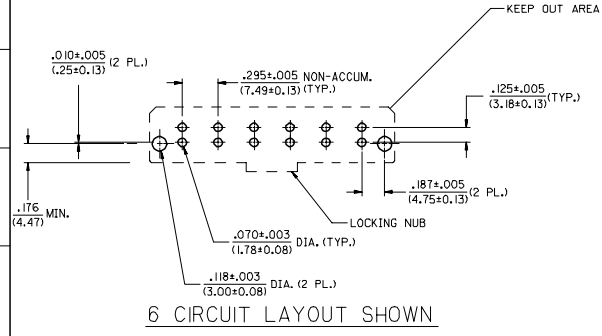
20 19 18 17 16 15 14 13 12 11 10 9 8 7 6 5 4 3 2 1



SEE SHEET 2 AND 3 FOR ITEM NUMBER CHART

**RECOMMENDED P.C. BOARD LAYOUT FOR VERTICAL HEADERS**

SCALE 2:1



**NOTES:**

- INSULATOR MATERIAL (SEE CHART):  
 A = 30x GLASS FILLED 46 NYLON, 94V-0, COLOR: BLACK.  
 B = UNFILLED 66 NYLON, 94V-2, COLOR: NATURAL (TRANSLUCENT).  
 NOTE: HEADER ASSEMBLIES IN 94V-2, 66 NYLON, ARE ONLY APPROVED FOR WAVE SOLDERING PROCESSES.  
 TERMINAL MATERIAL: C26000 BRASS
- TERMINAL FINISH: 35 MICRONCH (0.88 MICROMETER) MINIMUM TIN OVER 20 MICRONCH (0.50 MICROMETER) MINIMUM COPPER.  
 • THE PRIMARY SHIPPING CARTON WILL BE LABELED "COMPLIANT TO ROHS DIRECTIVE 2002/95/EC AND ELV ANNEX II OF DIRECTIVE 2000/53/EC." CARTONS WITHOUT THIS LABEL MAY CONTAIN PRODUCT WITH TIN-LEAD IN THE PC TAILS.
- PRODUCT SPECIFICATION: PSX-44441-9999.
- PACKAGING: SEE CHART.
- THESE HEADERS MATE WITH 43179, 43335, OR 44441 RECEPTACLE HOUSINGS.
- SEE SHEETS 1, 2 AND 3, FOR VERTICAL HEADER ASSEMBLIES AND THEIR RESPECTIVE PART NUMBERS.
- SEE SHEETS 4, 5 AND 6, FOR RIGHT ANGLE HEADER ASSEMBLIES AND THEIR RESPECTIVE PART NUMBERS.
- TERMINALS ARE ON .295/(7.49) CENTERLINE SPACING.
- DIMENSIONS ARE FOR REFERENCE ONLY, UNLESS INDICATED OTHERWISE.
- WHERE APPLICABLE, A .048/(1.22) DIAMETER THRU HOLE, PER NEMA STANDARD DC2-1982, FOR THE PURPOSE OF LOCKING TO A MATING FEMALE TERMINAL.

SOLDER TAIL	DIM. "A" ±.020/(0.51)
SHORT	.150/(3.81)
LONG	.210/(5.33)

BOARD LOCK	DIM. "B" ±.004/(0.10)
.062	.107/(2.71)
.094	.102/(2.59)
.125	.133/(3.38)

6	GI
5	G
4	GI
3	GI
2	G
1	GI
SHT. REV.	

ADD NOTES SHTS. 3 & 6 EC NO. UCP/2006-0200 DRAWN BY: STENART 2005/08/19 CHECKED BY: KRUIS 2005/08/22 APPR: BWR KRUIS 2005/08/22	QUALITY SYMBOLS ▽=0 ▽=0	GENERAL TOLERANCES (UNLESS SPECIFIED) mm INCH 4 PLACES ±.--- ±.--- 3 PLACES ±.--- ±.005 2 PLACES ±.013 ±.01 1 PLACE ±.025 ±.--- ANGULAR ±1/2°		DIMENSION STYLE IN/MM DRAWN BY DATE GC 11/30/95 CHECKED BY DATE KBP 11/30/95 APPROVED BY DATE RAS 11/30/95		SCALE 3:1 DESIGN UNITS INCH THIRD ANGLE PROJECTION
		DRAFT WHERE APPLICABLE MUST REMAIN WITHIN DIMENSIONS		MATERIAL NO. SEE CHART DOCUMENT NO. SDA-43160-****		SHEET NO. 1 OF 6
		THIS DRAWING CONTAINS INFORMATION THAT IS PROPRIETARY TO MOLEX INCORPORATED AND SHOULD NOT BE USED WITHOUT WRITTEN PERMISSION				
		MOLEX INCORPORATED SABRE HEADER, ASSY VERTICAL, 2-6 & 8 CIR. .125/(3.18)X .020/(0.51)				

19 18 17 16 15 14 13 12 11 10 9 8 7 6 5 4 3 2 1

	20	19	18	17	16	15	14	13	12	11	10	9	8	7	6	5	4	3	2	1	
M	VERTICAL HEADER ASSEMBLY ITEM NO.	PART CHARACTERISTICS FOR VERTICAL HEADER					PACKAGING SPECIFICATIONS	VERTICAL HEADER ASSEMBLY ITEM NO.	PART CHARACTERISTICS FOR VERTICAL HEADER					PACKAGING SPECIFICATIONS	VERTICAL HEADER ASSEMBLY ITEM NO.	PART CHARACTERISTICS FOR VERTICAL HEADER					PACKAGING SPECIFICATIONS
		CIRCUIT SIZE	HSG. MAT'L (SEE NOTE 1)	SOLDER TAIL	LOCK (NOTE 10)	BOARD LOCK			CIRCUIT SIZE	HSG. MAT'L (SEE NOTE 1)	SOLDER TAIL	LOCK (NOTE 10)	BOARD LOCK			CIRCUIT SIZE	HSG. MAT'L (SEE NOTE 1)	SOLDER TAIL	LOCK (NOTE 10)	BOARD LOCK	
	43160-0102	2	A	SHORT	NO	N/A	PK-43160-0010	43160-0104	4	A	SHORT	NO	N/A	PK-43160-0010	43160-0106	6	A	SHORT	NO	N/A	PK-43160-0010
	43160-0202	2	B	SHORT	NO	N/A	PK-43160-0010	43160-0204	4	B	SHORT	NO	N/A	PK-43160-0010	43160-0206	6	B	SHORT	NO	N/A	PK-43160-0010
	43160-0302	2	A	LONG	NO	N/A	PK-43789-001	43160-0304	4	A	LONG	NO	N/A	PK-43789-001	43160-0306	6	A	LONG	NO	N/A	PK-43789-001
L	43160-0402	2	B	LONG	NO	N/A	PK-43789-001	43160-0404	4	B	LONG	NO	N/A	PK-43789-001	43160-0406	6	B	LONG	NO	N/A	PK-43789-001
	43160-0502	2	A	SHORT	YES	N/A	PK-43160-0010	43160-0504	4	A	SHORT	YES	N/A	PK-43160-0010	43160-0506	6	A	SHORT	YES	N/A	PK-43160-0010
	43160-0602	2	B	SHORT	YES	N/A	PK-43160-0010	43160-0604	4	B	SHORT	YES	N/A	PK-43160-0010	43160-0606	6	B	SHORT	YES	N/A	PK-43160-0010
	43160-0702	2	A	LONG	YES	N/A	PK-43789-001	43160-0704	4	A	LONG	YES	N/A	PK-43789-001	43160-0706	6	A	LONG	YES	N/A	PK-43789-001
K	43160-0802	2	B	LONG	YES	N/A	PK-43789-001	43160-0804	4	B	LONG	YES	N/A	PK-43789-001	43160-0806	6	B	LONG	YES	N/A	PK-43789-001
	43160-2102	2	A	SHORT	NO	.062	PK-43789-001	43160-2104	4	A	SHORT	NO	.062	PK-43789-001	43160-2106	6	A	SHORT	NO	.062	PK-43789-001
	43160-2202	2	B	SHORT	NO	.062	PK-43789-001	43160-2204	4	B	SHORT	NO	.062	PK-43789-001	43160-2206	6	B	SHORT	NO	.062	PK-43789-001
	43160-2502	2	A	SHORT	YES	.062	PK-43789-001	43160-2504	4	A	SHORT	YES	.062	PK-43789-001	43160-2506	6	A	SHORT	YES	.062	PK-43789-001
J	43160-2602	2	B	SHORT	YES	.062	PK-43789-001	43160-2604	4	B	SHORT	YES	.062	PK-43789-001	43160-2606	6	B	SHORT	YES	.062	PK-43789-001
	43160-4102	2	A	SHORT	NO	.094	PK-43789-001	43160-4104	4	A	SHORT	NO	.094	PK-43789-001	43160-4106	6	A	SHORT	NO	.094	PK-43789-001
	43160-4202	2	B	SHORT	NO	.094	PK-43789-001	43160-4204	4	B	SHORT	NO	.094	PK-43789-001	43160-4206	6	B	SHORT	NO	.094	PK-43789-001
	43160-4302	2	A	LONG	NO	.094	PK-43789-001	43160-4304	4	A	LONG	NO	.094	PK-43789-001	43160-4306	6	A	LONG	NO	.094	PK-43789-001
I	43160-4402	2	B	LONG	NO	.094	PK-43789-001	43160-4404	4	B	LONG	NO	.094	PK-43789-001	43160-4406	6	B	LONG	NO	.094	PK-43789-001
	43160-4502	2	A	SHORT	YES	.094	PK-43789-001	43160-4504	4	A	SHORT	YES	.094	PK-43789-001	43160-4506	6	A	SHORT	YES	.094	PK-43789-001
	43160-4602	2	B	SHORT	YES	.094	PK-43789-001	43160-4604	4	B	SHORT	YES	.094	PK-43789-001	43160-4606	6	B	SHORT	YES	.094	PK-43789-001
	43160-4702	2	A	LONG	YES	.094	PK-43789-001	43160-4704	4	A	LONG	YES	.094	PK-43789-001	43160-4706	6	A	LONG	YES	.094	PK-43789-001
H	43160-4802	2	B	LONG	YES	.094	PK-43789-001	43160-4804	4	B	LONG	YES	.094	PK-43789-001	43160-4806	6	B	LONG	YES	.094	PK-43789-001
	43160-6302	2	A	LONG	NO	.125	PK-43789-001	43160-6304	4	A	LONG	NO	.125	PK-43789-001	43160-6306	6	A	LONG	NO	.125	PK-43789-001
	43160-6402	2	B	LONG	NO	.125	PK-43789-001	43160-6404	4	B	LONG	NO	.125	PK-43789-001	43160-6406	6	B	LONG	NO	.125	PK-43789-001
	43160-6702	2	A	LONG	YES	.125	PK-43789-001	43160-6704	4	A	LONG	YES	.125	PK-43789-001	43160-6706	6	A	LONG	YES	.125	PK-43789-001
G	43160-6802	2	B	LONG	YES	.125	PK-43789-001	43160-6804	4	B	LONG	YES	.125	PK-43789-001	43160-6806	6	B	LONG	YES	.125	PK-43789-001
	43160-0103	3	A	SHORT	NO	N/A	PK-43160-0010	43160-0105	5	A	SHORT	NO	N/A	PK-43160-0010	43160-0107	7	A	SHORT	NO	N/A	PK-43160-0010
	43160-0203	3	B	SHORT	NO	N/A	PK-43160-0010	43160-0205	5	B	SHORT	NO	N/A	PK-43160-0010	43160-0207	7	B	SHORT	NO	N/A	PK-43160-0010
	43160-0303	3	A	LONG	NO	N/A	PK-43789-001	43160-0305	5	A	LONG	NO	N/A	PK-43789-001	43160-0307	7	A	LONG	NO	N/A	PK-43789-001
F	43160-0403	3	B	LONG	NO	N/A	PK-43789-001	43160-0405	5	B	LONG	NO	N/A	PK-43789-001	43160-0407	7	B	LONG	NO	N/A	PK-43789-001
	43160-0503	3	A	SHORT	YES	N/A	PK-43160-0010	43160-0505	5	A	SHORT	YES	N/A	PK-43160-0010	43160-0507	7	A	SHORT	YES	N/A	PK-43160-0010
	43160-0603	3	B	SHORT	YES	N/A	PK-43160-0010	43160-0605	5	B	SHORT	YES	N/A	PK-43160-0010	43160-0607	7	B	SHORT	YES	N/A	PK-43160-0010
E	43160-0703	3	A	LONG	YES	N/A	PK-43789-001	43160-0705	5	A	LONG	YES	N/A	PK-43789-001	43160-0707	7	A	LONG	YES	N/A	PK-43789-001
	43160-0803	3	B	LONG	YES	N/A	PK-43789-001	43160-0805	5	B	LONG	YES	N/A	PK-43789-001	43160-0807	7	B	LONG	YES	N/A	PK-43789-001
	43160-2103	3	A	SHORT	NO	.062	PK-43789-001	43160-2105	5	A	SHORT	NO	.062	PK-43789-001	43160-2107	7	A	SHORT	NO	.062	PK-43789-001
	43160-2203	3	B	SHORT	NO	.062	PK-43789-001	43160-2205	5	B	SHORT	NO	.062	PK-43789-001	43160-2207	7	B	SHORT	NO	.062	PK-43789-001
D	43160-2503	3	A	SHORT	YES	.062	PK-43789-001	43160-2505	5	A	SHORT	YES	.062	PK-43789-001	43160-2507	7	A	SHORT	YES	.062	PK-43789-001
	43160-2603	3	B	SHORT	YES	.062	PK-43789-001	43160-2605	5	B	SHORT	YES	.062	PK-43789-001	43160-2607	7	B	SHORT	YES	.062	PK-43789-001
	43160-4103	3	A	SHORT	NO	.094	PK-43789-001	43160-4105	5	A	SHORT	NO	.094	PK-43789-001	43160-4107	7	A	SHORT	NO	.094	PK-43789-001
	43160-4203	3	B	SHORT	NO	.094	PK-43789-001	43160-4205	5	B	SHORT	NO	.094	PK-43789-001	43160-4207	7	B	SHORT	NO	.094	PK-43789-001
	43160-4303	3	A	LONG	NO	.094	PK-43789-001	43160-4305	5	A	LONG	NO	.094	PK-43789-001	43160-4307	7	A	LONG	NO	.094	PK-43789-001
C	43160-4403	3	B	LONG	NO	.094	PK-43789-001	43160-4405	5	B	LONG	NO	.094	PK-43789-001	43160-4407	7	B	LONG	NO	.094	PK-43789-001
	43160-4503	3	A	SHORT	YES	.094	PK-43789-001	43160-4505	5	A	SHORT	YES	.094	PK-43789-001	43160-4507	7	A	SHORT	YES	.094	PK-43789-001
	43160-4603	3	B	SHORT	YES	.094	PK-43789-001	43160-4605	5	B	SHORT	YES	.094	PK-43789-001	43160-4607	7	B	SHORT	YES	.094	PK-43789-001
	43160-4703	3	A	LONG	YES	.094	PK-43789-001	43160-4705	5	A	LONG	YES	.094	PK-43789-001	43160-4707	7	A	LONG	YES	.094	PK-43789-001
B	43160-4803	3	B	LONG	YES	.094	PK-43789-001	43160-4805	5	B	LONG	YES	.094	PK-43789-001	43160-4807	7	B	LONG	YES	.094	PK-43789-001
	43160-6303	3	A	LONG	NO	.125	PK-43789-001	43160-6305	5	A	LONG	NO	.125	PK-43789-001	43160-6307	7	A	LONG	NO	.125	PK-43789-001
	43160-6403	3	B	LONG	NO	.125	PK-43789-001	43160-6405	5	B	LONG	NO	.125	PK-43789-001	43160-6407	7	B	LONG	NO	.125	PK-43789-001
	43160-6703	3	A	LONG	YES	.125	PK-43789-001	43160-6705	5	A	LONG	YES	.125	PK-43789-001	43160-6707	7	A	LONG	YES	.125	PK-43789-001
A	43160-6803	3	B	LONG	YES	.125	PK-43789-001	43160-6805	5	B	LONG	YES	.125	PK-43789-001	43160-6807	7	B	LONG	YES	.125	PK-43789-001

SEE SHEET ONE EC NO. UCP2005-2388 2005/05/25 G'DRINKLSTEIN CHICKAWARRUS APPR:BM/RUS 2005/05/25	QUALITY SYMBOLS	GENERAL TOLERANCES (UNLESS SPECIFIED)		DIMENSION STYLE		SCALE	DESIGN UNITS	THIRD ANGLE PROJECTION		
	▽=0	mm	INCH	IN/MM		1:1	INCH	DATE		
	▽=0	4 PLACES ± --- ± ---	3 PLACES ± --- ± .005	DRAWN BY	DATE	11/30/95	TITLE			
		2 PLACES ± 0.13 ± .01	1 PLACE ± 0.25 ± ---	CHECKED BY	DATE	11/30/95	SABRE HEADER ASSY			
		ANGULAR ±1/2°		APPROVED BY	DATE	11/30/95	VERTICAL, 2-6 & 8 CIR. .125/(3.18) X .020/(0.51)			
	DRAFT WHERE APPLICABLE MUST REMAIN WITHIN DIMENSIONS	SEE CHART		MATERIAL NO.		DOCUMENT NO.		SHEET NO.		
				SDA-43160-****		MOLEX INCORPORATED		2 OF 6		
								THIS DRAWING CONTAINS INFORMATION THAT IS PROPRIETARY TO MOLEX INCORPORATED AND SHOULD NOT BE USED WITHOUT WRITTEN PERMISSION		