

INTERCONNECT PINS: AUTOMOUNT™ SURFACE MOUNT PINS

AutoMount surface mount pins and pin headers are designed for use as test points, board stacking interconnects, surface mount adapters and mating connector posts. The AutoMount product line consists of discrete surface mount pins in loose piece or continuous form as well as in header strips in standard and custom configurations on centers as small as 2mm.

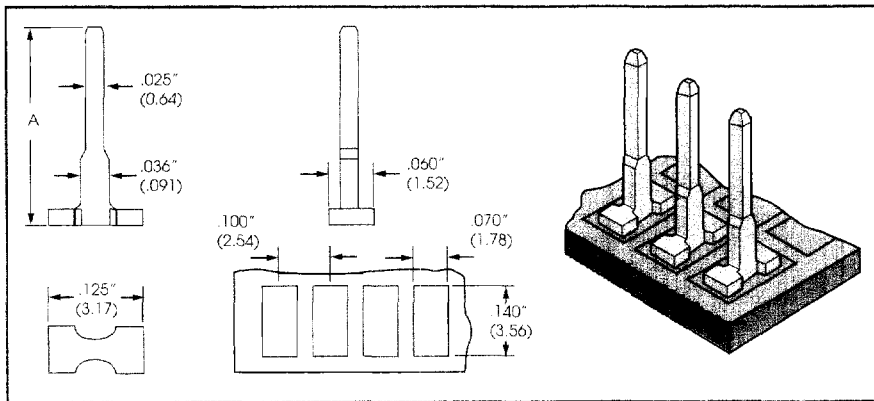
Benefits:

- Several packaging options: Loose piece, continuous strip, header strip, break away strips, custom arrays.
- Solid construction: doesn't wick solder up the pin.
- Wide range pin lengths.
- Wide range pin sizes for placement centers as small as 2mm.
- Custom variations and pin positions.
- Optional lead lengths.
- Excellent pin coplanarity.



38

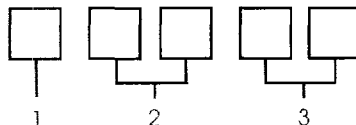
AUTOMOUNT™ PINS: LOOSE AND CONTINUOUS SURFACE MOUNT PINS .025" SQ. (.63MM)



AUTOMOUNT ON CONTINUOUS STRIP FOR AUTOMATIC ASSEMBLY

Part Number Ordering Codes, Automount Pins

21 - 1 0 0 4 D 00



Ordering Guide

1. Packaging:

- L = Loose piece
- R = Reeled (strip)

2. Dimensions:

| Code | A |
|------|-------------------|
| A2 | = .220" (5.59mm) |
| A4 | = .320" (8.13mm) |
| A6 | = .375" (9.53mm) |
| A8 | = .500" (12.70mm) |

3. Plating (over nickel):

| Code | Description |
|------|--|
| AA | 120μ" min. tin-lead overall |
| BA | 3μ" min select gold |
| CA | 10μ" min select gold |
| EA | 30μ" min select gold |
| FA | 3μ" min gold over 12μ" min 80/20 Pd Ni select |

All parts have 120μ" min. tin-lead solder SMT base.

Custom Options

- Above Pad**
- Pin Length:** Up to .750" (19.05mm)
- SMT Feeders:** Consult factory for availability

Other Requirements: Consult Factory

Specifications

- Pin Contact:** Copper Alloy
- Plating:** See Ordering Codes