

## ST 18/5 – Crimp version

To the versions with screwing terminals mentioned so far, which allow the customer to mount the cables, there is an alternative: the crimp version.

It is available in two variations: with single contacts to be mounted with a crimping tool and in a belted version to be used with crimping machines.

crimp contacts 0.75–1.5 mm<sup>2</sup> (strip form)

### male contact

strip form 0.75–1.5 mm<sup>2</sup>

**05.544.2000.0**

minimum order number (1 coil) 4000 pcs

loose piece

**05.544.2029.0** 1000 pcs

### female contact

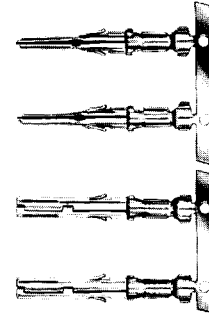
strip form 0.75–1.5 mm<sup>2</sup>

**02.124.2000.0**

minimum order number (1 coil) 4000 pcs

loose piece

**02.124.2029.0** 1000 pcs



insulation length = 5 mm

crimping tool for contacts 0.5–2.5 mm<sup>2</sup>

ref. no. **95.101.0500.0**

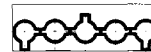
punching tool

ref. no. **05.502.0300.0**

crimping machine see page 6/39

ref. no. **95.000.0005.0**

coding      female part      male part      colour



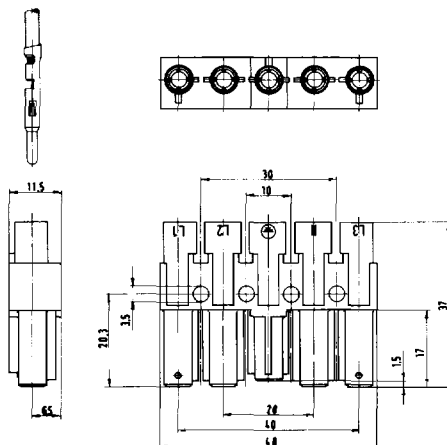
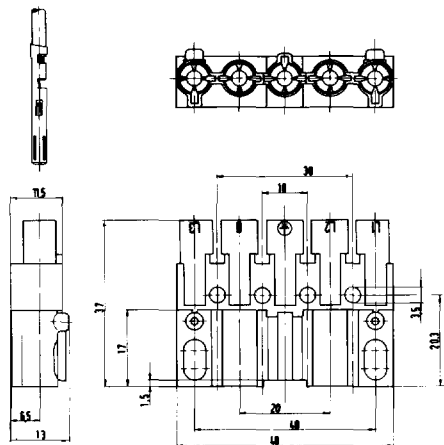
black  
white

**ST 18/5poles  
Female part**

**ST 18/5poles  
Male part**

**230/400 V~, 16 A**

**ST18/5**



female part

black **01.098.8258.0** 100  
white **01.098.8258.2** 100



male part

black **01.098.8358.0** 100  
white **01.098.8358.2** 100

crimp contacts 0.75–1.5 mm<sup>2</sup>

female contacts strip form – **02.124.2000.0** 4000  
loose piece – **02.124.2029.0** 1000

crimp contacts 0.75–1.5 mm<sup>2</sup>

male contacts strip form – **05.544.2000.0** 4000  
loose piece – **05.544.2029.0** 1000