

SPECIFICATIONS

Mechanical

Contact Retention Force: 0.91Kg (2.01Lb) min.
Mating Force: 1.0Kg (2.20Lb) max.
Unmating Force: 0.3Kg (0.66Lb) to 1.5Kg (3.31Lb)
Durability: 100000 Cycles

Electrical

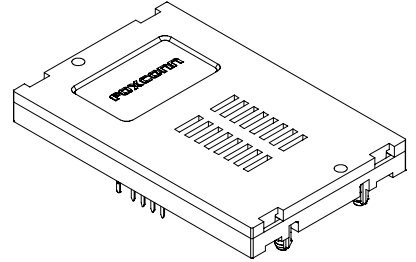
Current Rating: 0.5 A
Contact Resistance: 40mΩ max. initial, 60mΩ max. After Test
Dielectrical Withstanding Voltage: 500Vrms AC
Insulation Resistance: 1000MΩ min. initial, 100 MΩ min. After Test

Physical

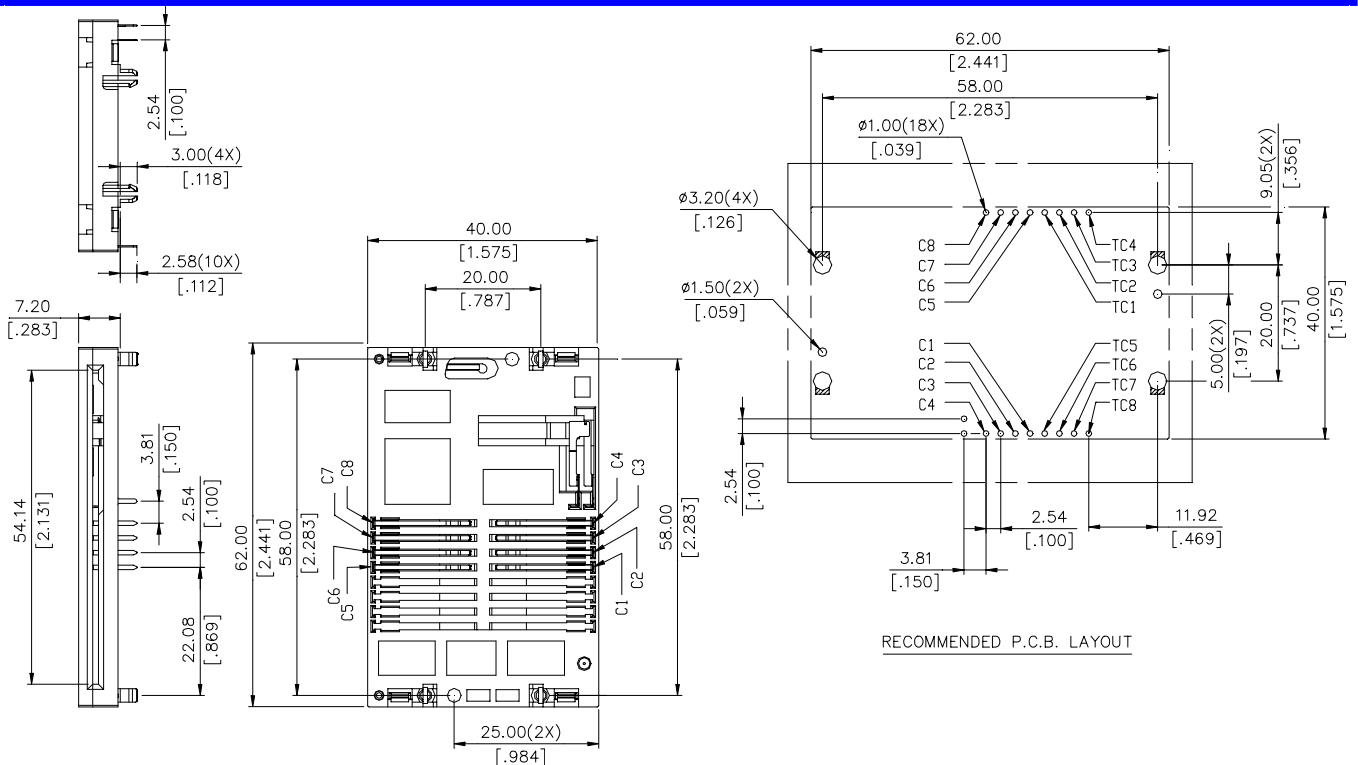
Housing: Thermoplastic, UL 94V-0 rated in Black Color
Contact: Copper alloy
Plating: See "ORDERING INFORMATION"
Operating Temperature: -50 °C to + 85 °C

Smart Card Connector

WM Series
Right Angle, T/H
Manual Type
With Detect Switches
2.54mm [.100"] Pitch
8 Pos.



DRAWING



ORDERING INFORMATION

PRODUCT NO.: WM 1 * 4 13 - P 2 -W

Termination Type ——— 1 = Right Angle
 Switch Type ——— 1 = Normal Open
 2 = Normal Close
 No. of Pos. ——— 4 = 8 Pos.
 Packaged Code ——— W = Tray Packing
 Extension Code ———
 Contact Area Plating ——— 3 = 30u" Gold
 Upper Cover Type ——— 1 = Plastic Upper Cover