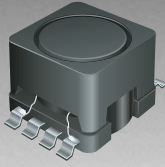


LEAD FREE
VERSIONS ARE
ROHS COMPLIANT



BOURNS®

Features

- Available in E6 series
- High inductance up to 10 mH
- Low 6.0 mm profile
- Gull wing leads
- Lead free version available (see How to Order)
- Lead free versions are RoHS compliant*

Applications

- Input/output of DC/DC converters
- Power supplies for:
 - Portable communication equipment
 - Camcorders
 - LCD TVs
 - Car radios

SRR0906 Series - SMD Shielded Power Inductors

Electrical Specifications

| Bourns Part No. | Inductance 1kHz | | Q Ref. | Test Frequency (MHz) | SRF Min. (MHz) | RDC (Ω) | I rms Max. (A) | I sat Typ. (A) |
|-----------------|-----------------|--------|--------|----------------------|----------------|---------|----------------|----------------|
| | (μH) | Tol. % | | | | | | |
| SRR0906-2R7M_ | 2.7 | ± 20 | 23 | 7.96M | 85.0 | 0.032 | 3.20 | 5.80 |
| SRR0906-3R5M_ | 3.5 | ± 20 | 23 | 7.96M | 80.0 | 0.036 | 2.90 | 5.20 |
| SRR0906-4R7M_ | 4.7 | ± 20 | 23 | 7.96M | 40.0 | 0.040 | 2.70 | 4.30 |
| SRR0906-5R6M_ | 5.6 | ± 20 | 23 | 7.96M | 57.0 | 0.046 | 2.50 | 4.20 |
| SRR0906-6R8M_ | 6.8 | ± 20 | 23 | 7.96M | 38.0 | 0.050 | 2.30 | 3.40 |
| SRR0906-8R2M_ | 8.2 | ± 20 | 23 | 7.96M | 30.0 | 0.055 | 2.10 | 3.20 |
| SRR0906-100M_ | 10 | ± 20 | 35 | 2.52M | 29.0 | 0.080 | 1.80 | 2.70 |
| SRR0906-120M_ | 12 | ± 20 | 35 | 2.52M | 26.0 | 0.085 | 1.70 | 2.60 |
| SRR0906-150M_ | 15 | ± 20 | 35 | 2.52M | 23.0 | 0.100 | 1.60 | 2.40 |
| SRR0906-180M_ | 18 | ± 20 | 35 | 2.52M | 22.0 | 0.110 | 1.50 | 2.00 |
| SRR0906-220M_ | 22 | ± 20 | 35 | 2.52M | 19.0 | 0.130 | 1.40 | 1.90 |
| SRR0906-270M_ | 27 | ± 20 | 35 | 2.52M | 17.0 | 0.140 | 1.30 | 1.80 |
| SRR0906-330M_ | 33 | ± 20 | 35 | 2.52M | 15.0 | 0.150 | 1.20 | 1.60 |
| SRR0906-390M_ | 39 | ± 20 | 35 | 2.52M | 14.0 | 0.160 | 1.10 | 1.40 |
| SRR0906-470M_ | 47 | ± 20 | 35 | 2.52M | 12.0 | 0.180 | 1.00 | 1.30 |
| SRR0906-560M_ | 56 | ± 20 | 35 | 2.52M | 12.0 | 0.300 | 0.93 | 1.20 |
| SRR0906-680M_ | 68 | ± 20 | 40 | 2.52M | 9.0 | 0.350 | 0.85 | 1.00 |
| SRR0906-820M_ | 82 | ± 20 | 40 | 2.52M | 8.0 | 0.370 | 0.78 | 0.90 |
| SRR0906-101Y_ | 100 | ± 15 | 40 | 0.796M | 7.5 | 0.420 | 0.70 | 0.90 |
| SRR0906-121Y_ | 120 | ± 15 | 40 | 0.796M | 7.0 | 0.480 | 0.65 | 0.75 |
| SRR0906-151Y_ | 150 | ± 15 | 40 | 0.796M | 6.0 | 0.550 | 0.60 | 0.70 |
| SRR0906-181Y_ | 180 | ± 15 | 40 | 0.796M | 5.5 | 0.820 | 0.52 | 0.70 |
| SRR0906-221Y_ | 220 | ± 15 | 40 | 0.796M | 5.0 | 1.000 | 0.48 | 0.60 |
| SRR0906-271Y_ | 270 | ± 15 | 40 | 0.796M | 5.0 | 1.100 | 0.44 | 0.55 |
| SRR0906-331Y_ | 330 | ± 15 | 40 | 0.796M | 4.5 | 1.300 | 0.40 | 0.51 |
| SRR0906-391Y_ | 390 | ± 15 | 40 | 0.796M | 4.2 | 1.400 | 0.38 | 0.50 |
| SRR0906-471Y_ | 470 | ± 15 | 40 | 0.796M | 4.0 | 1.600 | 0.35 | 0.40 |
| SRR0906-561Y_ | 560 | ± 15 | 60 | 0.796M | 3.2 | 2.700 | 0.28 | 0.35 |
| SRR0906-681Y_ | 680 | ± 15 | 60 | 0.796M | 2.7 | 3.200 | 0.25 | 0.33 |
| SRR0906-821Y_ | 820 | ± 15 | 85 | 0.796M | 2.6 | 3.500 | 0.23 | 0.30 |
| SRR0906-102Y_ | 1000 | ± 15 | 100 | 0.252M | 2.3 | 4.000 | 0.22 | 0.26 |
| SRR0906-122Y_ | 1200 | ± 15 | 100 | 0.252M | 2.3 | 4.400 | 0.20 | 0.24 |
| SRR0906-152Y_ | 1500 | ± 15 | 100 | 0.252M | 2.0 | 5.200 | 0.18 | 0.22 |
| SRR0906-182Y_ | 1800 | ± 15 | 100 | 0.252M | 1.7 | 7.000 | 0.17 | 0.20 |
| SRR0906-222Y_ | 2200 | ± 15 | 100 | 0.252M | 1.5 | 8.500 | 0.16 | 0.18 |
| SRR0906-272Y_ | 2700 | ± 15 | 100 | 0.252M | 1.4 | 9.200 | 0.14 | 0.17 |
| SRR0906-332Y_ | 3300 | ± 15 | 100 | 0.252M | 1.3 | 11.000 | 0.12 | 0.15 |
| SRR0906-392Y_ | 3900 | ± 15 | 100 | 0.252M | 1.2 | 16.000 | 0.11 | 0.13 |
| SRR0906-472Y_ | 4700 | ± 15 | 100 | 0.252M | 1.0 | 19.000 | 0.10 | 0.11 |
| SRR0906-562Y_ | 5600 | ± 15 | 100 | 0.252M | 0.9 | 21.000 | 0.09 | 0.11 |
| SRR0906-682Y_ | 6800 | ± 15 | 100 | 0.252M | 0.9 | 24.000 | 0.09 | 0.10 |
| SRR0906-822Y_ | 8200 | ± 15 | 100 | 0.252M | 0.8 | 31.000 | 0.08 | 0.09 |
| SRR0906-103Y_ | 10000 | ± 15 | 100 | 0.0796M | 0.7 | 38.000 | 0.07 | 0.08 |

Multiple windings possible (up to four windings).

Electrical Schematic



DIMENSIONS: $\frac{\text{MM}}{\text{(INCHES)}}$

How to Order

SRR0906 - 100M

Model _____
 Value/Tolerance: from table _____
 Termination _____
 L = Cu/Ni/Sn
 Blank = Cu/Ni/SnPb

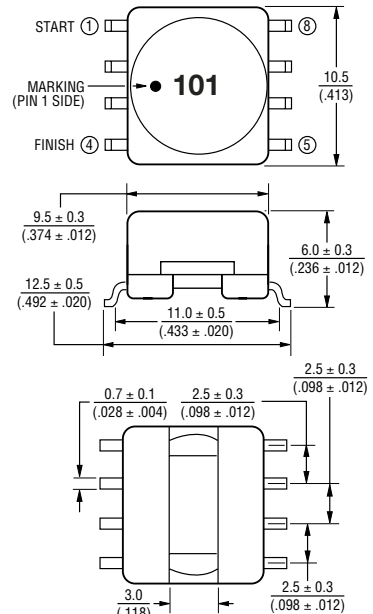
General Specifications

Test Voltage 1 V
 Reflow Soldering.....230 °C, 50 sec. max.
 Operating Temperature...-40 °C to +125 °C
 (Temperature rise included)
 Storage Temperature...-40 °C to +125 °C
 Resistance to Soldering Heat
260 °C for 5 sec.

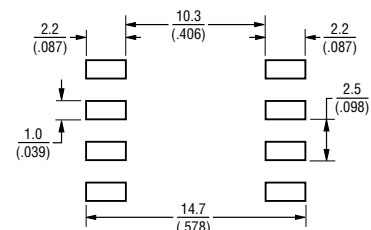
Materials

Core Ferrite DR and RI core
 Wire Enameled copper
 Base LCP
 Terminal See How to Order
 Adhesive Epoxy resin
 Rated Current..Ind. drop 10 % typ. at Isat
 Temperature Rise
40 °C max. at rated I rms
 Packaging.....600 pcs. per reel

Product Dimensions



Recommended Layout

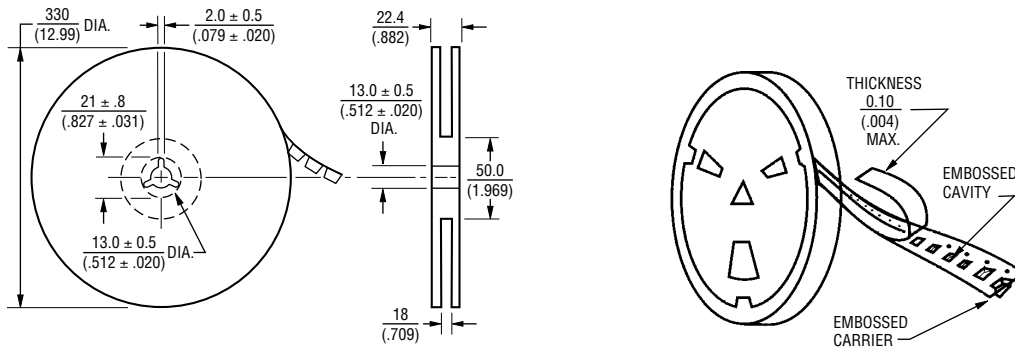


*RoHS Directive 2002/95/EC Jan 27 2003 including Annex
 Specifications are subject to change without notice.
 Customers should verify actual device performance in their specific applications.

SRR0906 Series - Shielded Power Inductors

BOURNS®

Packaging Specifications



DIMENSIONS: $\frac{\text{MM}}{\text{(INCHES)}}$

