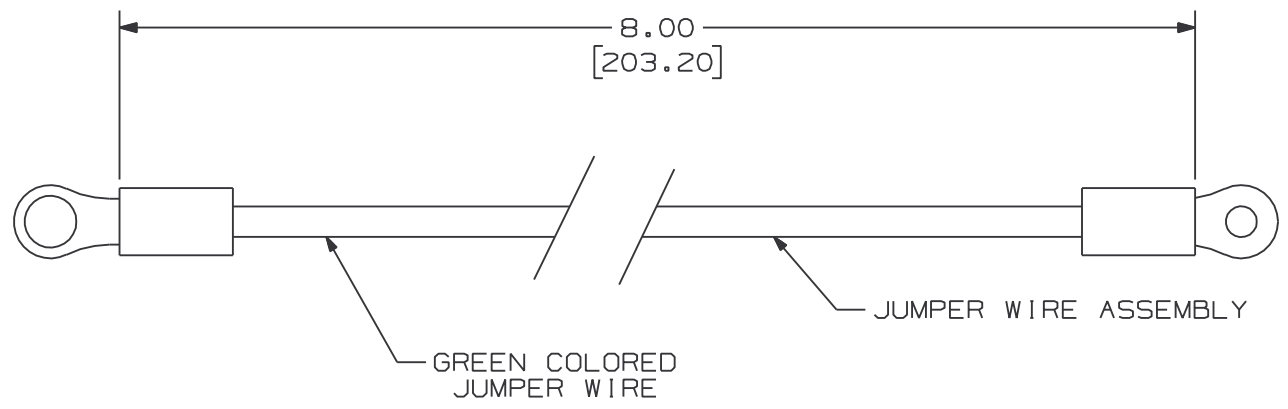


THIS COPY IS PROVIDED ON A RESTRICTED BASIS AND IS NOT TO BE USED IN ANY WAY DETRIMENTAL TO THE INTERESTS OF PANDUIT CORP.

PANDUIT PART NO.	WEIGHT
PGK	.035 LB/ea 15.95 g/ea

NOTES:

1. SEE CURRENT CATALOG FOR ADDITIONAL PART NUMBER SUFFIXES TO INDICATE PACKAGE QUANTITY.
2. GROUNDING KIT INCLUDES:
#6 EXTERNAL TOOTH LOCK WASHER
#6 SPLIT LOCK WASHER
#6-32 MACHINE SCREW NUT
12 AWG JUMPER WIRE ASSEMBLY
3. DIMENSIONS IN PARENTHESES ARE IN METRIC.
4. MATERIAL:
JUMP WIRE - COPPER



CAD FILENAME/LAYERS		M00142CD_DC_00A.PRT	
<h1>PANDUIT</h1> CORP. TINLEY PARK, ILLINOIS			
GROUNDING KIT (PGK) CUSTOMER DRAWING			
UNLESS OTHERWISE SPECIFIED, DIMENSIONAL TOLERANCES ARE: (.X) ± (.XXX) ± .010 (.3) (.XX) ± .03 (.8) ANGLES ±		UNLESS OTHERWISE SPECIFIED, ALL DIMENSIONS ARE GIVEN IN INCHES, THIRD ANGLE PROJECTION.	
DRAWN BY JsP	MAT'L: SEE NOTES	SCALE NONE	
DATE 12-29-00	CHECKED BY	DRAWING NO. 00142-57	DWG SIZE A

REV	DATE	BY	CHK	DESCRIPTION	ECN	CHK	CUST	SUP
R	12-29-00	JsP		RELEASED TO PRODUCTION	00142-57			