

DO NOT SCALE FROM THIS PRINT

NOTES:

- REPRESENTS A CRITICAL DIMENSION.
- BURR ALLOWANCE: .003[.08] MAX.
- PARTS TO BE MOLDED TO POSITION.
- MINIMUM PIN PULLOUT FORCE: 4.000LB[17.79N]
- CONTACT MUST BE INSERTED UNTIL RETENTION FEATURE LOCKS INTO PLACE.
- ALL FINISHED GOODS ARE TO BE ELECTRICAL TESTED INCLUDING HI-POT TEST @ 1000 VOLTS DC. AFTER FINAL ELECTRICAL TEST, LABEL EACH ASSEMBLY WITH 1 LABEL-ET.
- TINNED COPPER WIRE IS ROHS COMPLIANT. **AD**
- PARTS ARE TO BE LAYER PACKAGED.
- MINIMUM METAL LATCH RETENTION FORCE: 1.000LB[4.45N]
- REFER TO CRIMP SPECIFICATIONS PRINT FOR CRIMP AND STRIP DIMENSIONS, TOLERANCES, AND TOOLING.
- FOR LENGTHS LESS THAN 12 IN, TOLERANCE SHALL BE ±.125[3.18]. FOR OTHER LENGTHS, TOLERANCES SHALL BE ±2%.

MMSDX-XX-XXX-X-XX.XX-X-X-XXX

- FEP CABLE OPTION
- F: FEP INSULATION (LEAVE BLANK FOR STANDARD PVC INSULATION)
- OPTION
- SINGLE
 - M: METAL LATCH (USE IPD1-XX-D-X-M) (LEAVE BLANK FOR PLASTIC)
- DOUBLE
 - LUS: PLASTIC LATCH UP, STRAIGHT
 - LDS: PLASTIC LATCH DOWN, STRAIGHT
 - LUX: PLASTIC LATCH UP, CROSSED
 - LDX: PLASTIC LATCH DOWN, CROSSED
 - MUS: METAL LATCH UP, STRAIGHT
 - MDS: METAL LATCH DOWN, STRAIGHT
 - MUX: METAL LATCH UP, CROSSED
 - MDX: METAL LATCH DOWN, CROSSED
- POLARIZATION OPTION
 - (-P, -K, OR -G OPTION IS REQUIRED.)
 - P: POLARIZATION (SEE FIG 3, SHEET 2) (NOT AVAILABLE WITH -LUS, -LDS, -LUX, -K, -G OPTIONS)
 - K: KEYED POLARIZATION (USE IPD1-XX-D-K) (SEE FIG 4, SHEET 2) (NOT AVAILABLE WITH -P, -G OPTIONS)
 - G: GUIDE POST (USE IPD1-XX-D-GP) (SEE FIG 6, SHEET 3) (NOT AVAILABLE WITH -LDS, -LUX, -P, -K OPTIONS)
- PLATING SPECIFICATION
 - F: FLASH SELECTIVE (USE C-179-XX-F)
 - L: LIGHT SELECTIVE (USE C-179-XX-L)
 - S: SELECTIVE (USE C-179-XX-S)
- ASSEMBLED LENGTH
 - SPECIFY IN INCHES [USE DWC-XX-XX]
 - (SINGLE END: 03.00 INCH MINIMUM, DOUBLE END: 03.25 INCH MINIMUM)
- END OPTION
 - S: SINGLE END
 - D: DOUBLE END (MUST CHOOSE FROM LUS, LDS, LUX, LDX, MUS, MDS, MUX, OR MDX)

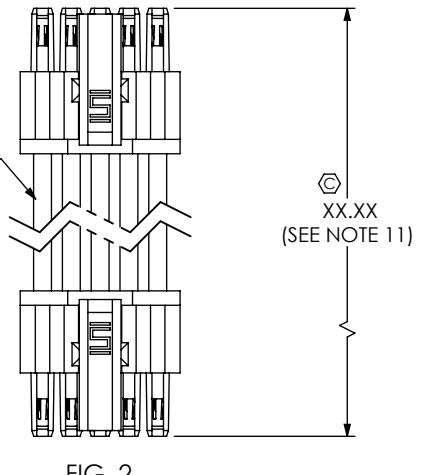
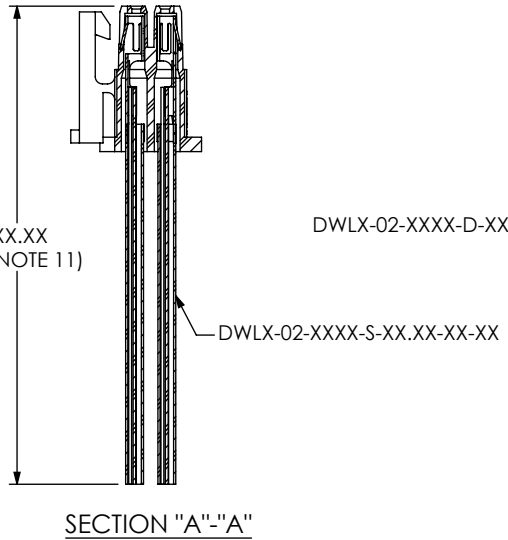
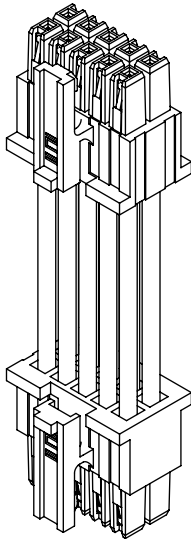
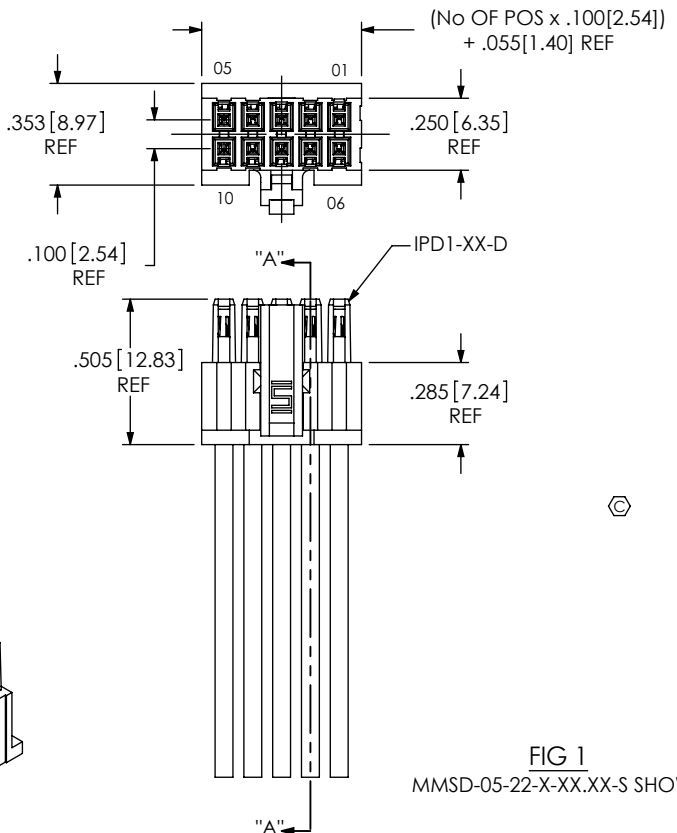



FIG 1
MMSD-05-22-X-XX.XX-S SHOWN

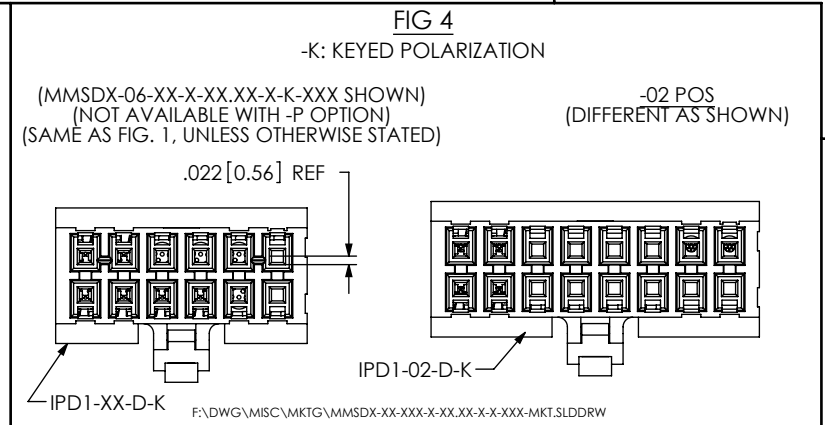
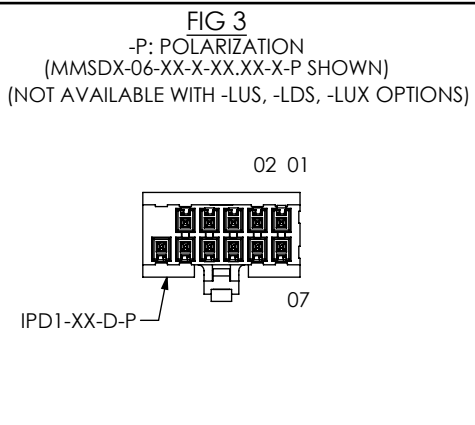
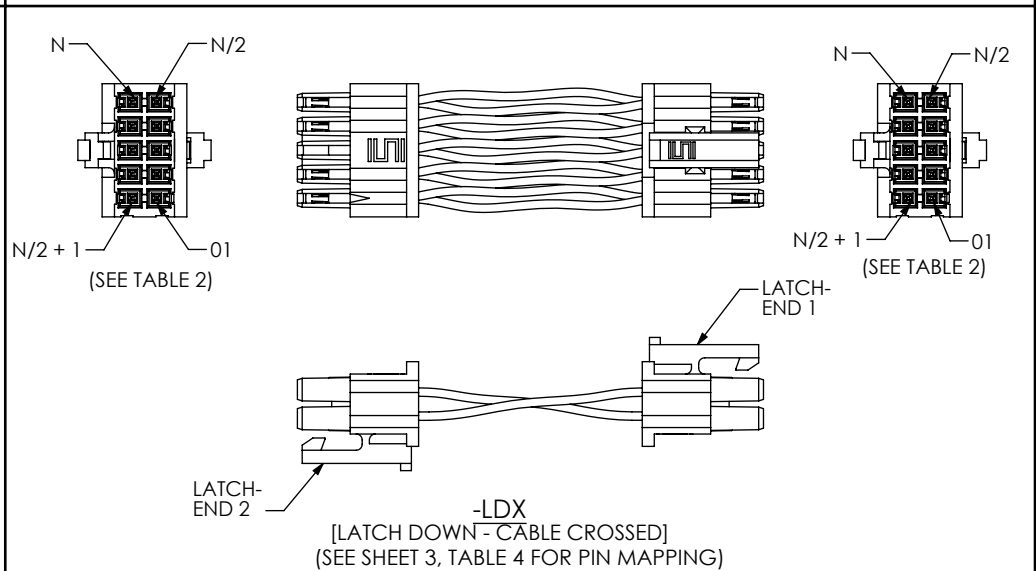
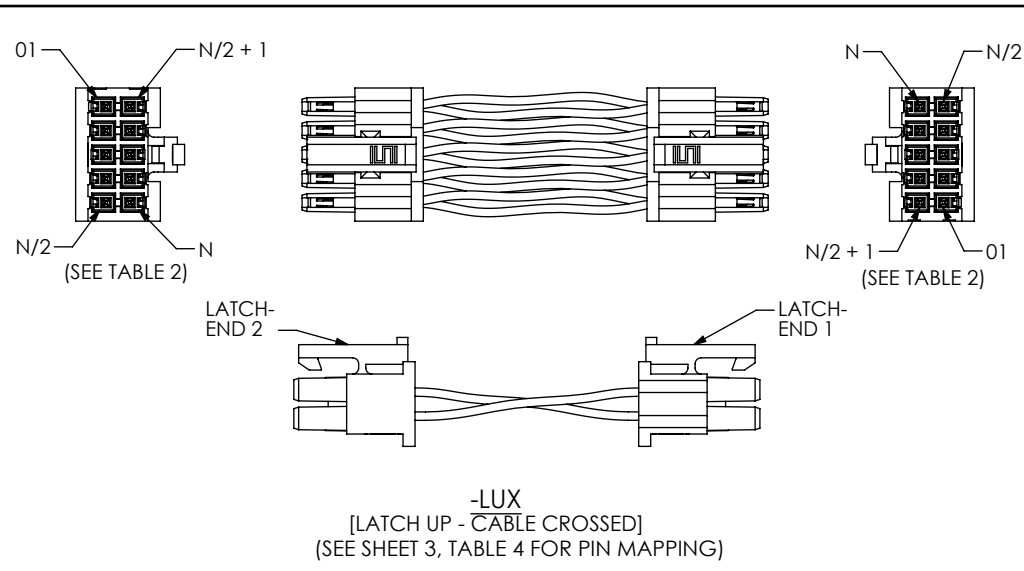
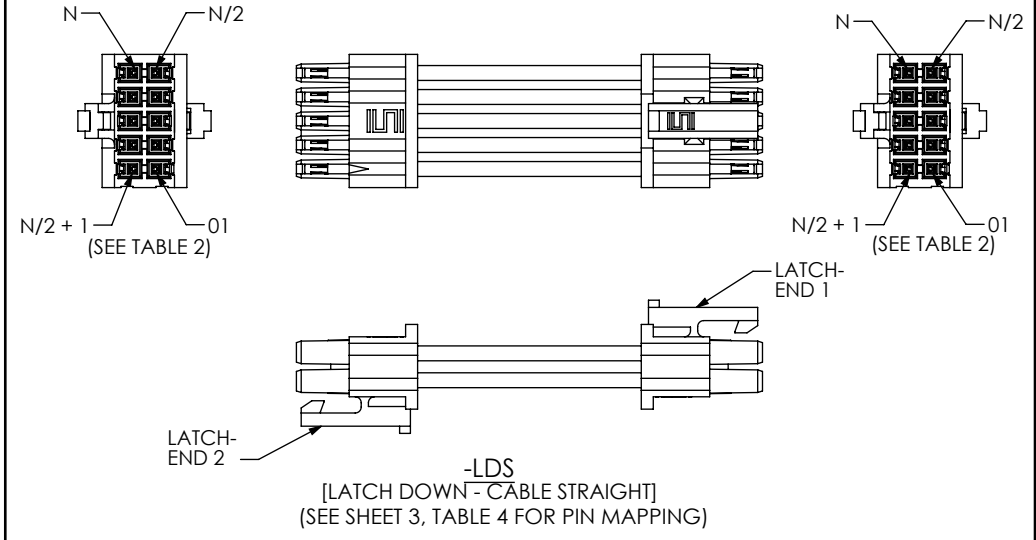
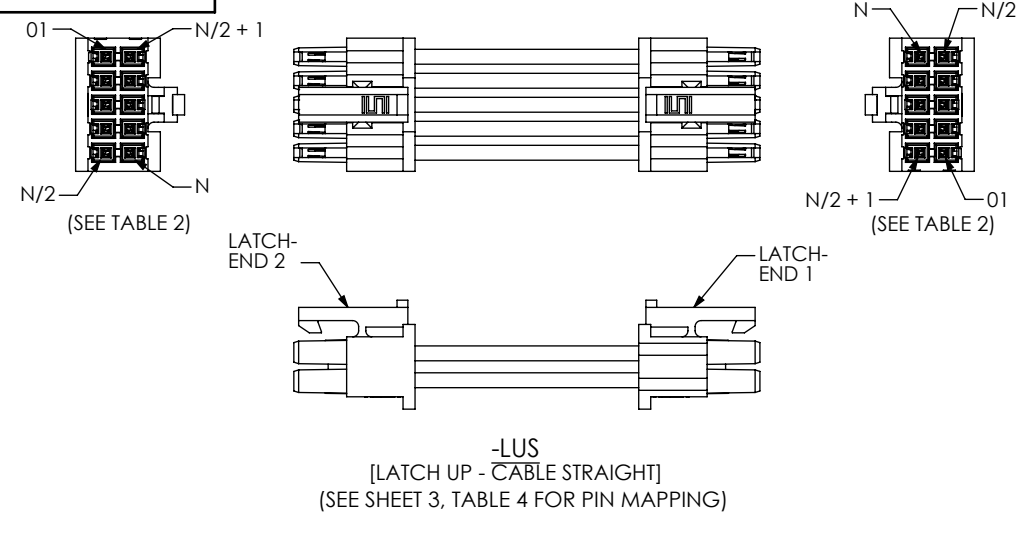
FIG 2
MMSD-05-22-X-XX.XX-D SHOWN

SERIES	WIRE GAUGE	CABLE	CONTACT
MMSD	20 AWG	DWC-20-XX-300	C-179-03-X
MMSD	22 AWG	DWC-22-XX-300	C-179-03-X
MMSD	24 AWG	DWC-24-XX-300	C-179-03-X
MMSD	26 AWG	DWC-26-XX-300	C-179-02-X
MMSD	28 AWG	DWC-28-XX-300	C-179-02-X
MMSD	30 AWG	DWC-30-XX-300	C-179-02-X
MMSDT	20 AWG	DWCT-20-XX	C-179-03-X
MMSDT	24 AWG	DWCT-24-XX	C-179-02-X
MMSDT	28 AWG	DWCT-28-XX	C-179-04-X
MMSDT	30 AWG	DWCT-30-XX	C-179-04-X

F:\DWG\MISC\MKTG\MMSDX-XX-XXX-X-XX.XX-X-X-XXX-MKT.SLDRW

UNLESS OTHERWISE SPECIFIED, DIMENSIONS ARE IN INCHES. TOLERANCES ARE: DECIMALS ANGLES .XX: ±.01 [.3] 2° .XXX: ±.005 [.13] .XXXX: ±.0020 [.051]	PROPRIETARY NOTE THIS DOCUMENT CONTAINS INFORMATION CONFIDENTIAL AND PROPRIETARY TO SAMTEC, INC. AND SHALL NOT BE REPRODUCED OR TRANSFERRED TO OTHER DOCUMENTS OR DISCLOSED TO OTHERS OR USED FOR ANY PURPOSE OTHER THAN THAT WHICH IT WAS OBTAINED WITHOUT THE EXPRESSED WRITTEN CONSENT OF SAMTEC, INC.	 520 PARK EAST BLVD, NEW ALBANY, IN 47150 PHONE: 812-944-6733 FAX: 812-948-5047 e-Mail: info@SAMTEC.com code 55322
HOUSING: NYLON 66, COLOR: WHITE CONTACT: PHOS BRONZE CABLE: INSULATION: SEE CALLOUT WIRE: TINNED COPPER LATCH: NICKEL-PLATED BeCu, #25, 1/2 HT		DESCRIPTION: .100[2.54] SOCKET DISCRETE CABLE ASSEMBLY
DWG. NO. MMSDX-XX-XXX-X-XX.XX-X-X-XXX		BY: DEAN P 07/16/2004 SHEET 1 OF 3

REVISION AD



PROPRIETARY NOTE
THIS DOCUMENT CONTAINS INFORMATION CONFIDENTIAL AND PROPRIETARY TO SAMTEC, INC. AND SHALL NOT BE REPRODUCED OR TRANSFERRED TO OTHER DOCUMENTS OR DISCLOSED TO OTHERS OR USED FOR ANY PURPOSE OTHER THAN THAT WHICH IT WAS OBTAINED WITHOUT THE EXPRESSED WRITTEN CONSENT OF SAMTEC, INC.

DO NOT SCALE DRAWING

SHEET SCALE: 1:25:1

520 PARK EAST BLVD, NEW ALBANY, IN 47150
PHONE: 812-944-6733 FAX: 812-948-5047
e-Mail: info@SAMTEC.com code 55322

DESCRIPTION:
.100[2.54] SOCKET DISCRETE CABLE ASSEMBLY

DWG. NO.
MMSDX-XX-XXX-X-XX.XX-X-X-XXX

BY: DEAN P 07/16/2004 SHEET 2 OF 3

FIG 5
(MMSDX-06-XX-X-XX.XX-S-M SHOWN)
(SAME AS FIG 1, UNLESS OTHERWISE STATED)

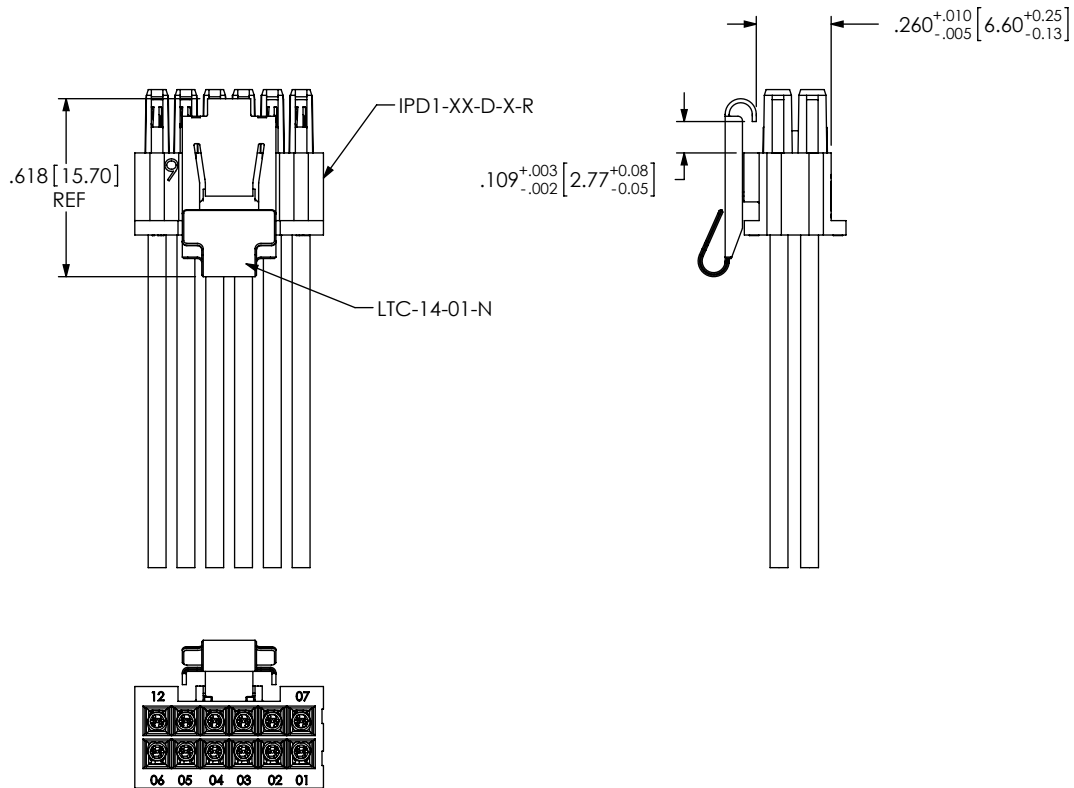


FIG 6
(MMSDX-06-XX-X-XX.XX-S-G SHOWN)
(NOT AVAILABLE WITH -LDS, -LUX, -P, -K OPTIONS)
(SAME AS FIG 1, UNLESS OTHERWISE STATED)

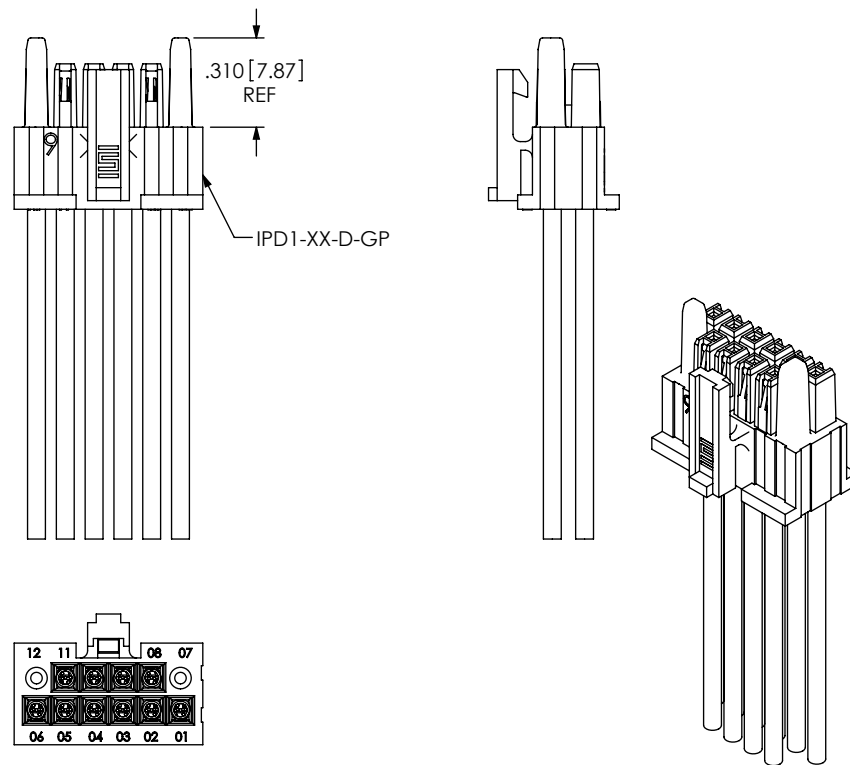


TABLE 3

MMSD COLOR CODED WIRE SEQUENCE

PIN#	COLOR									
	BROWN	RED	ORANGE	YELLOW	GREEN	BLUE	VIOLET	GRAY	WHITE	BLACK
1	2	3	4	5	6	7	8	9	10	
11	12	13	14	15	16	17	18	19	20	
21	22	23	24	25	26	27	28	29	30	
31	32	33	34	35	36	37	38	39	40	
41	42	43	44	45	46	47	48	49	50	

TABLE 2

No. OF POSITIONS	N	N/2	N/2 + 1
-05	10	5	6
-07	14	7	8
-10	20	10	11
-15	30	15	16
-20	40	20	21
-25	50	25	26

Table 4- Pin Mapping

End Option (Double)	END 1	END 2
-LUS	01	N/2
-LDS	01	N/2+1
-LUX	01	N
-LDX	01	01
-MUS	01	N/2
-MDS	01	N/2+1
-MUX	01	N
-MDX	01	01

PROPRIETARY NOTE

THIS DOCUMENT CONTAINS INFORMATION CONFIDENTIAL AND PROPRIETARY TO SAMTEC, INC. AND SHALL NOT BE REPRODUCED OR TRANSFERRED TO OTHER DOCUMENTS OR DISCLOSED TO OTHERS OR USED FOR ANY PURPOSE OTHER THAN THAT WHICH IT WAS OBTAINED WITHOUT THE EXPRESSED WRITTEN CONSENT OF SAMTEC, INC.

DO NOT SCALE DRAWING

SHEET SCALE: 2:1



520 PARK EAST BLVD, NEW ALBANY, IN 47150
PHONE: 812-944-6733 FAX: 812-948-5047
e-Mail: info@SAMTEC.com code 55322

DESCRIPTION:
.100[2.54] SOCKET DISCRETE CABLE ASSEMBLY

DWG. NO.
MMSDX-XX-XXX-X-XX.XX-X-X-XXX

BY: DEAN P 07/16/2004 SHEET 3 OF 3