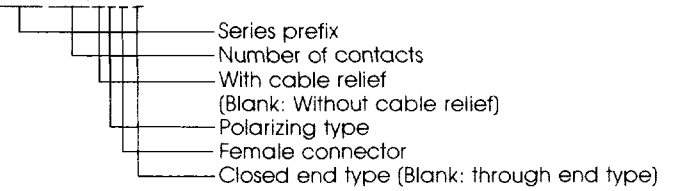
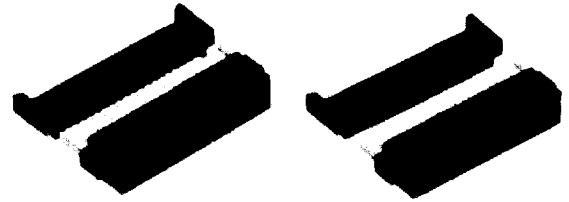
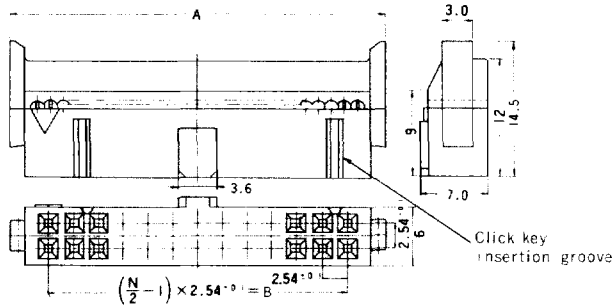


POLARIZING TYPE FEMALE CONNECTOR FOR FLAT CABLE

Part No. (Ordering No.)
MFC-()RPF



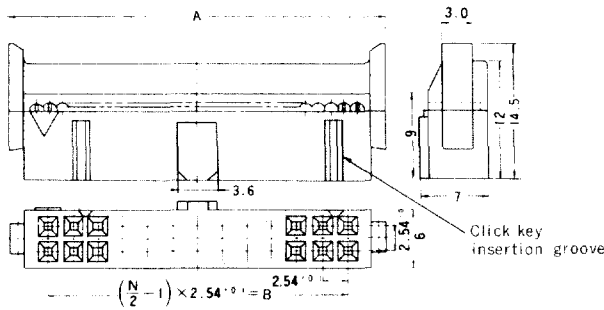
MFC-()PF



MPC-20PF

MFC-20PFC

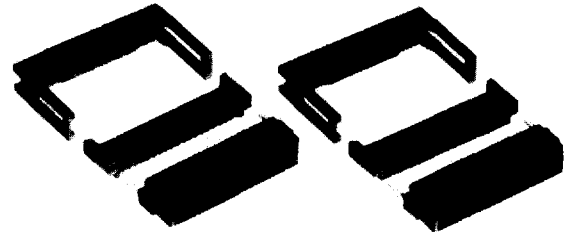
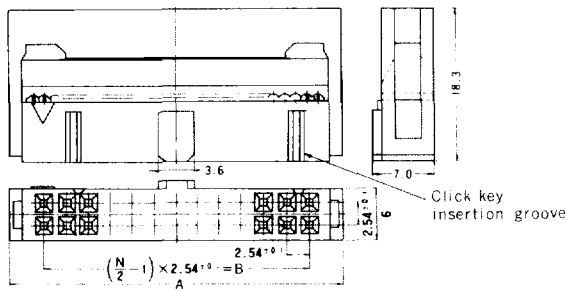
MFC-()PFC



| Part No. | A | B |
|----------------------------|-------|-------|
| MFC-10PF, PFV, PFC, PFCV | 17.27 | 10.16 |
| * MFC-14PF, PFV, PFC, PFCV | 22.4 | 15.24 |
| MFC-16PF, PFV, PFC, PFCV | 24.89 | 17.78 |
| MFC-20PF, PFV, PFC, PFCV | 30.0 | 22.86 |
| MFC-26PF, PFV, PFC, PFCV | 37.6 | 30.48 |
| MFC-30PF, PFV, PFC, PFCV | 42.7 | 35.56 |
| MFC-34PF, PFV, PFC, PFCV | 47.8 | 40.64 |
| MFC-40PF, PFV, PFC, PFCV | 55.4 | 48.26 |
| MFC-50PF, PFV, PFC, PFCV | 68.1 | 60.96 |
| * MFC-60PF, PFV, PFC, PFCV | 80.8 | 73.66 |
| * MFC-64PF, PFV, PFC, PFCV | 85.9 | 78.74 |

* : planning stage

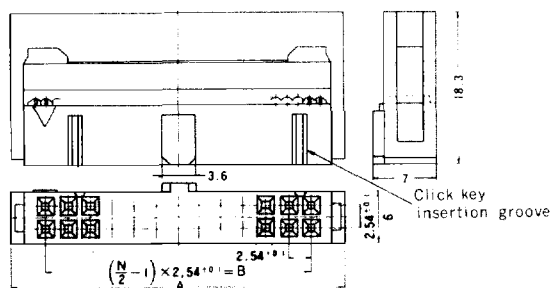
MFC-()RPF



MFC-20RPF

MFC-20RPFC

MFC-()RPFC



| Part No. | A | B |
|--------------------------------|-------|-------|
| MFC-10RPF, RPFV, RPFC, RPFCV | 17.27 | 10.16 |
| * MFC-14RPF, RPFV, RPFC, RPFCV | 22.4 | 15.24 |
| MFC-16RPF, RPFV, RPFC, RPFCV | 24.89 | 17.78 |
| MFC-20RPF, RPFV, RPFC, RPFCV | 30.0 | 22.86 |
| MFC-26RPF, RPFV, RPFC, RPFCV | 37.6 | 30.48 |
| MFC-30RPF, RPFV, RPFC, RPFCV | 42.7 | 35.56 |
| MFC-34RPF, RPFV, RPFC, RPFCV | 47.8 | 40.64 |
| MFC-40RPF, RPFV, RPFC, RPFCV | 55.4 | 48.26 |
| MFC-50RPF, RPFV, RPFC, RPFCV | 68.1 | 60.96 |
| * MFC-60RPF, RPFV, RPFC, RPFCV | 80.8 | 73.66 |
| * MFC-64RPF, RPFV, RPFC, RPFCV | 85.9 | 78.74 |

* : planning stage

10-contacts connector has no groove for click key insertion.