

# CA139, CA239 CA339, LM339\*

Quad Voltage Comparators for Industrial,  
Commercial and Military Applications

March 1993

### Features

- Operation from Single or Dual Supplies
- Common Mode Input voltage Range to GND
- Output Voltage Compatible with TTL, DTL, ECL, MOS and CMOS
- Differential Input Voltage Range Equal to the Supply Voltage
- Maximum Input Offset Voltage ( $V_{IO}$ )
  - CA139A, CA239A, CA339A ..... 2mV
  - CA139, CA239, CA339 ..... 5mV
- Replacement for Industry Types 139, 239, 339, 139A, 239A, 339A

### Applications

- Square Wave Generator
- Time Delay Generators
- Pulse Generators
- Multivibrators
- High Voltage Digital Logic Gates
- A/D Converters
- MOS Clock Timers

### Description

The CA139, CA239, CA339, CA139A, CA239A, and CA339A types consist of four independent single or dual supply voltage comparators on a single monolithic substrate. The common mode input voltage range includes ground even when operated from a single supply, and the low power supply current drain makes these comparators suitable for battery operation. These types were designed to directly interface with TTL and CMOS.

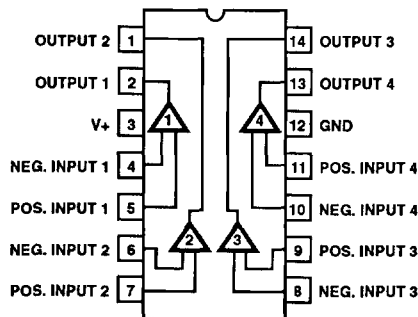
Types CA139A, CA239A, and CA339A have all the features and characteristics of their prototype counterparts CA139, CA239, and CA339 plus an even lower input offset voltage characteristic. These devices are supplied in a 14 lead Small Outline package (M suffix), in a 14 lead dual-in-line plastic package (E suffix) and in a 14 lead dual-in-line hermetic (frit seal) ceramic package (F suffix). The CA339 is also available in chip form (H suffix).

\*Technical data on LM339 is identical to CA339.

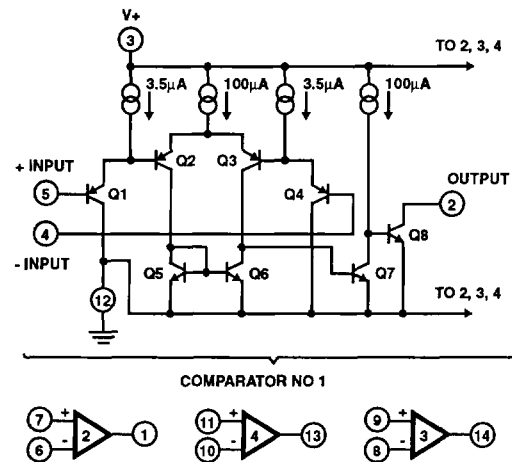
3  
COMPARATORS

### Pinout

CA139, CA139A, CA239, CA239A, CA339 (PDIP, CDIP, SOIC)  
CA339A (PDIP SOIC)  
LM339, LM339A (PDIP)  
TOP VIEW



### Schematic Diagram



## Specifications CA139, CA139A, CA239, CA239A, CA339, CA339A, LM339, LM339A

### Absolute Maximum Ratings

Supply Voltage	36V or ±18V
Differential Input Voltage	36V
Input Voltage	-0.3V to +36V
Input Current ( $V_I < -0.3V$ ) Note 4	50mA
Output Short Circuit Duration (Single Supply) Note 5	Continuous
Junction Temperature	+175°C
Junction Temperature (Plastic Package)	+150°C
Lead Temperature (Soldering 10 Sec.)	+300°C

### Operating Conditions

Operating Temperature Range	-55°C to +125°C	
Storage Temperature Range	-65°C to +150°C	
Thermal Package Characteristics (°C/W)	$\theta_{JA}$	$\theta_{JC}$
Ceramic DIP Package	71	14
Plastic DIP Package	107	38
SOIC Package	119	36

**CAUTION:** Stresses above those listed in "Absolute Maximum Ratings" may cause permanent damage to the device. This is a stress only rating and operation of the device at these or any other conditions above those indicated in the operational sections of this specification is not implied.

### Electrical Specifications $V_+ = 5V$ , Unless Otherwise Specified

PARAMETER	SYMBOL	CONDITION	LIMITS						UNITS	
			CA139			CA139A				
			MIN	TYP	MAX	MIN	TYP	MAX		
Input Offset Voltage	$V_{IO}$	$V_{REF} = 1.4V, R_S = 0,$ Output Switch Point $V \cong 1.4V$	$T_A = +25^\circ C$	-	2	5	-	1	2	mV
			Note 1	-	-	9	-	-	4	mV
Differential Input Voltage	$V_{ID}$	Keep All Inputs $\geq 0V$ for $V_-$ (if used), Notes 1, 2	-	-	36	-	-	36	V	
Saturation Voltage	$V_{SAT}$	$V_I = 1V, V_{I+} = 0V,$ $I_{SINK} \leq 4mA$	$T_A = +25^\circ C$	-	250	400	-	250	400	mV
			Note 1	-	-	700	-	-	700	mV
Common Mode Input Voltage Range	$V_{ICR}$	Note 3	$T_A = +25^\circ C$	0	-	$V_+ - 1.5$	0	-	$V_+ - 1.5$	V
			Note 1	0	-	$V_+ - 2$	0	-	$V_+ - 2$	V
Input Offset Current	$I_{IO}$	$I_{I+} - I_{I-}$	$T_A = +25^\circ C$	-	3	25	-	3	25	nA
			Note 1	-	-	100	-	-	100	nA
Input Bias Current	$I_{IB}$	$I_{I+}$ or $I_{I-}$ with Output in Linear Range	$T_A = +25^\circ C$	-	25	100	-	25	100	nA
			Note 1	-	-	300	-	-	300	nA
Total Supply Current	$I_+$	$R_L = \infty$ on All Comparators, $T_A = +25^\circ C$	-	0.8	2	-	0.8	2	mA	
Output Leakage Current		$V_{I+} \geq 1V, V_{I-} = 0V,$ $V_O = 5V$	$T_A = +25^\circ C$	-	0.1	-	-	0.1	-	nA
		$V_{I+} \geq 1V, V_{I-} = 0V,$ $V_O = 30V$	Note 1	-	-	1	-	-	1	$\mu A$
Output Sink Current		$V_{I-} \geq 1V, V_{I+} = 0V, V_O \leq 1.5V,$ $T_A = +25^\circ C$	6	16	-	6	16	-	mA	
Voltage Gain	$A_{OL}$	$R_L \geq 15k\Omega, V_+ = 15V, T_A = +25^\circ C$	-	200	-	50	200	-	V/mV	
Large Signal Response Time		$V_I = TTL$ Logic Swing, $V_{REF} = 1.4V,$ $V_{RL} = 5V, R_L = 5.1k\Omega, T_A = +25^\circ C$	-	300	-	-	300	-	ns	
Response Time (Figures 3 and 4)		$V_{RL} = 5V, R_L = 5.1k\Omega, T_A = +25^\circ C$	-	1.3	-	-	1.3	-	$\mu s$	

### Electrical Specifications $V_+ = 5V$ , Unless Otherwise Specified

PARAMETER	SYMBOL	CONDITION	LIMITS						UNITS	
			CA239, CA339			CA239A, CA339A				
			MIN	TYP	MAX	MIN	TYP	MAX		
Input Offset Voltage	$V_{IO}$	$V_{REF} = 1.4V, R_S = 0,$ Output Switch Point $V \cong 1.4V$	$T_A = +25^\circ C$	-	2	5	-	1	2	mV
			Note 1	-	-	9	-	-	4	mV

**Specifications CA139, CA139A, CA239, CA239A, CA339, CA339A, LM339, LM339A**

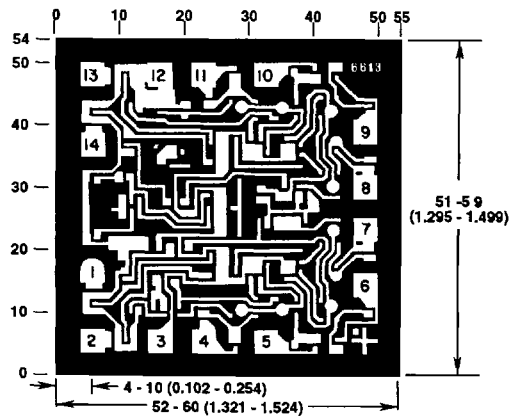
**Electrical Specifications**  $V+ = 5V$ , Unless Otherwise Specified (Continued)

PARAMETER	SYMBOL	CONDITION	LIMITS						UNITS	
			CA239, CA339			CA239A, CA339A				
			MIN	TYP	MAX	MIN	TYP	MAX		
Differential Input Voltage	$V_{ID}$	Keep All Inputs $\geq 0V$ for $V-$ (if used), Notes 1, 2	-	-	36	-	-	36	V	
Saturation Voltage	$V_{SAT}$	$V_{I-} = 1V, V_{I+} = 0V,$ $I_{SINK} \leq 4mA$	$T_A = +25^\circ C$	-	250	400	-	250	400	mV
			Note 1	-	-	700	-	-	700	mV
Common Mode Input Voltage Range	$V_{ICR}$	Note 3	$T_A = +25^\circ C$	0	-	$V+ - 1.5$	0	-	$V+ - 1.5$	V
			Note 1	0	-	$V+ - 2$	0	-	$V+ - 2$	V
Input Offset Current	$I_{IO}$	$I_{I+} - I_{I-}$	$T_A = +25^\circ C$	-	5	50	-	5	50	nA
			Note 1	-	-	150	-	-	150	nA
Input Bias Current	$I_{IB}$	$I_{I+}$ or $I_{I-}$ with Output in Linear Range	$T_A = +25^\circ C$	-	25	250	-	25	250	nA
			Note 1	-	-	400	-	-	400	nA
Total Supply Current	$I+$	$R_L = \infty$ on All Comparators, $T_A = +25^\circ C$	-	0.8	2	-	0.8	2	mA	
Output Leakage Current		$V_{I+} \geq 1V, V_{I-} = 0V,$ $V_O = 5V$	$T_A = +25^\circ C$	-	0.1	-	-	0.1	-	nA
		$V_{I+} \geq 1V, V_{I-} = 0V,$ $V_O = 30V$	Note 1	-	-	1	-	-	1	$\mu A$
Output Sink Current		$V_{I-} \geq 1V, V_{I+} = 0V, V_O \leq 1.5V,$ $T_A = +25^\circ C$	6	16	-	6	16	-	mA	
Voltage Gain	$A_{OL}$	$R_L \geq 15k\Omega, V+ = 15V, T_A = +25^\circ C$	-	200	-	50	200	-	V/mV	
Large Signal Response Time		$V_I =$ TTL Logic Swing, $V_{REF} = 1.4V,$ $V_{RL} = 5V, R_L = 5.1k\Omega, T_A = +25^\circ C$	-	300	-	-	300	-	ns	
Response Time (Figures 3 and 4)		$V_{RL} = 5V, R_L = 5.1k\Omega, T_A = +25^\circ C$	-	1.3	-	-	1.3	-	$\mu s$	

**NOTES:**

1. Ambient Temperature ( $T_A$ ) applicable over operating temperature range as shown below.  
CA139, CA139A =  $-55^\circ C$  to  $+125^\circ C$ ; CA239, CA239A =  $-25^\circ C$  to  $+85^\circ C$ ; CA339, CA339A =  $0^\circ C$  to  $+70^\circ C$
2. The comparator will provide a proper output state even if the positive swing of the inputs exceeds the power supply voltage level, if the other input remains within the common mode voltage range. The low input voltage state must not be less than  $-0.3V$  (or  $0.3V$  below the magnitude of the negative power supply, if used).
3. The upper end of the common mode voltage range is  $(V+) - 1.5V$ , but either or both inputs can go to  $+30V$  without damage.
4. Inputs must not go more negative than  $-0.3V$ .
5. Short circuits from the output to  $V+$  can cause excessive heating and eventual destruction. The maximum output current independent of  $V+$  is approximately  $20mA$ .

**Metallization Mask Layout**



NOTE: Dimensions in parentheses are in mm and are derived from the basic in. dimensions as indicated. Grid graduations are in mils ( $10^{-3}$  inch).

Typical Performance Curves

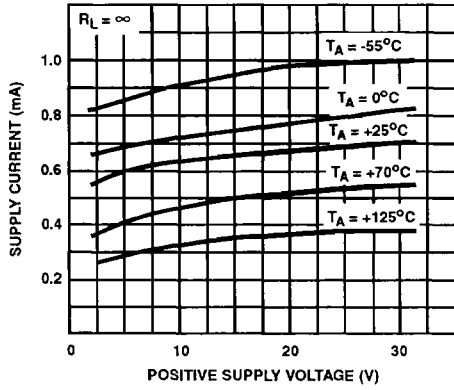


FIGURE 1. SUPPLY CURRENT vs SUPPLY VOLTAGE

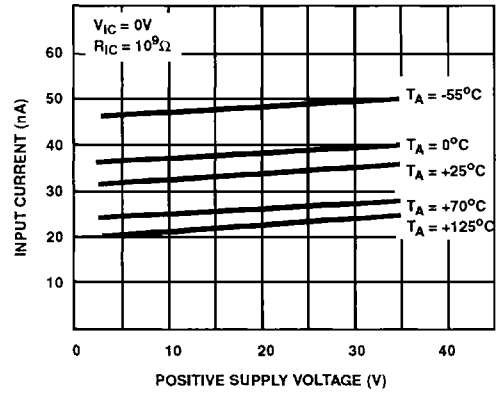


FIGURE 2. INPUT CURRENT vs SUPPLY VOLTAGE

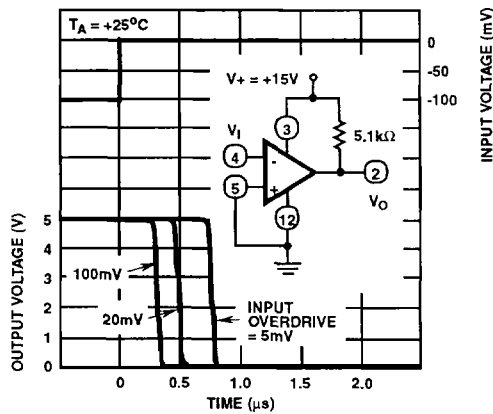


FIGURE 3. RESPONSE TIME FOR VARIOUS INPUT OVERDRIVES - NEGATIVE TRANSITION

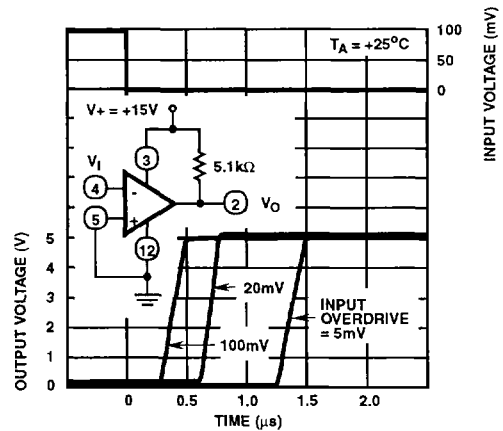


FIGURE 4. RESPONSE TIME FOR VARIOUS INPUT OVERDRIVES - POSITIVE TRANSITION

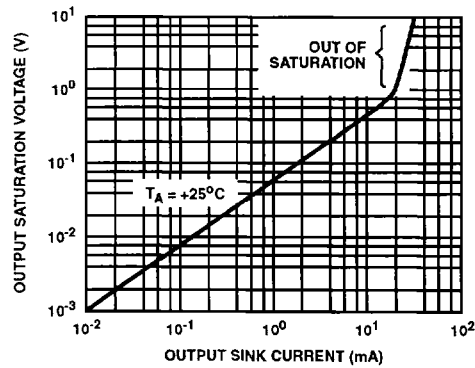


FIGURE 7. OUTPUT SATURATION VOLTAGE vs OUTPUT SINK CURRENT