

High Density PCB and Cable Connectors with Bayonet Keying

- 4 row PCB connectors
- 14/30/54/78/106 ways
- Quarter turn locking
- Horizontal or vertical fixing
- Hyperboloid contacts, contact diameter 0.5 mm
- Solder cup, TBS
- 3way with coaxial contacts
- RoHS compliant

Technical Characteristics

Contacts

Contact type	hyperboloid contacts 0,5 mm
Material	Brass
Plating	2µm Ni + 1,27 µm Au
Nominal current	3 Amp.
Contact resistance	<6 mΩ
Interruption under vibration	<2 ns
Mating cycles	≥1000

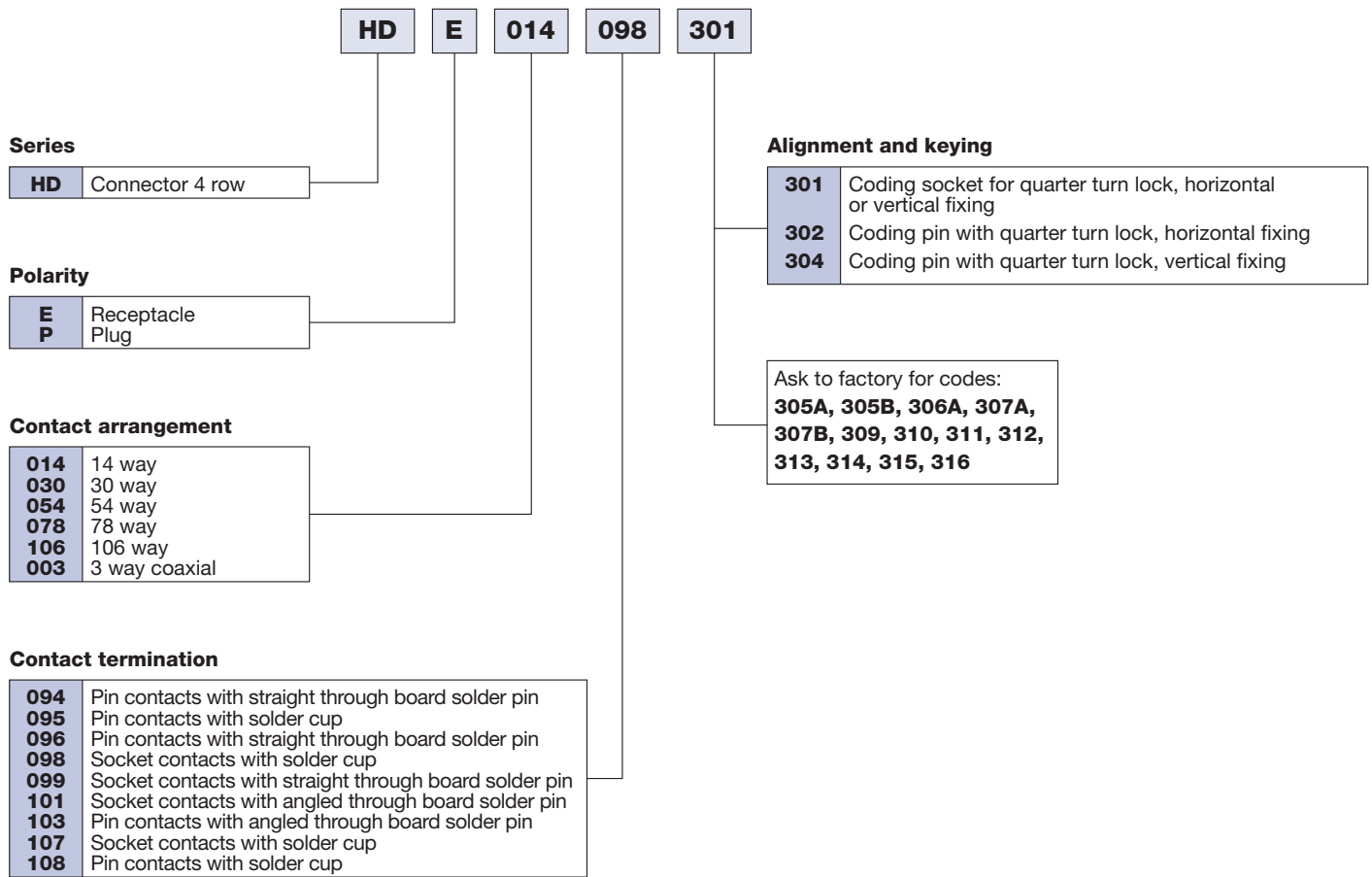
Insulating Body

Material	PPS
Deformation resistance	260°C
UL temperature index	200/220°C
Insulation resistance	1 x 10 ¹⁵ Ωcm
Dielectric strength	17 kV/mm
Flamability UL94	V-0
MIL-specification	MIL 46174(MR) Typ E
Pitch	1,905 mm center-to-center-spacing 1,65 mm row-to-row-spacing

Fixing

Material	Stainless steel
Alignment and keying	Guiding pin and socket
Coding	Guide lug and slot/ 4 coding possibilities per guide element
Locking	Bayonet locking or threaded connection without coding
PCB fixing	Optional: horizontal or vertical

Ordering Information



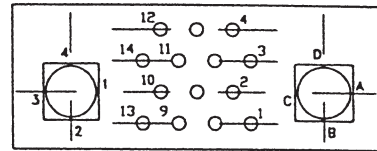
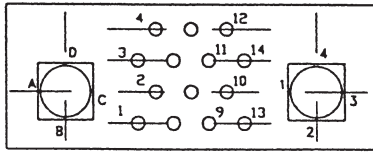
Alignment and keying

View mating side

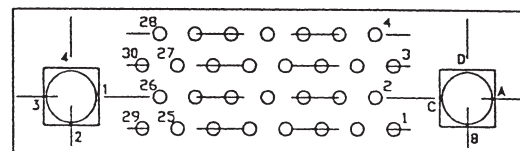
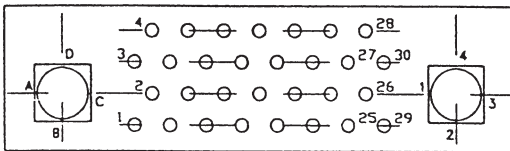
Plug (male)

Receptacle (female)

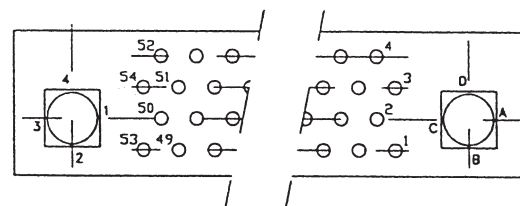
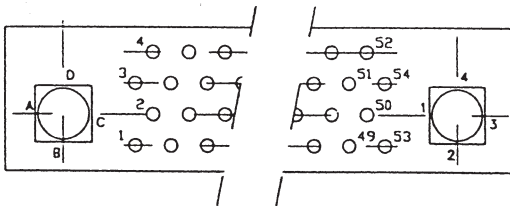
14 ways



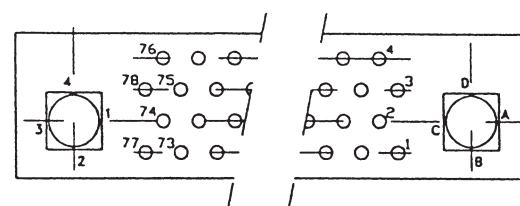
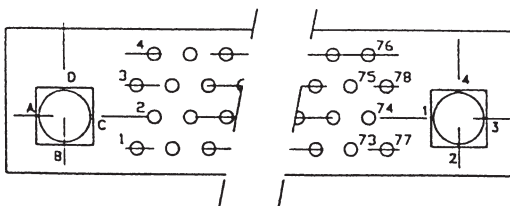
30 ways



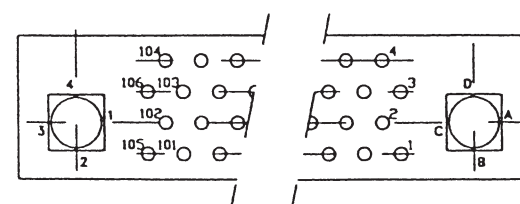
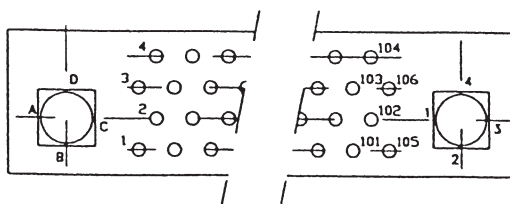
54 ways



78 ways

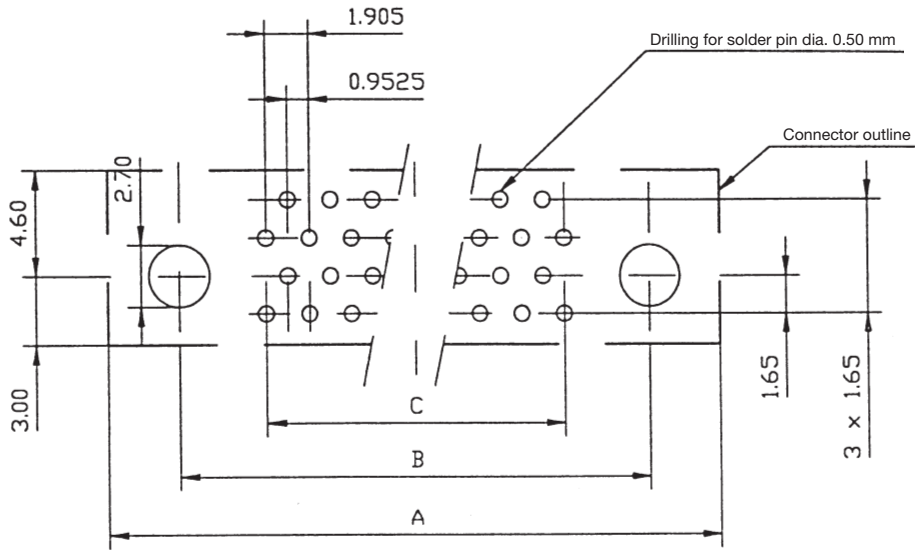


106 ways

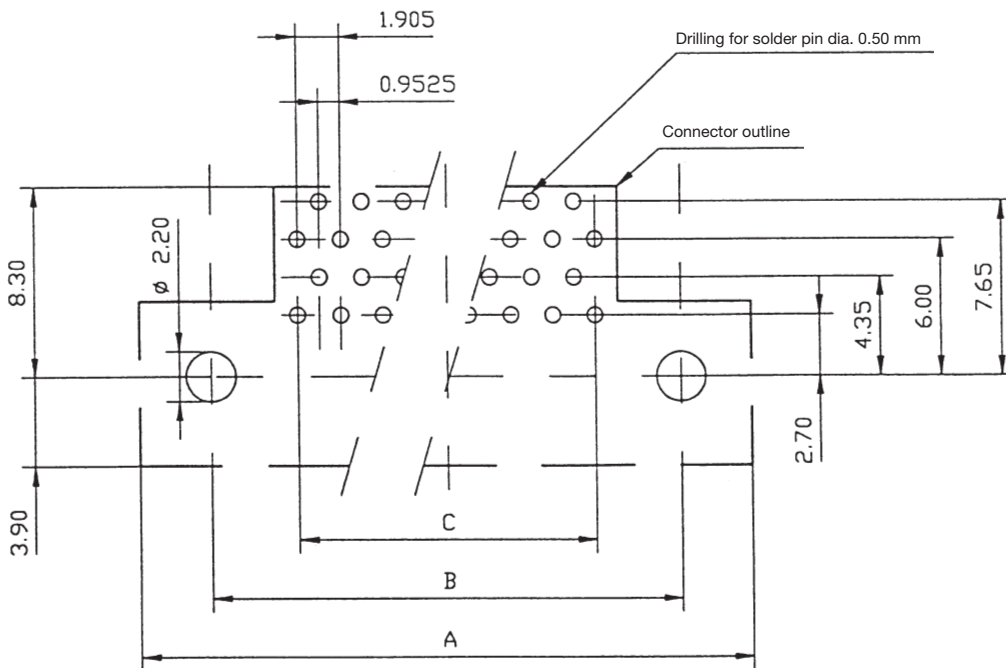


PCB layout

For straight solder connection (termination styles 096 or 099)



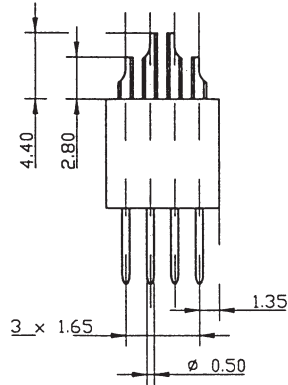
For through board solder connection 90° (termination styles 101 or 103)



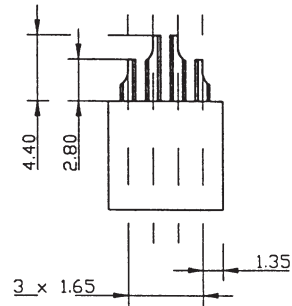
No. of ways	14	30	54	78	106
A	19.7	27.3	38.7	50.2	63.5
B	13.335	20.955	32.385	43.815	57.15
C	5.715	24.765	24.765	36.195	49.53

Termination styles

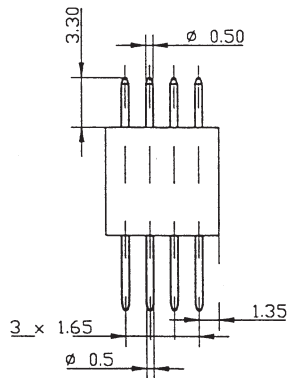
095 - Pins with solder cup (AWG 26)



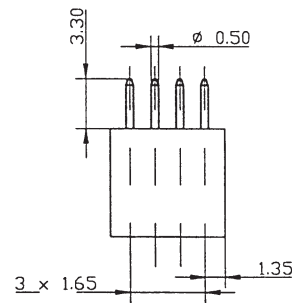
098 - Sockets with solder cup (AWG 26)



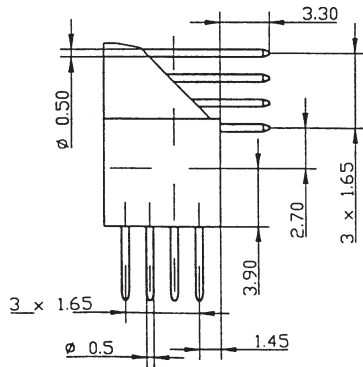
096 - Pins with straight solder pin



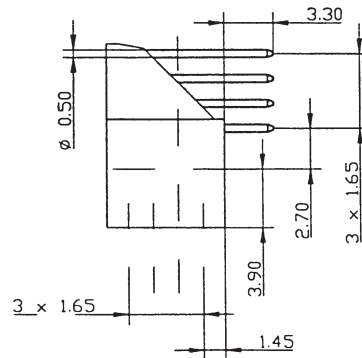
099 - Sockets with straight solder pin



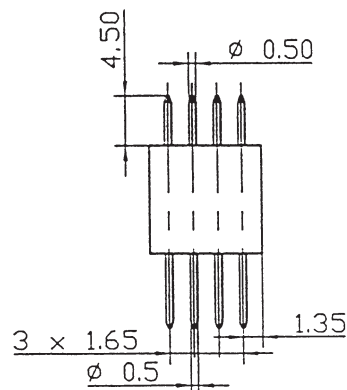
103 - Pins with through board solder 90°



101 - Sockets with through board solder 90°



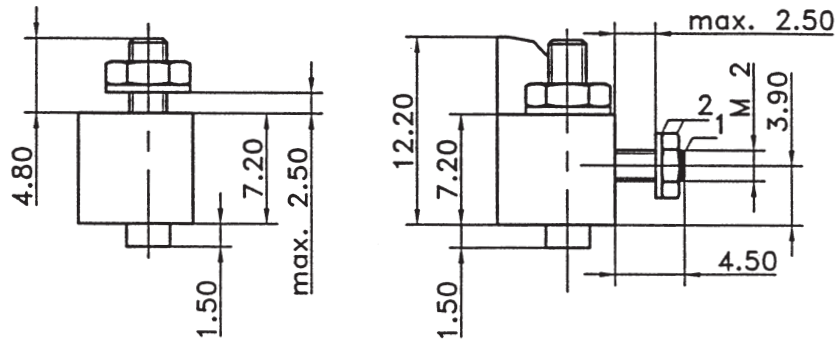
094 - Pins with straight solder pin



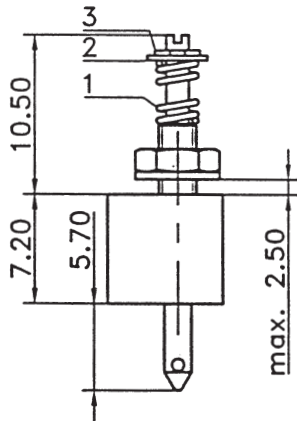
Dimensions are in mm

Guiding styles

301 - Guiding socket for bayonet nut locking, horizontal or vertical fixing (screw (1), washer and screw nut (2) are included in delivery)



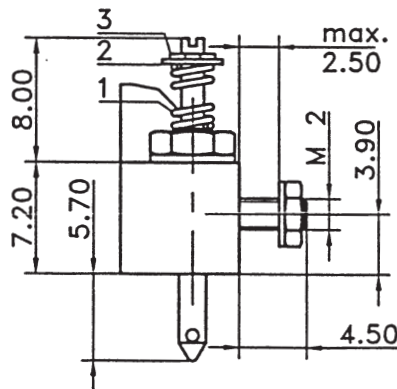
302 - Guiding pin for bayonet nut locking, horizontal fixing



Spare parts fixing **Part number**

1) Compression spring	040.044.1000
2) Washer DIN 433	050.069.1000
3) Slip washer DIN 6799	050.070.1000

304 - Guiding pin for bayonet nut locking, vertical fixing



Spare parts fixing **Part number**

1) Compression spring	040.044.1000
2) Washer DIN 433	050.069.1000
3) Slip washer DIN 6799	050.070.1000

PCB connectors with coaxial contacts

Technical Characteristics

Coaxial contacts

Impedance: 50 Ω

Insulation resistance: 5000 M Ω

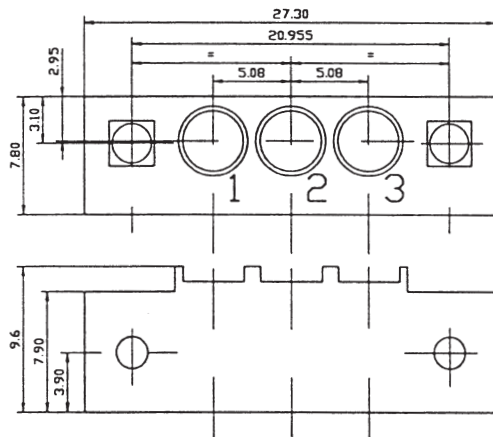
Operating frequency: 1 GHz

Operating temperature range: -55 °C to +125 °C

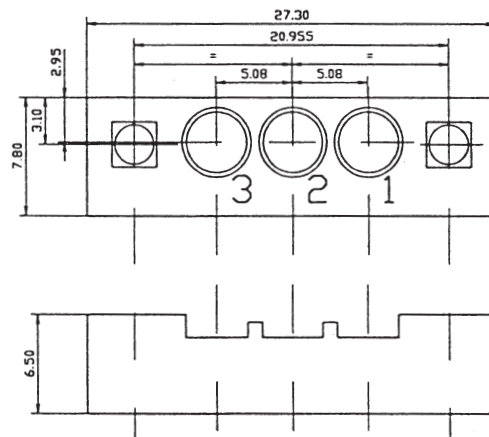
Nominal voltage: 180 V eff.

Mating cycles: ≥ 500

Dimensions receptacle 3 ways
HDE 003

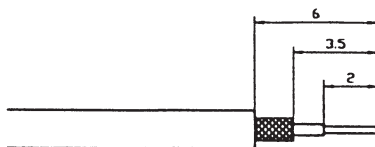


Dimensions plug 3 ways
HDP 003



Cable assembly (solder connection)

RG 178 B/U



UT 85

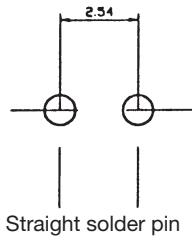
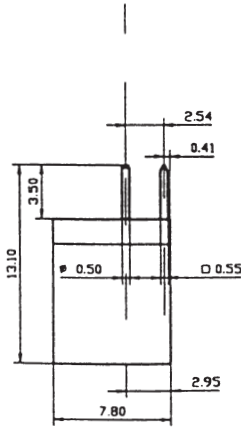


Dimensions are in mm

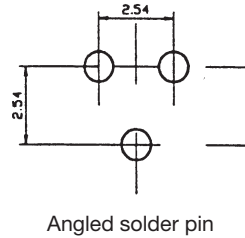
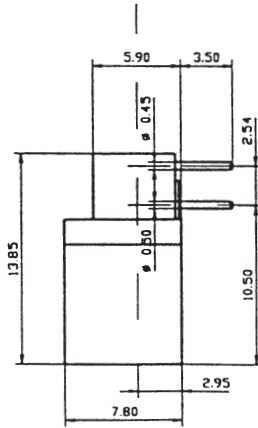
PCB connectors with coaxial contacts

Termination styles for socket contacts

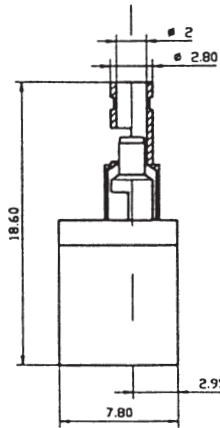
HDE 003 099 ...



HDE 003 101 ...

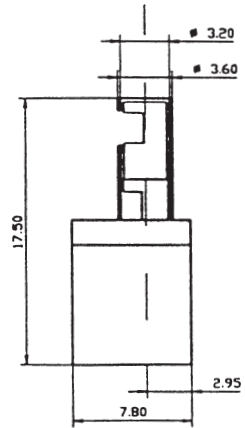


HDE 003 098 ...



Solder connection for RG 178 B/U

HDE 003 107 ...

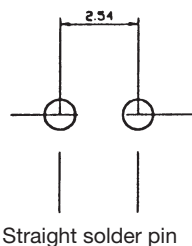
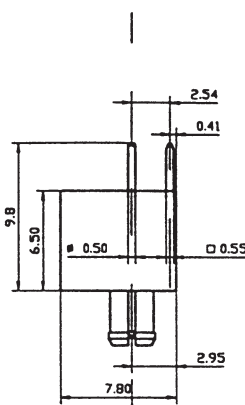


Solder connection for UT 85

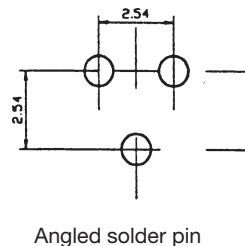
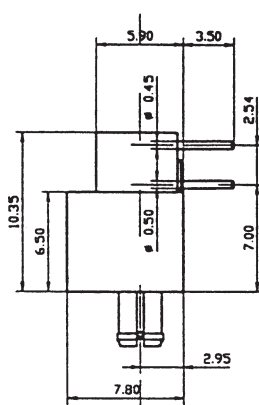
PCB Layouts

Termination styles for pin contacts

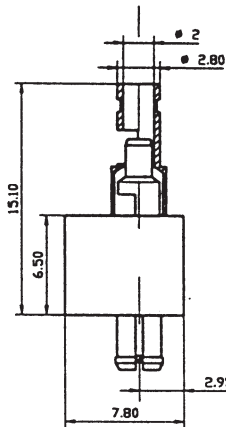
HDE 003 096 ...



HDE 003 103 ...

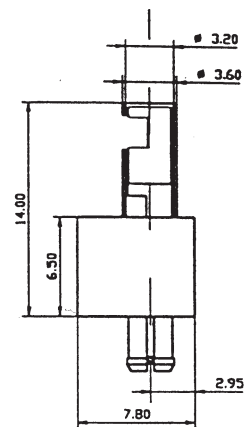


HDE 003 095 ...



Solder connection for RG 178 B/U

HDE 003 108 ...



Solder connection for UT 85

PCB Layouts

Dimensions are in mm