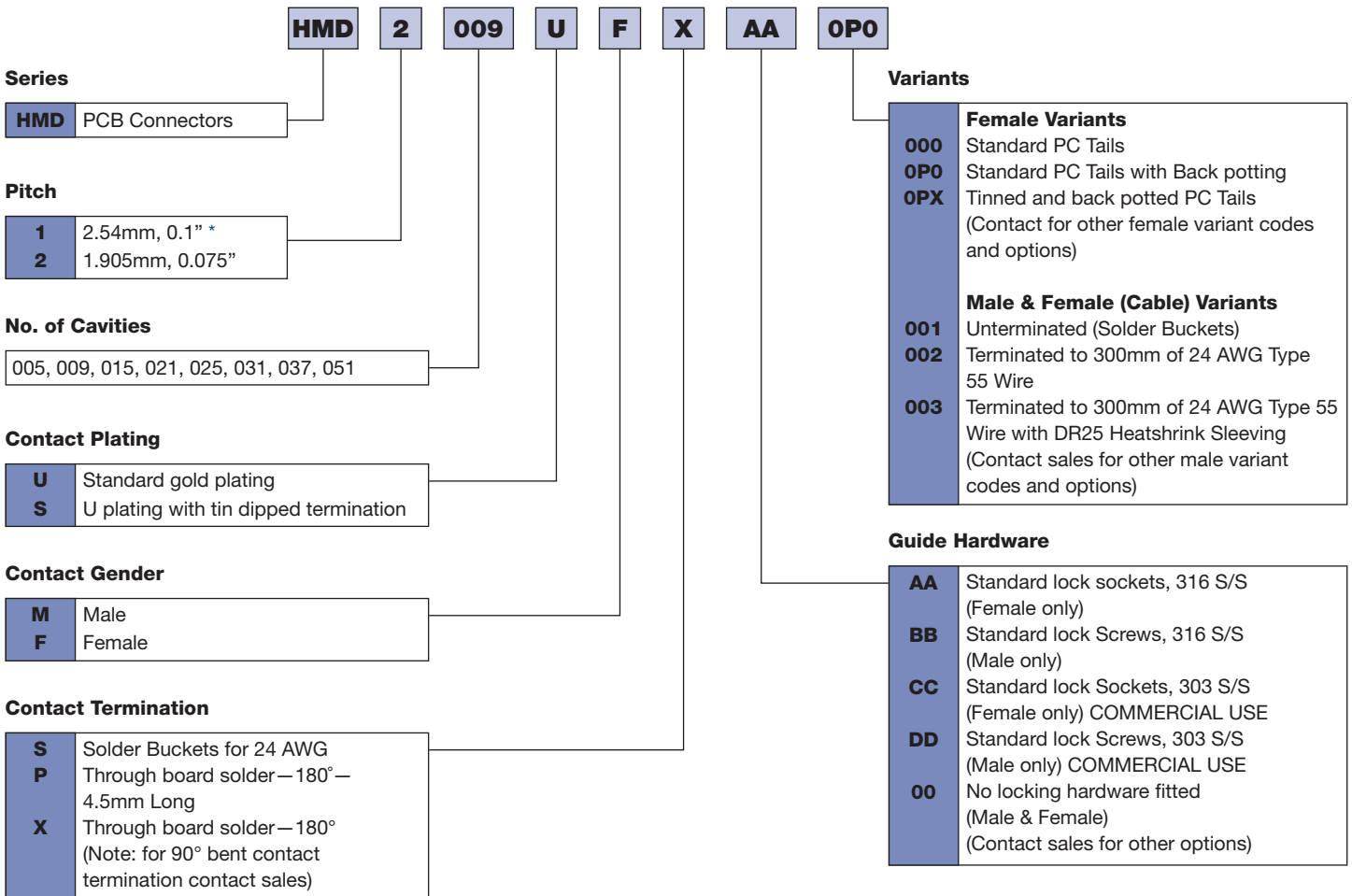


HMD

- Lightweight and corrosion resistant
- High density configurations & simple mating functions
- 10,000 mating cycles
- Low insertion force
- Interfacial seal and backshell provided as standard
- Locking system for high vibration applications
- 8 standard pin configurations from 5 to 51 ways

PART NUMBER CONFIGURATOR

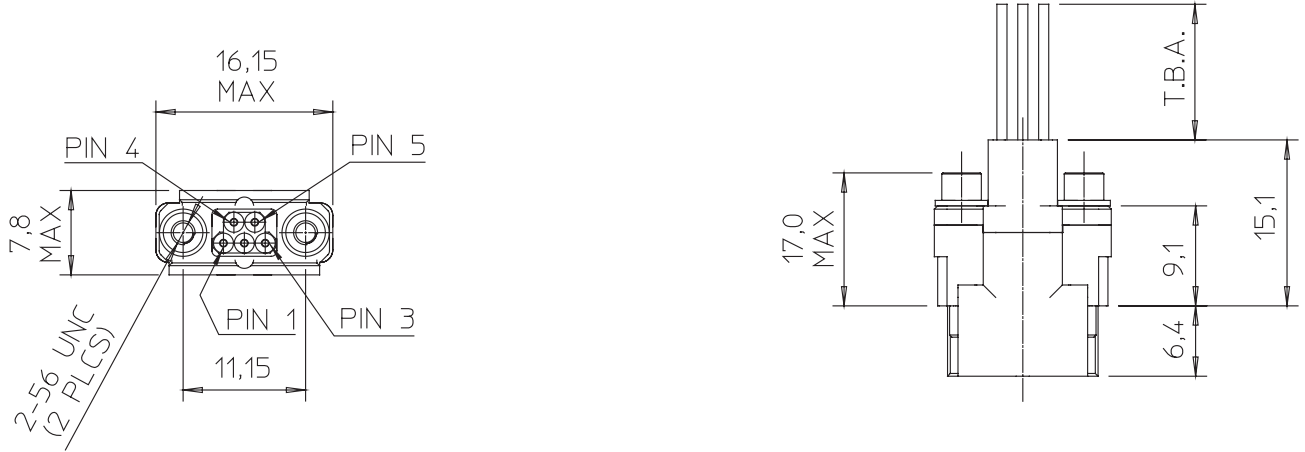


* Contact Hypertac for more information

5 WAY CONNECTORS

Male Half

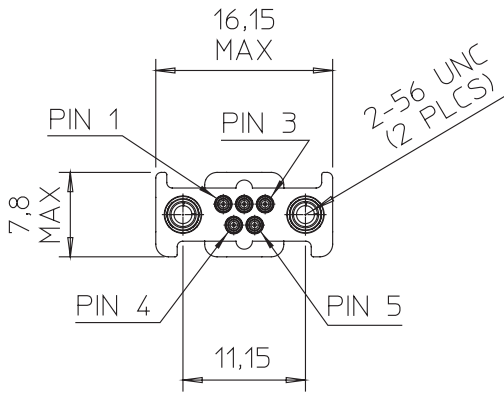
MATING FACE



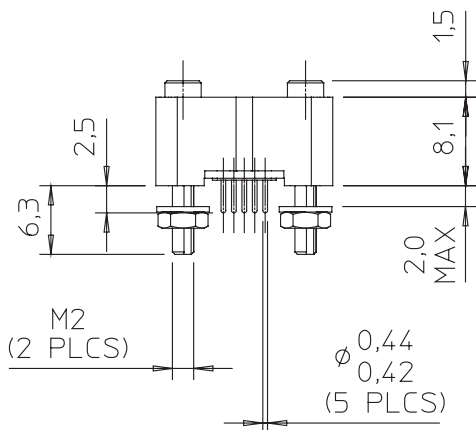
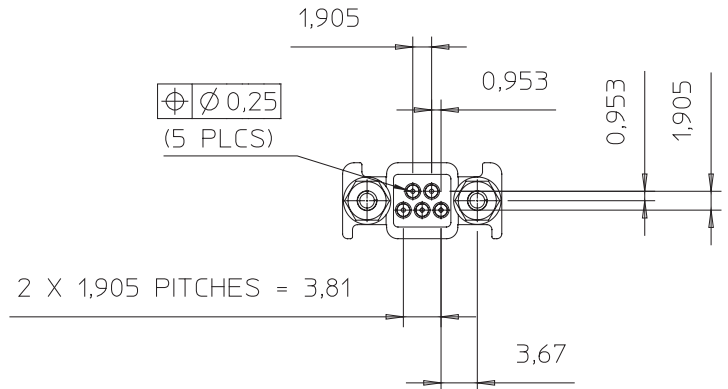
5 WAY CONNECTORS

Female Half

MATING FACE



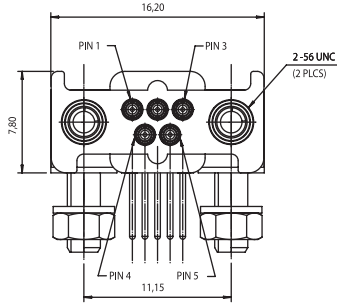
TERMINATION FACE



5 WAY CONNECTORS

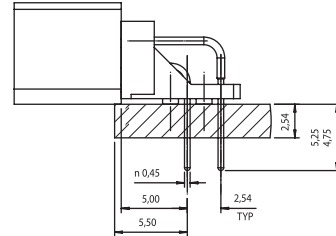
Female 90° Bent

MATING FACE

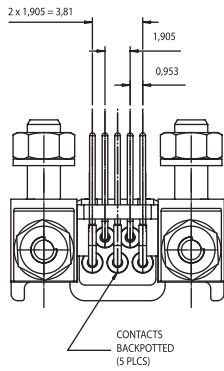


TERMINATION DETAIL

GUIDE NOT SHOWN IN THIS VIEW

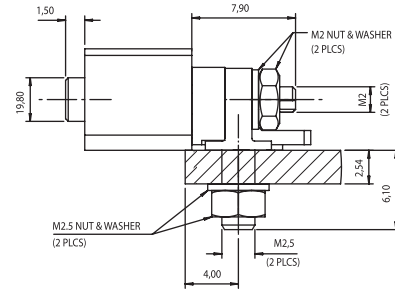


TERMINATION FACE



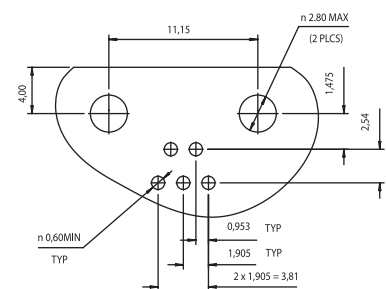
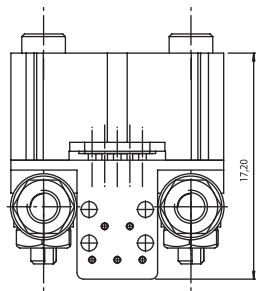
MOUNTING DETAIL

CONTACTS NOT SHOWN IN THIS VIEW



PCB LAYOUT

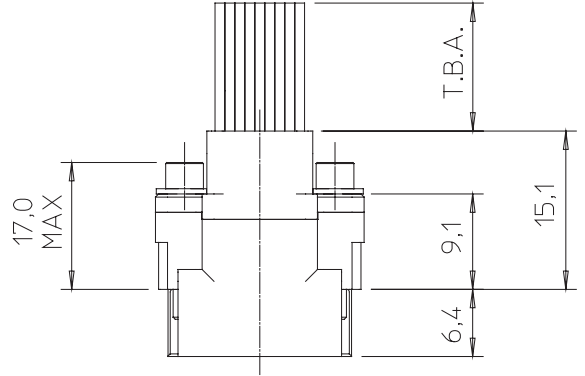
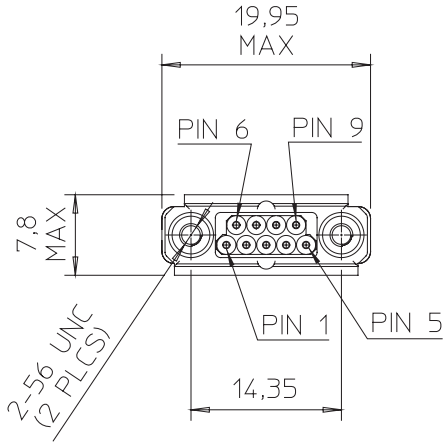
NTS



9 WAY CONNECTORS

Male Half

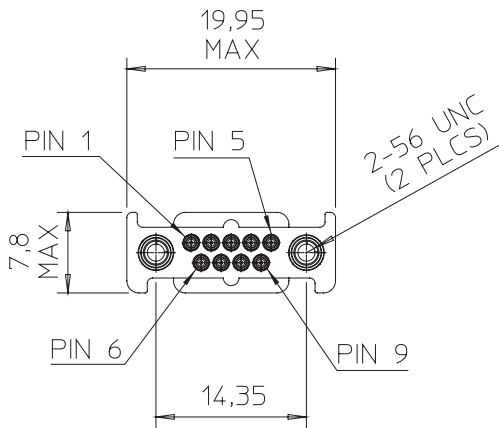
MATING FACE



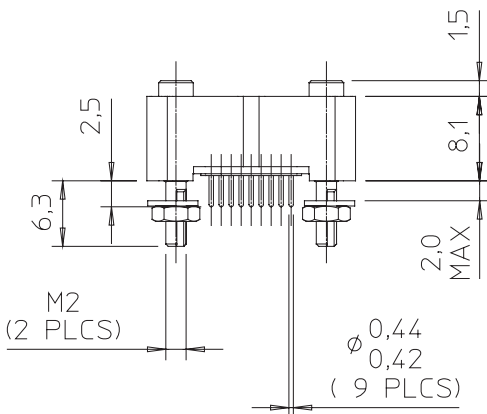
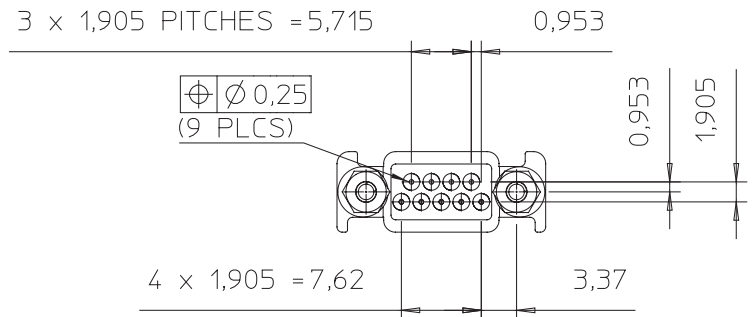
9 WAY CONNECTORS

Female Half

MATING FACE



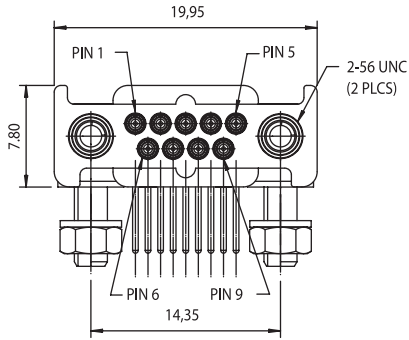
TERMINATION FACE



9 WAY CONNECTORS

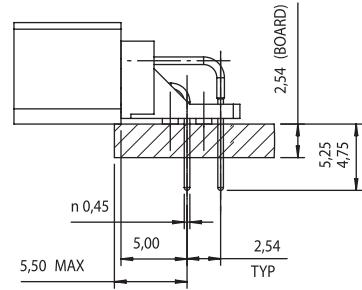
Female 90° Bent

MATING FACE

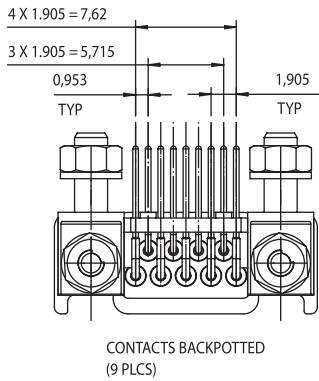


TERMINATION DETAIL

GUIDE NOT SHOWN IN THIS VIEW

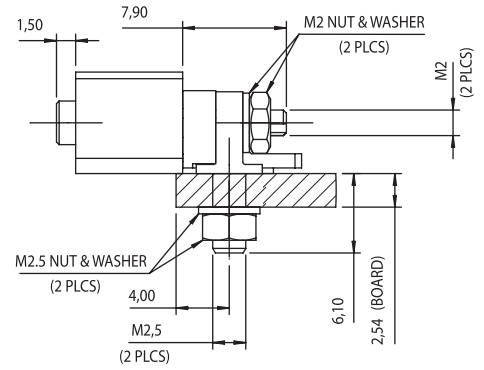


TERMINATION FACE



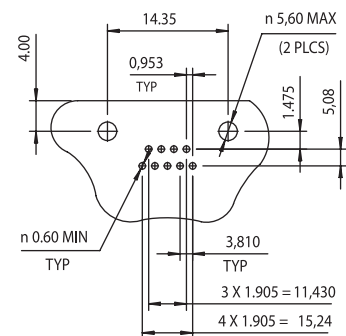
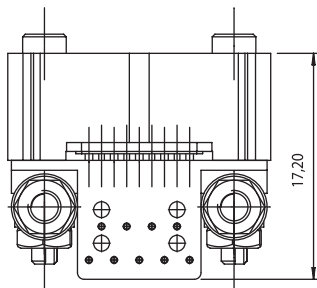
MOUNTING DETAIL

CONTACTS NOT SHOWN IN THIS VIEW



PCB LAYOUT

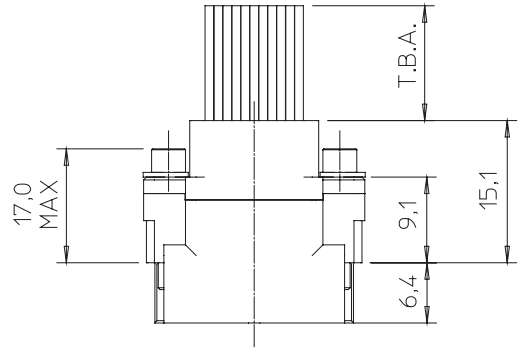
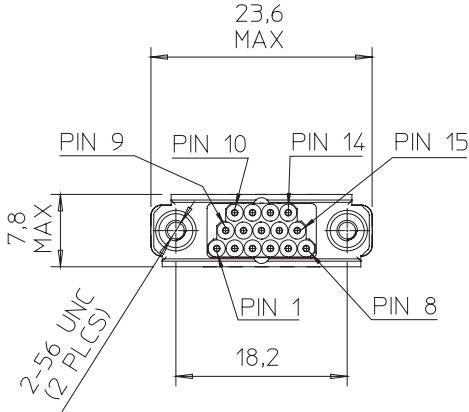
NTS



15 WAY CONNECTORS

Male Half

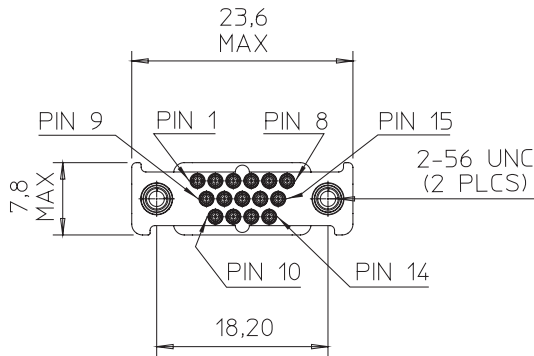
MATING FACE



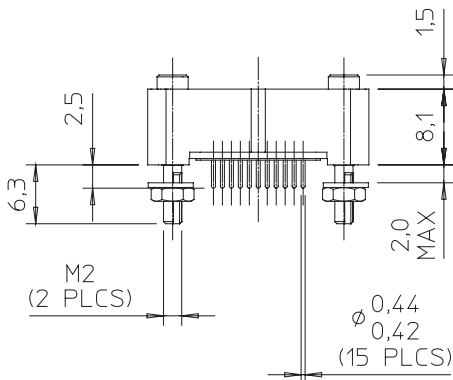
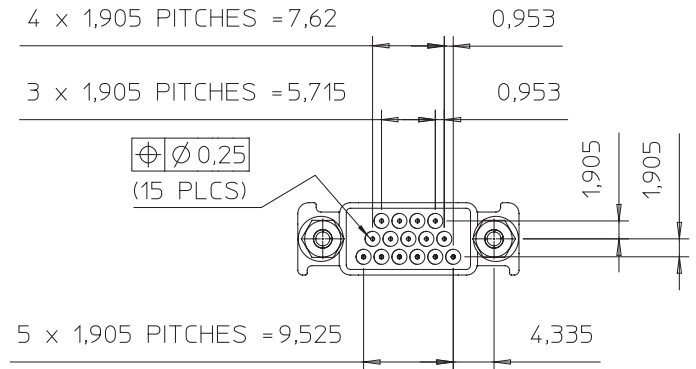
15 WAY CONNECTORS

Female Half

MATING FACE



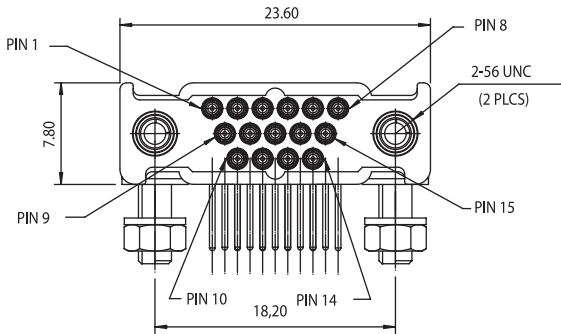
TERMINATION FACE



15 WAY CONNECTORS

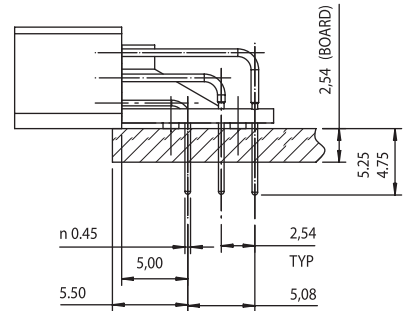
Female 90° Bent

MATING FACE

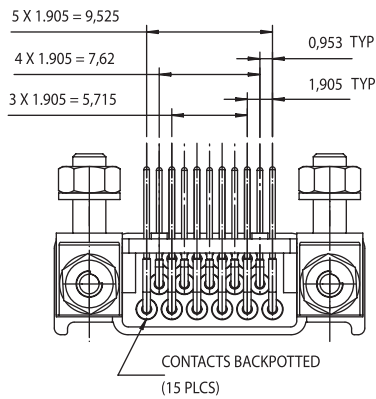


TERMINATION DETAIL

GUIDE NOT SHOWN IN THIS VIEW

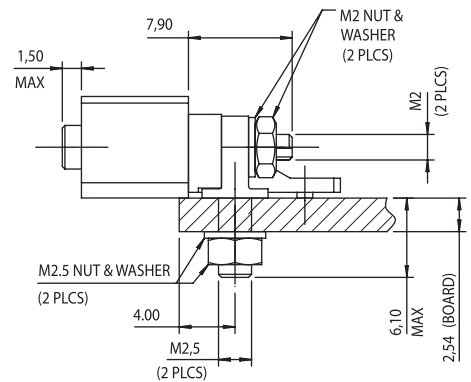


TERMINATION FACE



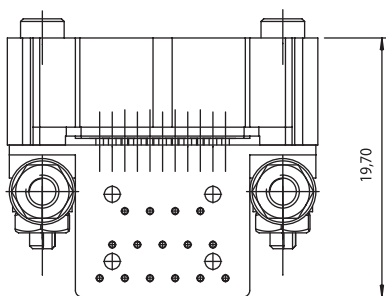
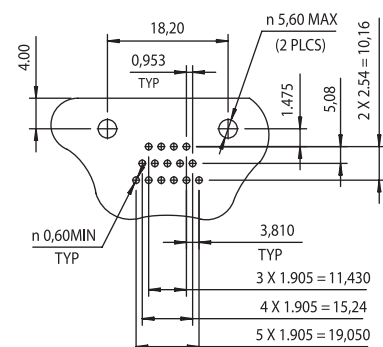
MOUNTING DETAIL

CONTACTS NOT SHOWN IN THIS VIEW



PCB LAYOUT

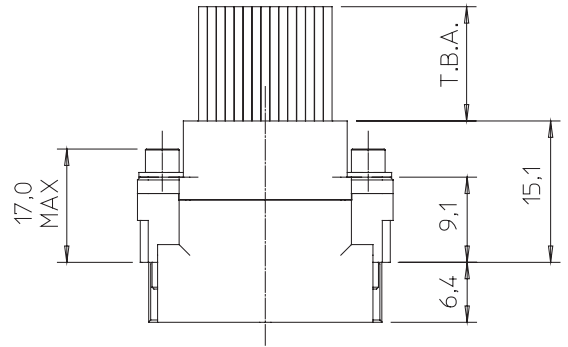
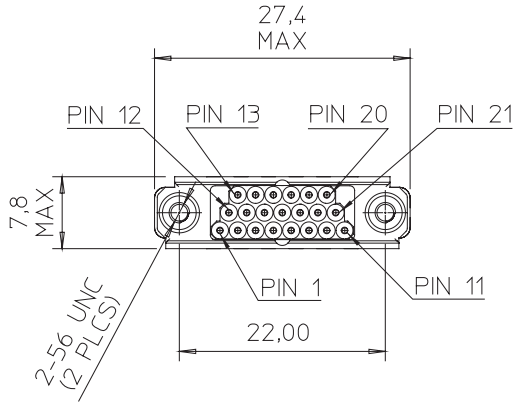
NTS



21 WAY CONNECTORS

Male Half

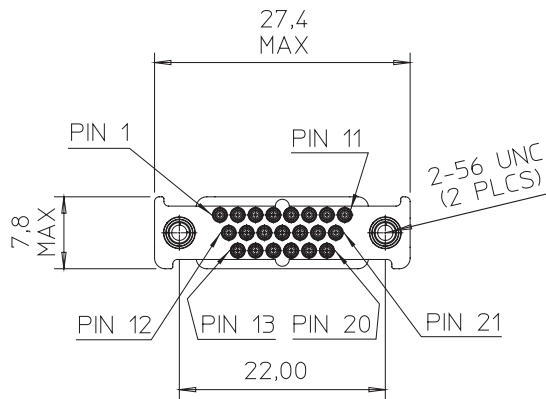
MATING FACE



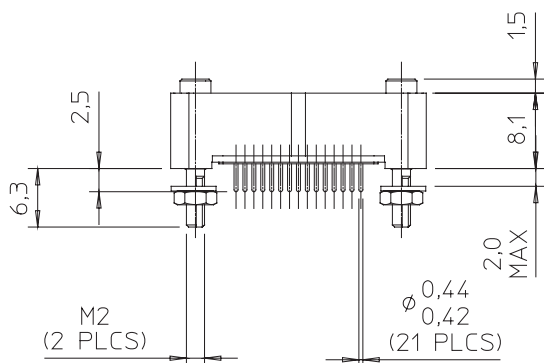
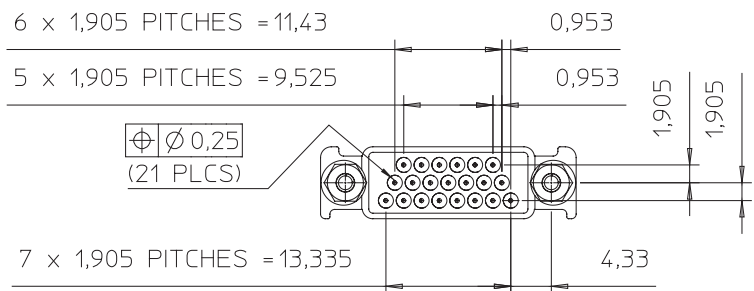
21 WAY CONNECTORS

Female Half

MATING FACE



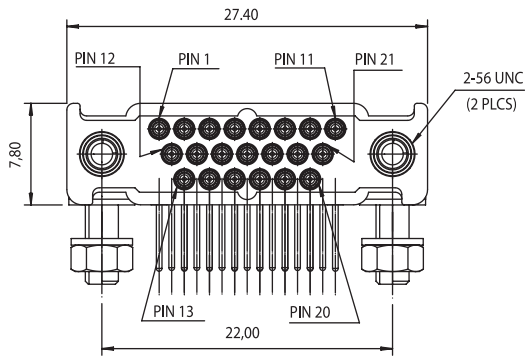
TERMINATION FACE



21 WAY CONNECTORS

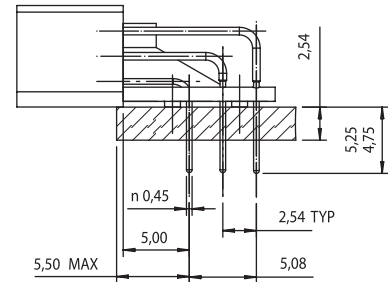
Female 90° Bent

MATING FACE

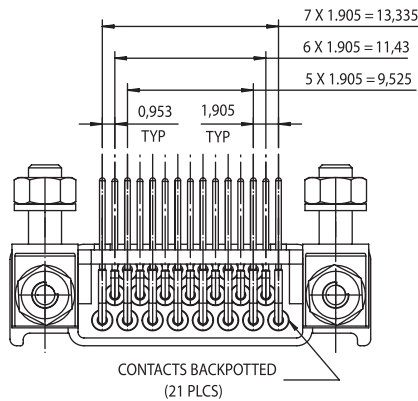


TERMINATION DETAIL

GUIDE NOT SHOWN IN THIS VIEW

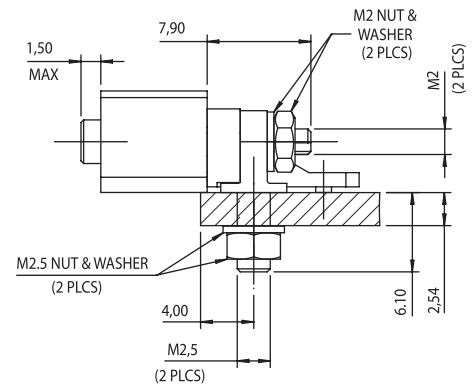


TERMINATION FACE



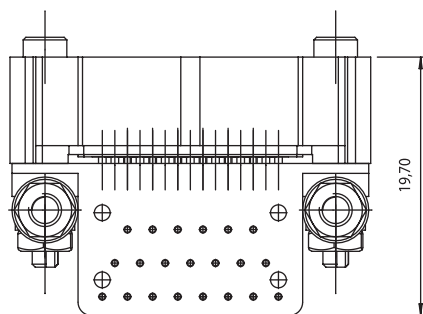
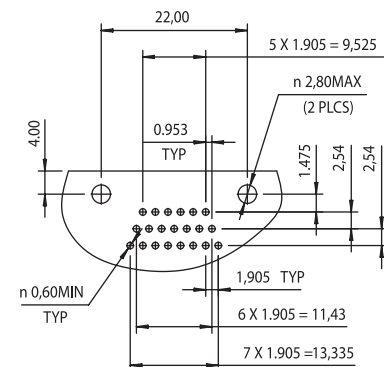
MOUNTING DETAIL

CONTACTS NOT SHOWN IN THIS VIEW



PCB LAYOUT

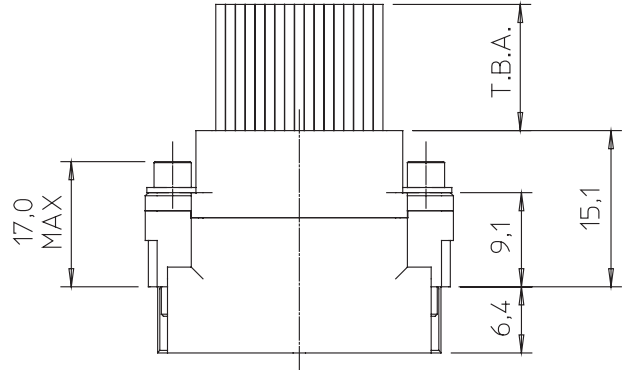
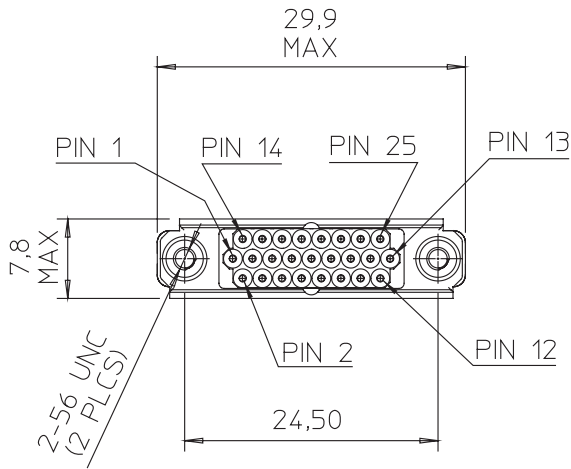
NTS



25 WAY CONNECTORS

Male Half

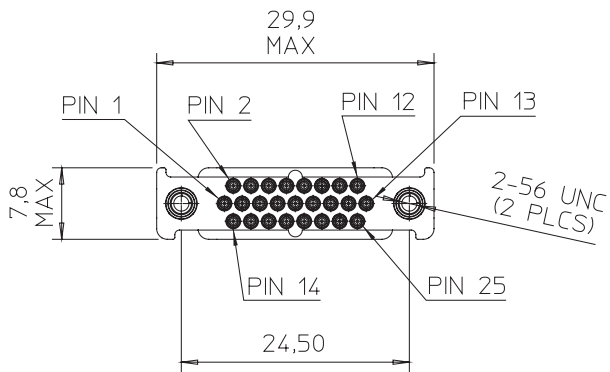
MATING FACE



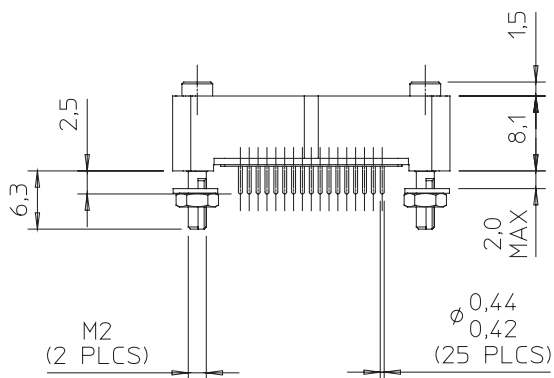
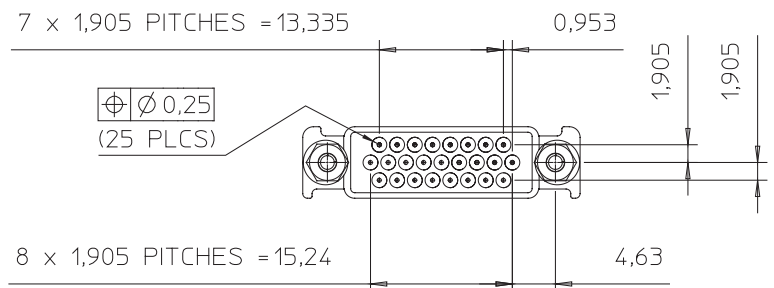
25 WAY CONNECTORS

Female Half

MATING FACE



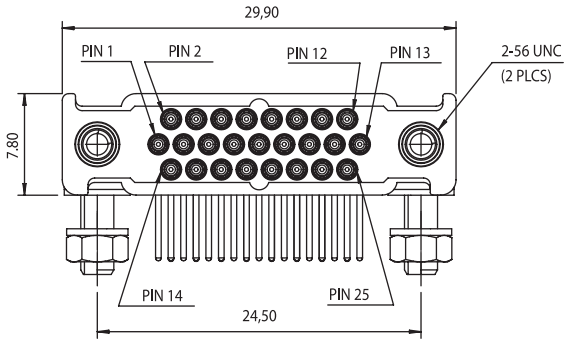
TERMINATION FACE



25 WAY CONNECTORS

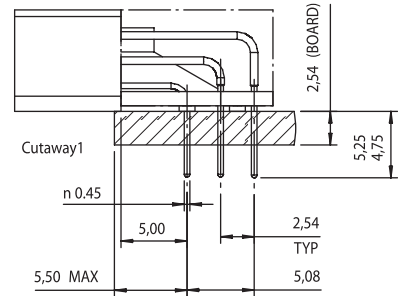
Female 90° Bent

MATING FACE

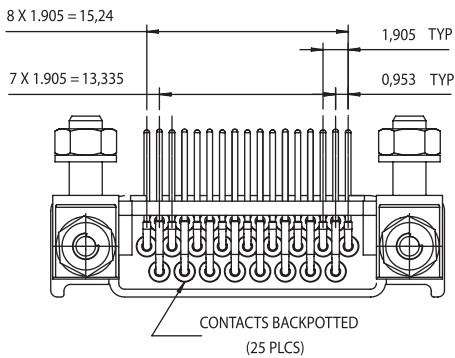


TERMINATION DETAIL

GUIDE NOT SHOWN IN THIS VIEW

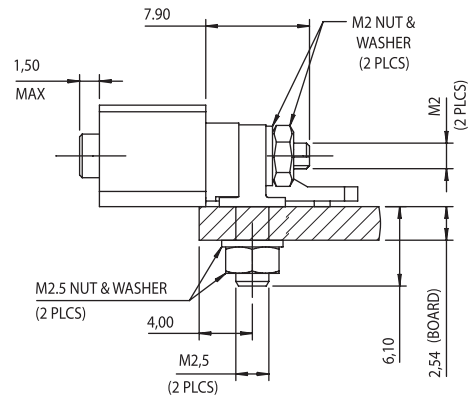


TERMINATION FACE



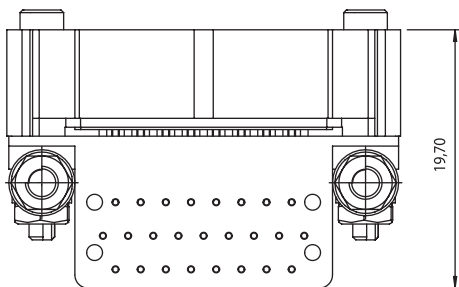
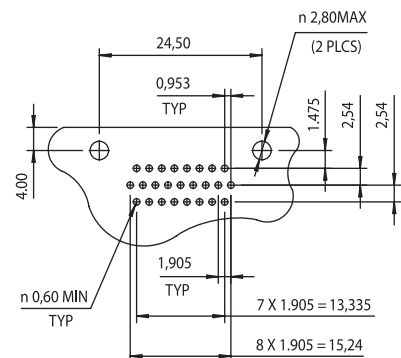
MOUNTING DETAIL

CONTACTS NOT SHOWN IN THIS VIEW



PCB LAYOUT

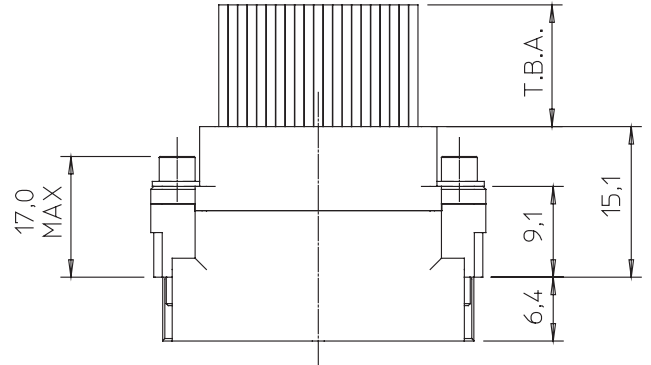
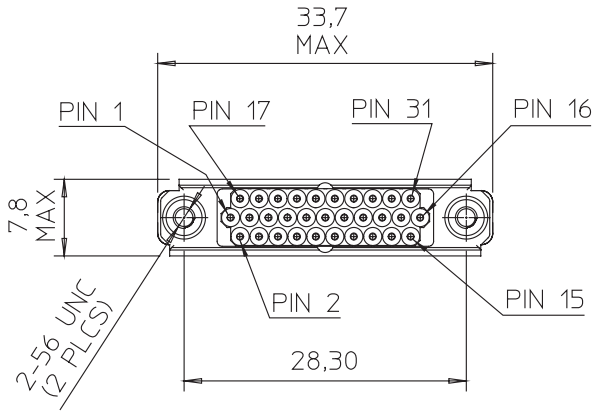
NTS



31 WAY CONNECTORS

Male Half

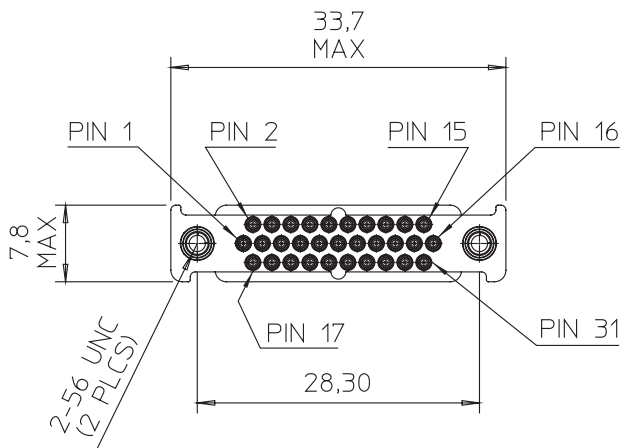
MATING FACE



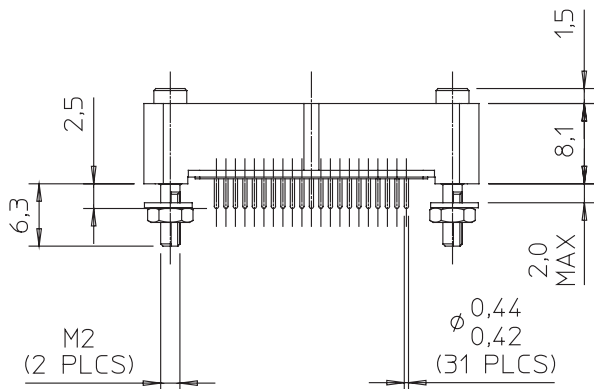
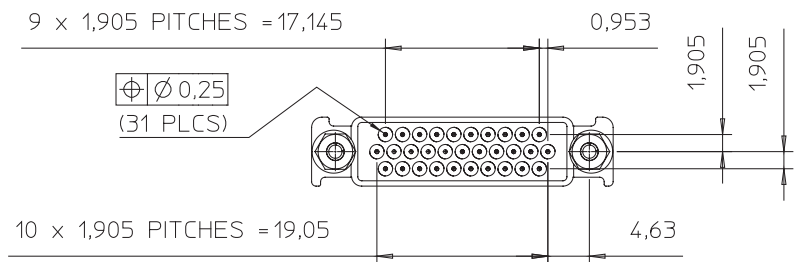
31 WAY CONNECTORS

Female Half

MATING FACE



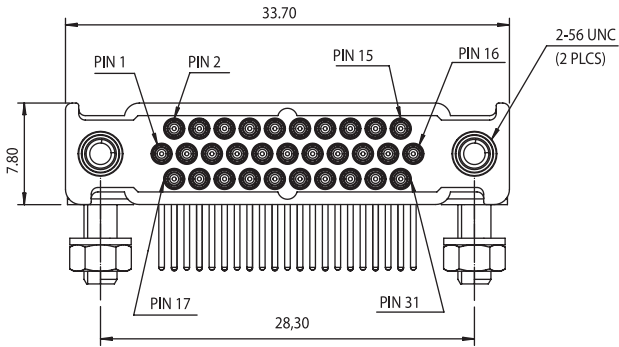
TERMINATION FACE



31 WAY CONNECTORS

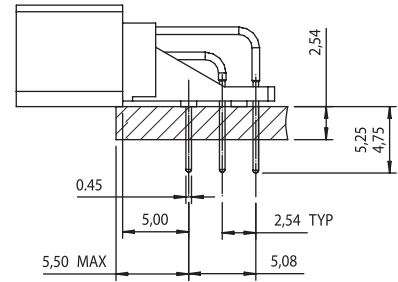
Female 90° Bent

MATING FACE

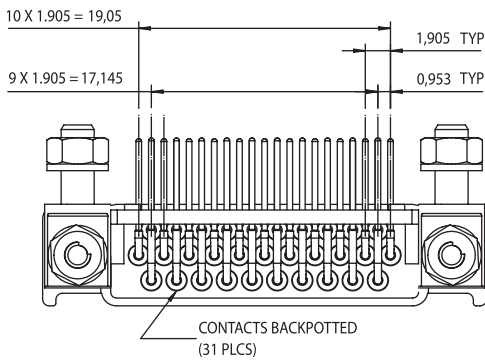


TERMINATION DETAIL

GUIDE NOT SHOWN IN THIS VIEW

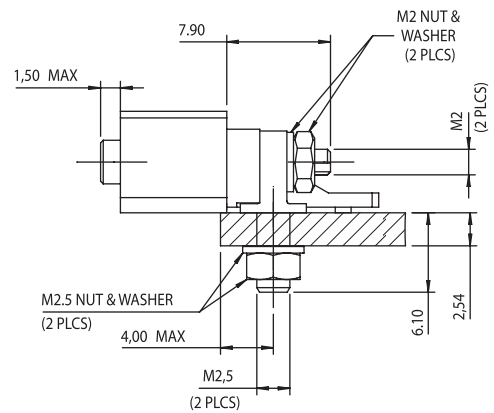


TERMINATION FACE



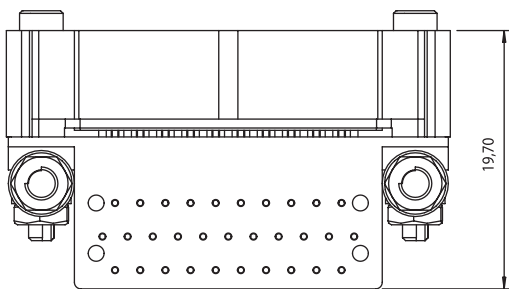
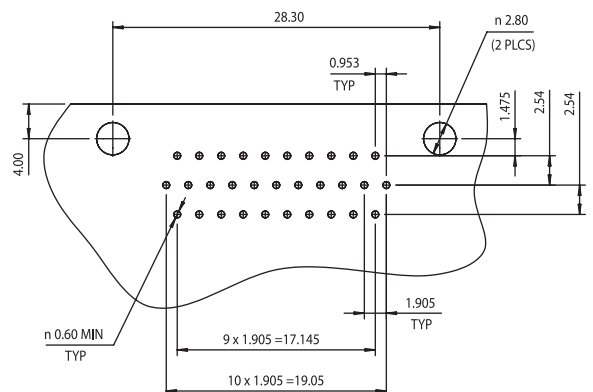
MOUNTING DETAIL

CONTACTS NOT SHOWN IN THIS VIEW



PCB LAYOUT

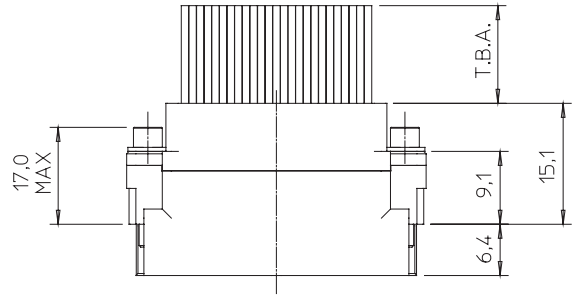
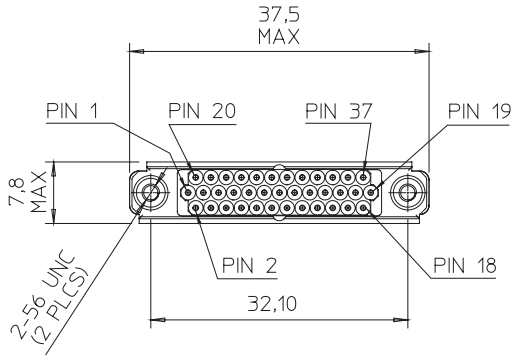
NTS



37 WAY CONNECTORS

Male Half

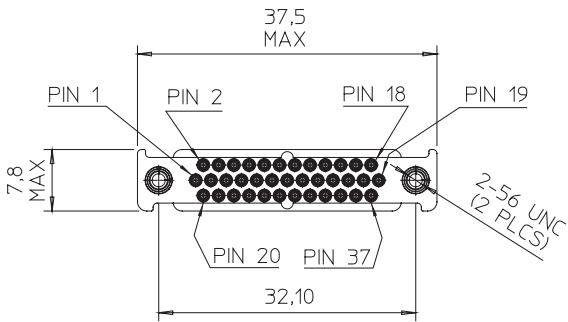
MATING FACE



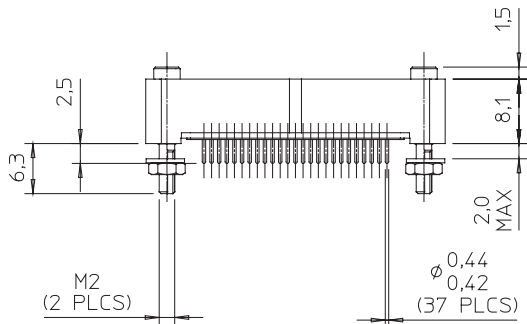
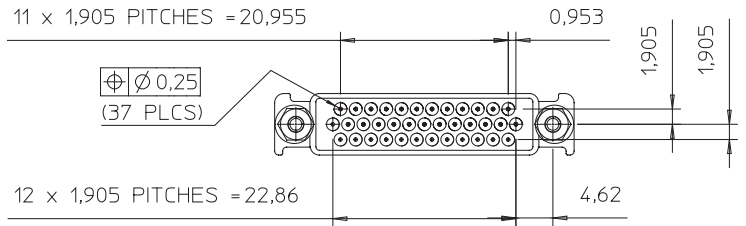
37 WAY CONNECTORS

Female Half

MATING FACE



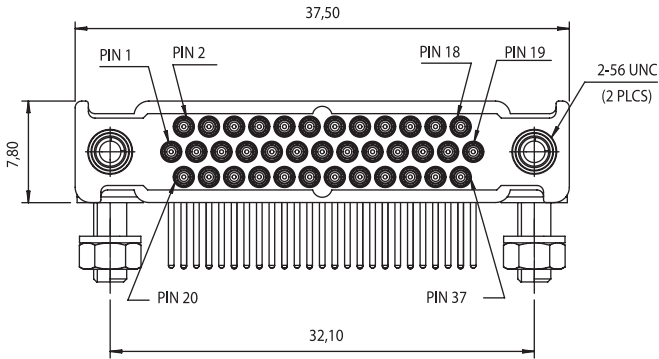
TERMINATION FACE



37 WAY CONNECTORS

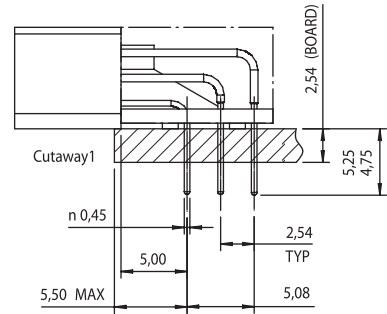
Female 90° Bent

MATING FACE

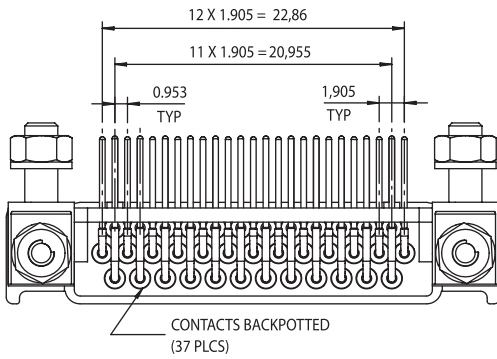


TERMINATION DETAIL

GUIDE NOT SHOWN IN THIS VIEW

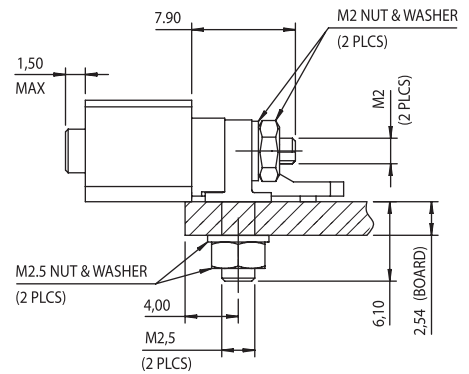


TERMINATION FACE



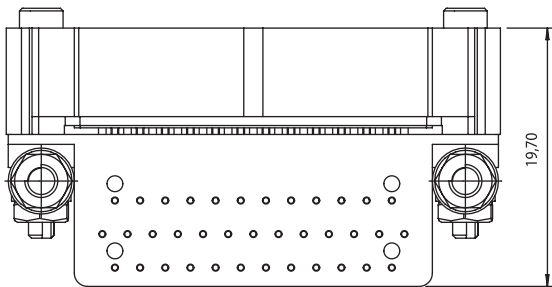
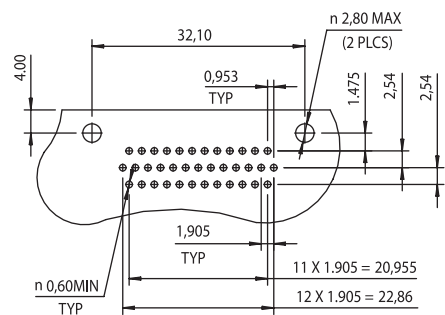
MOUNTING DETAIL

CONTACTS NOT SHOWN IN THIS VIEW



PCB LAYOUT

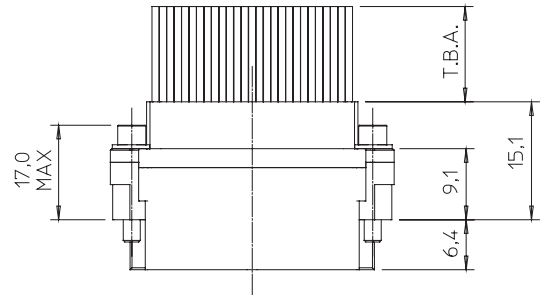
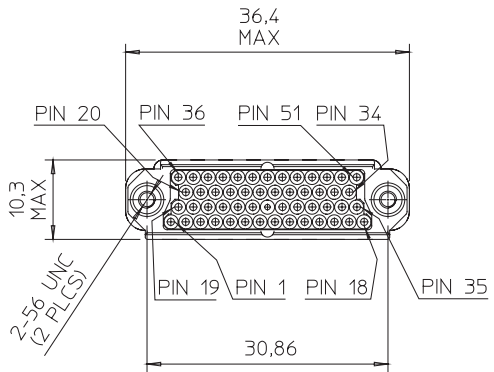
NTS



51 WAY CONNECTORS

Male Half

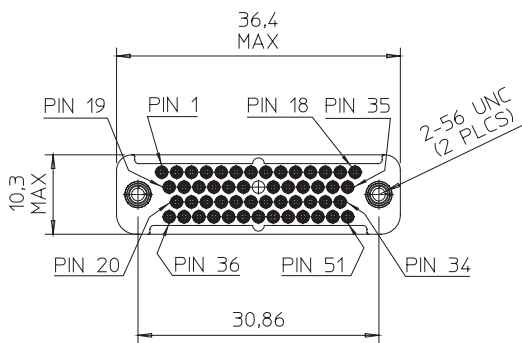
MATING FACE



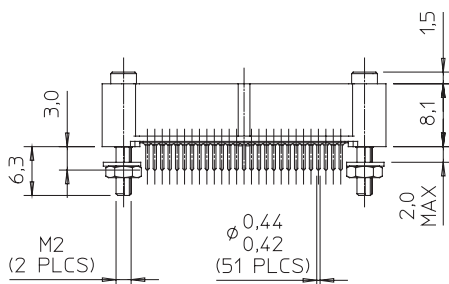
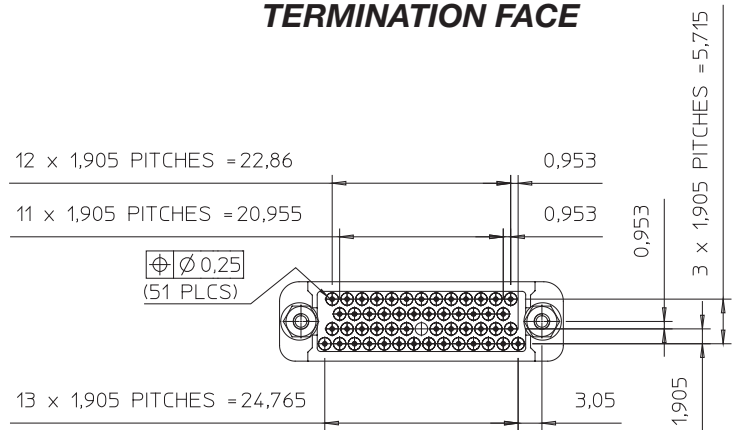
51 WAY CONNECTORS

Female Half

MATING FACE



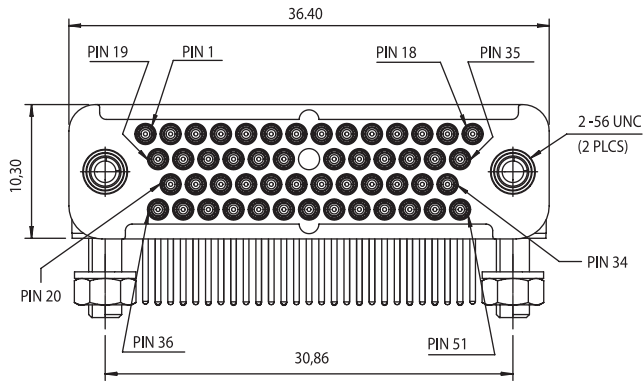
TERMINATION FACE



51 WAY CONNECTORS

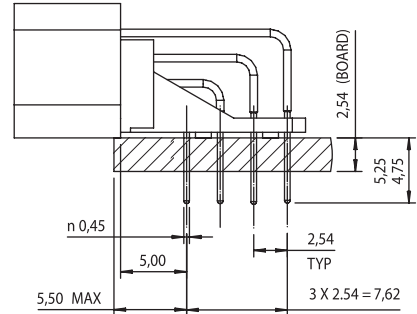
Female 90° Bent

MATING FACE

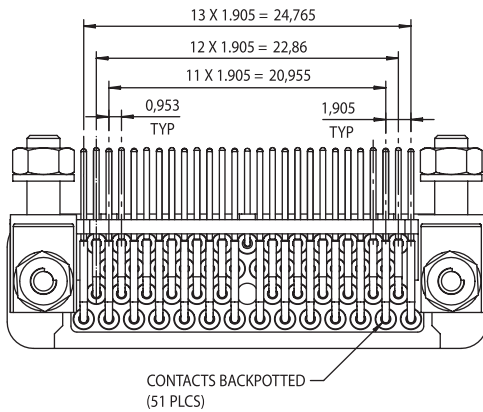


TERMINATION DETAIL

GUIDE NOT SHOWN IN THIS VIEW

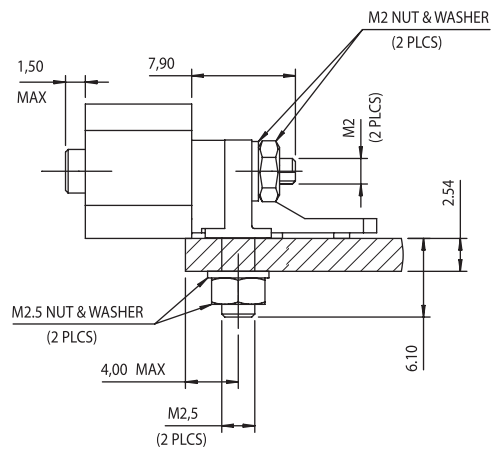


TERMINATION FACE



MOUNTING DETAIL

CONTACTS NOT SHOWN IN THIS VIEW



PCB LAYOUT

NTS

