

# HIGH DATA RATE CABLE ASSY EQCD SERIES

## SPECIFICATIONS

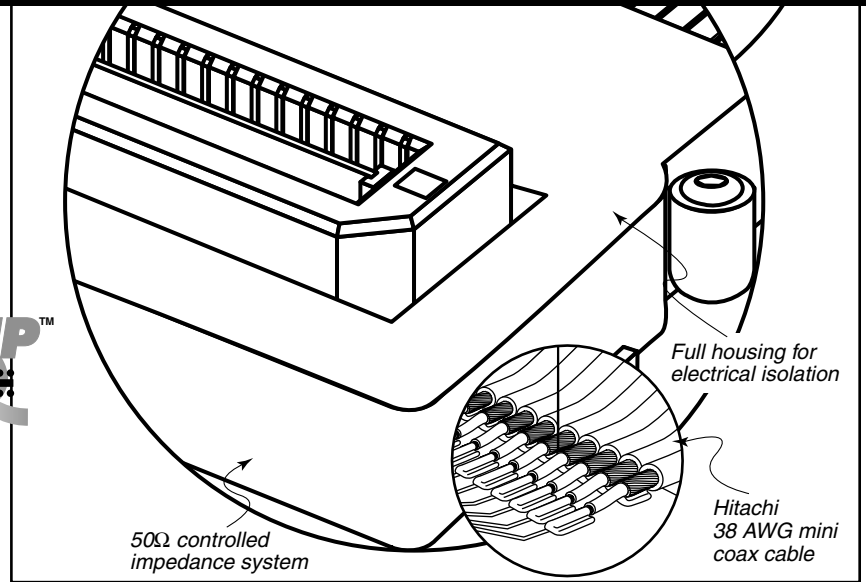
For complete specifications see [www.samtec.com?EQCD](http://www.samtec.com?EQCD)

- Hitachi 38 AWG mini co-ax
- Single-ended routing
- 0,8mm (.0315") pitch
- Vertical and edge mount terminations to cable
- Ideal for longer cable assemblies; (152mm) 6" to (1m) 40" standard
- High cable flexing life (> 40,000 cycles)
- Small bend radii (< 2.5mm)
- Edge mount locking and latching options

Coming Soon:

- Differential pair routing
- 0,5mm (.0197") pitch (HQCD Series)
- Vertical locking and latching options

Mates with:  
QTE, QSE



EQCD	SIGNAL LINES	WIRE LENGTH	END NO. 1	END NO. 2	WIRING OPTION	SCREW OPTION																		
-020, -040, -060, -080 (Call for other sizes)		"XX.XX" = Conductor Length in Inches (152mm) 06.00" to (1m) 40.00"	Specify END ASSEMBLIES from chart		-1 = Pin 1 to Pin 1 -2 = Pin 1 to Pin 2 -3 = Pin 1 to Second Last Pin -4 = Pin 1 to Last Pin	-EMF = End No. 1 -EMS = End No. 2 -EMB = Both Ends (Edge Mount only)																		
			END NO. 1 (-SEU-X-EMF SHOWN)	END NO. 2 (-STR SHOWN)																				
			<table border="1"> <thead> <tr> <th>END</th> <th>SURFACE MOUNT</th> </tr> </thead> <tbody> <tr> <td>TTR</td> <td>Terminal, Top, Notch Right</td> </tr> <tr> <td>TTL</td> <td>Terminal, Top, Notch Left</td> </tr> <tr> <td>TBR</td> <td>Terminal, Bottom, Notch Right</td> </tr> <tr> <td>TBL</td> <td>Terminal, Bottom, Notch Left</td> </tr> <tr> <td>STR</td> <td>Socket, Top, Notch Right</td> </tr> <tr> <td>STL</td> <td>Socket, Top, Notch Left</td> </tr> <tr> <td>SBR</td> <td>Socket, Bottom, Notch Right</td> </tr> <tr> <td>SBL</td> <td>Socket, Bottom, Notch Left</td> </tr> </tbody> </table>		END	SURFACE MOUNT	TTR	Terminal, Top, Notch Right	TTL	Terminal, Top, Notch Left	TBR	Terminal, Bottom, Notch Right	TBL	Terminal, Bottom, Notch Left	STR	Socket, Top, Notch Right	STL	Socket, Top, Notch Left	SBR	Socket, Bottom, Notch Right	SBL	Socket, Bottom, Notch Left		
END	SURFACE MOUNT																							
TTR	Terminal, Top, Notch Right																							
TTL	Terminal, Top, Notch Left																							
TBR	Terminal, Bottom, Notch Right																							
TBL	Terminal, Bottom, Notch Left																							
STR	Socket, Top, Notch Right																							
STL	Socket, Top, Notch Left																							
SBR	Socket, Bottom, Notch Right																							
SBL	Socket, Bottom, Notch Left																							
			<table border="1"> <thead> <tr> <th>END</th> <th>EDGE MOUNT</th> </tr> </thead> <tbody> <tr> <td>TEU</td> <td>Terminal, Edge, Notch Up</td> </tr> <tr> <td>TED</td> <td>Terminal, Edge, Notch Down</td> </tr> <tr> <td>SEU</td> <td>Socket, Edge, Notch Up</td> </tr> <tr> <td>SED</td> <td>Socket, Edge, Notch Down</td> </tr> </tbody> </table>		END	EDGE MOUNT	TEU	Terminal, Edge, Notch Up	TED	Terminal, Edge, Notch Down	SEU	Socket, Edge, Notch Up	SED	Socket, Edge, Notch Down										
END	EDGE MOUNT																							
TEU	Terminal, Edge, Notch Up																							
TED	Terminal, Edge, Notch Down																							
SEU	Socket, Edge, Notch Up																							
SED	Socket, Edge, Notch Down																							

**Note:**  
This Series is non-standard, non-removable.

Due to technical progress, all designs, specifications and components are subject to change without notice.

[WWW.SAMTEC.COM](http://WWW.SAMTEC.COM)