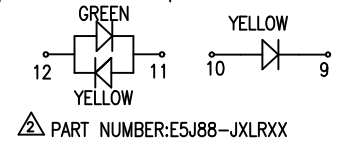
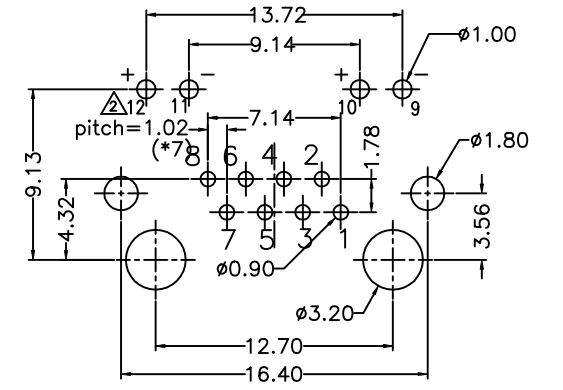
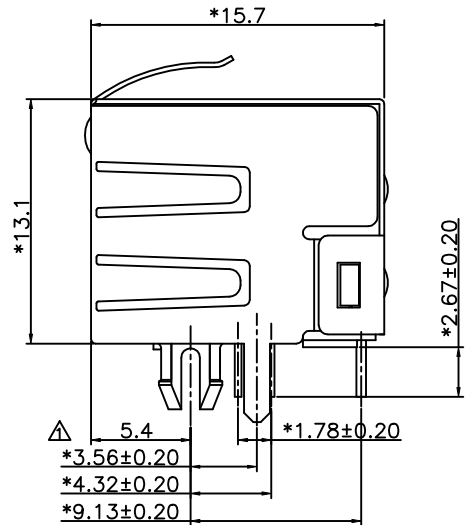
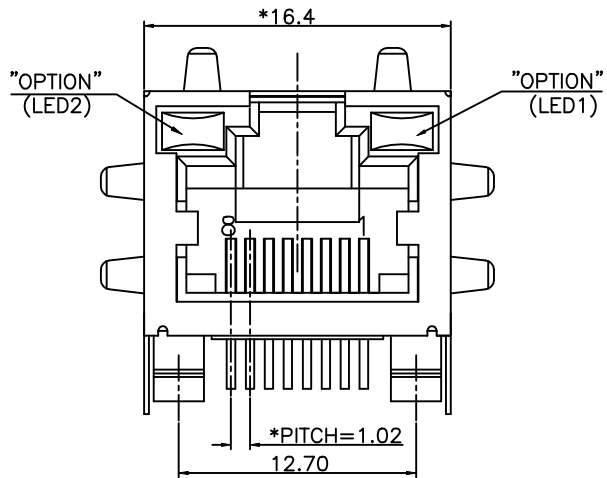


REVISION RECORD				
REV	ECO	DESCRIPTION	DRFT	CHKD
△		DIMENSION MODIFY	SM	11/22/03
△		ADD LED TYPE	PETERS	11/04/04



PC Board Layout(t=1.60mm)  
Component Side Shown

**NOTES:**

**ELECTRICAL:**

- VOLTAGE RATING : 125 VAC RMS.
- CURRENT RATING : 1.5 AMP.
- CONTACT RESISTANCE : 30 MILLIOHMS MAX.
- INSULATION RESISTANCE: 1000 MEGOHMS MIN @ 500 VDC.
- DIELECTRIC STRENGTH : 1000 VAC RMS 60Hz, 1MIN.
- LED RATINGS: FORWARD VOLTAGE: 2.2 VOLTS TYPICAL.  
REVERSE VOLTAGE: 5 VOLTS MINIMUM.
- OPERATING: 750 CYCLES MIN.

**MECHANICAL:**

- HOUSING MATERIAL : PBT+30%.GF UL94V-0. COLOR-BLACK.
- INSERT MATERIAL : PBT+30%GF UL94V-0. COLOR-BLACK.
- BACK PLATE MATERIAL : PBT+30%GF. COLOR-BLACK.
- LED SIZE : 3.2\*2.0\*7.0\*P=2.54mm.LEAD FREE.
- SHIELD MATERIAL : COPPER ALLOY 0.25mm THICKNESS PLATING NI.
- CONTACT MATERIAL : PHOSPHOR BRONZE 0.35mm THICKNESS .LEAD FREE.
- PLATING : GOLD PLATING OVER NICKEL.
- PCB RETENTION PRE-SOLDER : 1 LB MIN.
- PCB RETENTION POST-SOLDER: 10 LBS MIN.

**ENVIRONMENTAL:**

- STORAGE : -40°C TO +85°C.
  - OPERATION: 0°C TO 70°C.
- MATES WITH MODULAR PLUG CONFORMING TO FCC PART 68, SUBPART F.

CUL FILE No:E163191

PART NUMBER: E 5J 8 8 - X X L R X X

- 1-LED1:GREEN ,LED2:YELLOW
- 2-LED1:GREEN ,LED2:GREEN
- 3-LED1:YELLOW ,LED2:GREEN
- 5-LED1:RED ,LED2:GREEN
- 7-LED1:YELLOW ,LED2:YELLOW
- J-LED1:G+Y ,LED2:YELLOW
- E-LED1:GREEN ,LED2:RED

PLATING: 1-3u" 2-6u"  
3-15u" 4-30u" 5-50u"

- 1-Plate Tin shield stamp pin,led long 7.0mm
- 2-Plate Ni shield stamp pin,led long 7.0mm
- 3-Plate Tin shield round pin,led long 7.0mm
- 4-Plate Ni shield round pin,led long 7.0mm

- 1-NO TAB
- 2-TOP TABS.
- 3-SIDE TABS.
- 4-TOP TABS & SIDE TABS.

<p>← MM (INCH) →</p> <p>TOLERANCES EXCEPT AS NOTED</p> <p>MM ±</p> <p>.0 ± 0.20 ±</p> <p>.00 ± 0.15 ±</p> <p>.000 ± 0.075 ±</p> <p>ANGLES ±</p> <p>THIRD ANGLE PROJECTION</p>		<p>DFTO JAKE DATE 10/30/03</p> <p>CHKD JAKE DATE 2004/11/5</p> <p>MFO DATE</p> <p>APPV LUSHENG DATE 2004/11/5</p> <p>MATERIAL :</p> <p>QT'Y :</p> <p>FINISH :</p> <p>SCALE : 3:1</p>	<p>DATE 10/30/03</p> <p>DATE</p> <p>DATE 2004/11/5</p> <p>MATERIAL :</p> <p>QT'Y :</p> <p>FINISH :</p> <p>SCALE : 3:1</p>	<p>FULL RISE ELECTRONIC CO., LTD</p> <p>TITLE</p> <p>RJ45 SIDE ENTRY LED JACK</p> <p>DRAWING NO. GE5J3114</p> <p>/PART NO. SEE NOTE</p> <p>DO NOT SCALE DRAWING</p>	<p>SIZE A3</p> <p>REV 2</p> <p>11/04/04</p> <p>SHEET 1 OF 1</p>
---	--	--	---	---	---