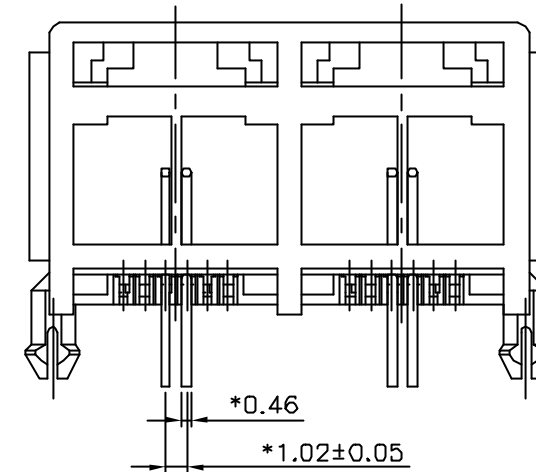
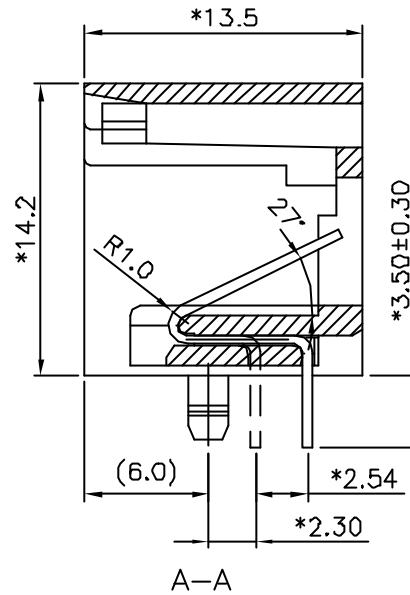
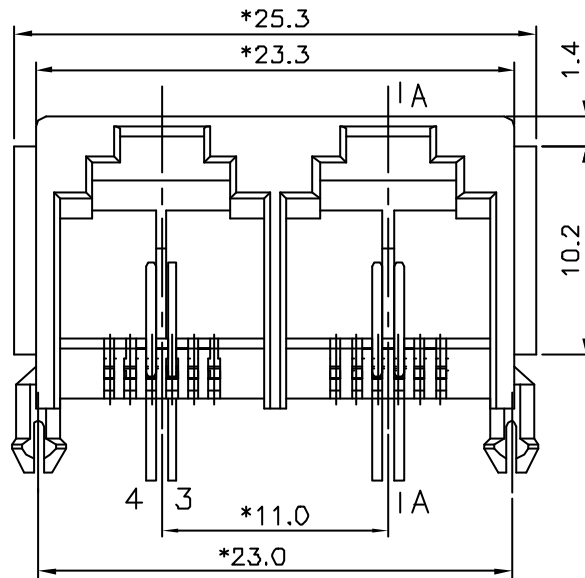


REVISION RECORD				
REV	ECO	DESCRIPTION	DRFT	CHKD



NOTES:

ELECTRICAL:

- VOLTAGE RATING : 125 VAC RMS.
- CURRENT RATING : 1.5 AMP.
- CONTACT RESISTANCE : 30 MILLIOHMS MAX.
- INSULATION RESISTANCE: 1000MEGOHMS MIN @ 500 VDC.
- DIELECTRIC STRENGTH : 1000 VAC RMS 60Hz, 1MIN.

MECHANICAL:

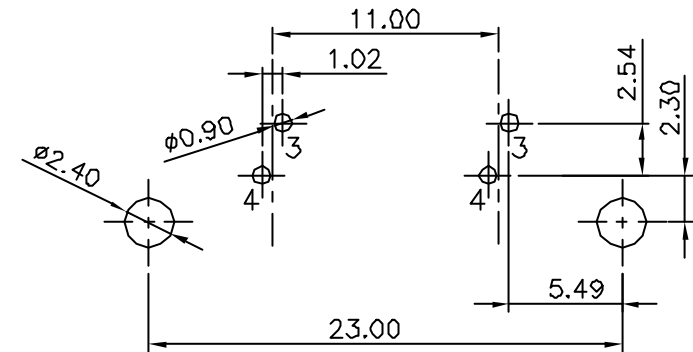
- HOUSING MATERIAL : GLASS FILLED POLYESTER UL94V-0.
- CONTACT MATERIAL : PHOSPHOR BRONZE ϕ 0.46mm.
- PLATING : GOLD PLATING OVER NICKEL.
- OPERATING LIFE : 750 CYCLES MIN.
- PCB RETENTION PRE-SOLDER : 1 LB MIN.
- PCB RETENTION POST-SOLDER: 10 LBS MIN.

ENVIRONMENTAL:

- STORAGE : -40°C TO +85°C.
- OPERATION: 0°C TO 70°C.

MATES WITH MODULAR PLUG CONFORMING TO FCC PART 68, SUBPART F.
 CUL FILE NO. E163191
 PART NUMBER: E5562-6HA1XX

- | | | |
|-------------------|---------|---------|
| 1- W/ PANEL STOP | 1- 3u" | 2- 6u" |
| 2- W/O PANEL STOP | 3- 15u" | 4- 30u" |
| | 5- 50u" | |



PC Board Layout Component Side Shown

DETACHED LIST	MIN (INCH)	DFTD QIANPU	DATE 1/6/04	FULL RISE ELECTRONIC CO., LTD	
	TOLERANCED EXCEPT AS NOTED	CHKD WATERS	DATE 2004/1/8		
	MM	MFG	DATE	TITLE MINI L/P PCB JACK 6P (2 PORT)	
	±	APPVAL GZH	DATE 2004/1/8		
±	MATERIAL :	QTY :		DRAWING NO. GE553050	
±	ANGLES ±	FINISH :		/PART NO. SEE NOTE	
±	THIRD ANGLE PROJECTION	SCALE : 4:1		SIZE A3	REV 0
DO NOT SCALE DRAWING				SHEET X	OF Y