

GENERAL DESCRIPTION

The BL0932 serial ICs are mixed-signal integrated circuits which are widely-used in electrical meters as core chips. Electrical energy meters based on this serial are characterized by simple boundary circuits, high accuracy, well stability etc. and are applied in electrical energy measurement for single-phase dual-line users. BL0932 is the promoted one of BL0931 with the additional function of anti electricity-stealing. And BL0932b is developed from BL0932 with the improved stability of rectifying error. This serial circuits of BL0932 all employ the 20 pins plastic or ceramic dual in-line package.

FEATURES:

- *Be able to accurately measure the active power in two directions, i.e. the positive direction and the negative direction; be able to accumulate the electric energy in the identical direction
- *Good linearity; and wide dynamic working range
- *Improved stability of rectifying error
- *With a true function for guarding against the electricity stealing
- *Supplies both fast and low pulse outputs (FP&LP), FP used to computer data processing and LP used to drive electrical motor
- *External characteristics and pin signals compatible with BL0931 and BL0932
- *High reliability and with a service life of more than 20 years

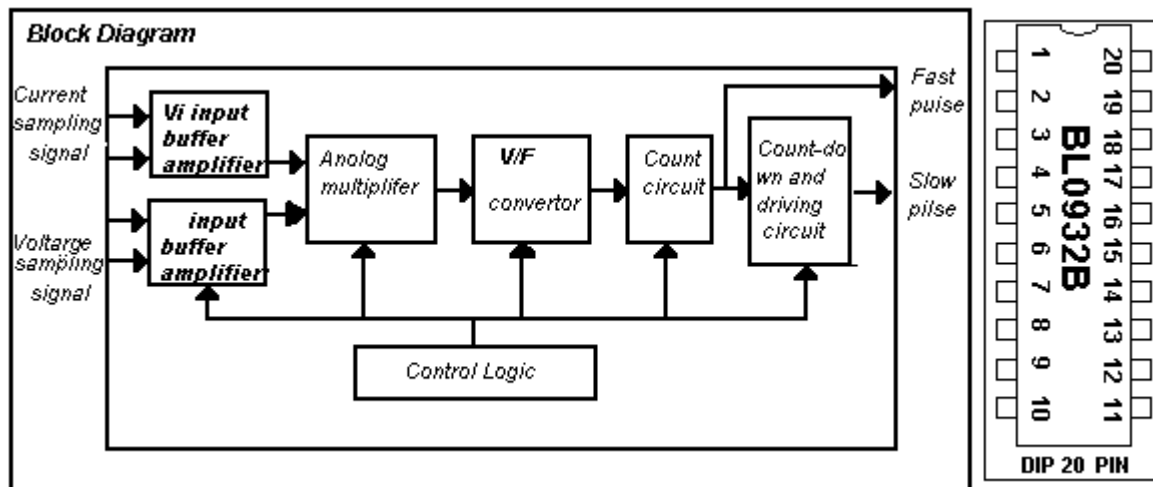
FUNCTION DESCRIPTION

*BL0932B is able to convert both positive and negative active power to the output pulse in the identical direction of the positive active power. The output of pin8 is high frequency pulse used in measuring and computer data processing.

*The output of pin13 and pin14 are lower frequency pulses used in driving pulse electrical motor, indirectly driving the mechanical meter to accumulate the used electric power. Therefore electric meters with a true function for guarding against the electricity stealing can be produced with the BL0932 serial chips. This kind of meter is able to accumulate positive and negative active power in identical direction and is highly praised by the electricity-supply department.

*It has high accuracy (<0.8%) in measuring both positive and negative active power, and it also has negative voltage output in pin9 used in indicating the negative direction of the input power.

*BL0932B is aimed at promoting the stability of rectifying error. Data indicates that when IA equals 5A, the ripple of large signal is about 0.3%. It is obvious that this performance is superior to BL0932.



Block Diagram