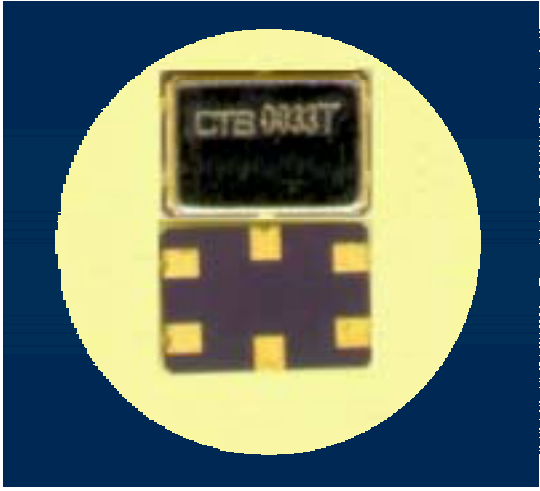


Features:

- 3-Pole IF Filter Performance
- Low Profile Seam Weld Package

Description and Applications:

Surface mount 5x7mm IF filter for use in analog wireless telecommunications equipment.

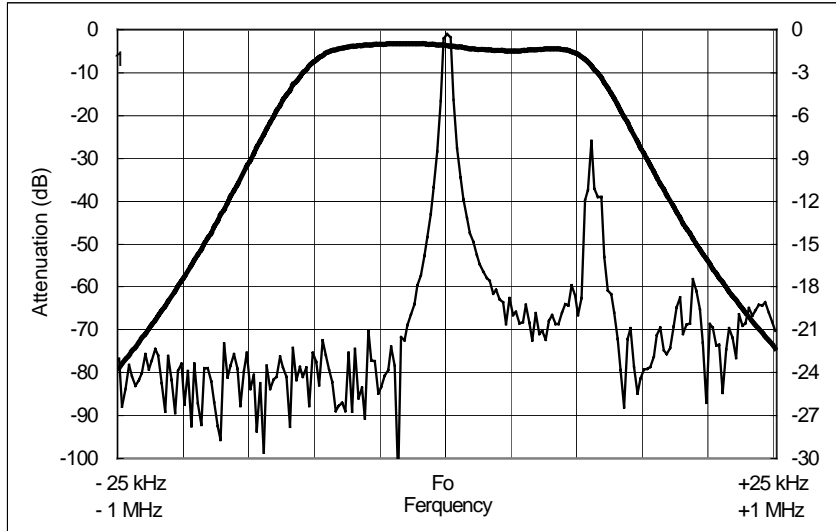


Electrical Specifications:

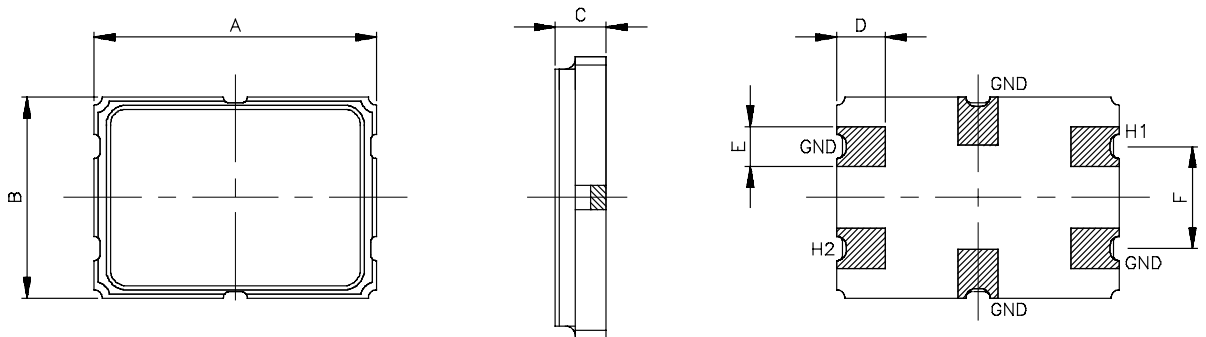
ATFN6039A	Specification
Center Frequency Fo	45.0 Mhz
Insertion Loss	3.0 dB max.
Ripple	1.0 dB max.
3 dB Passband	± 7.5 Khz
Stopband (± 60 Khz)	25 dB min
Spurious	15 dB min
Ultimate Attenuation (Fo-910 KHz)	70 dB min
Terminating Impedance	600Ω// 3.0pF
Operating Temperature	-30°C ~ +80°C

Crystal Filter

Filter Response:



Mechanical Dimensions (mm):



5x7 mm	A	B	C	D	E	F
	7.00	5.00	1.27	1.21	0.99	2.54
	±0.18	±0.18	±0.20	±0.13	±0.13	±0.13