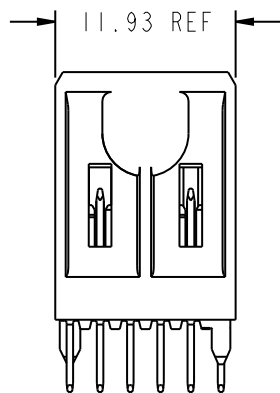
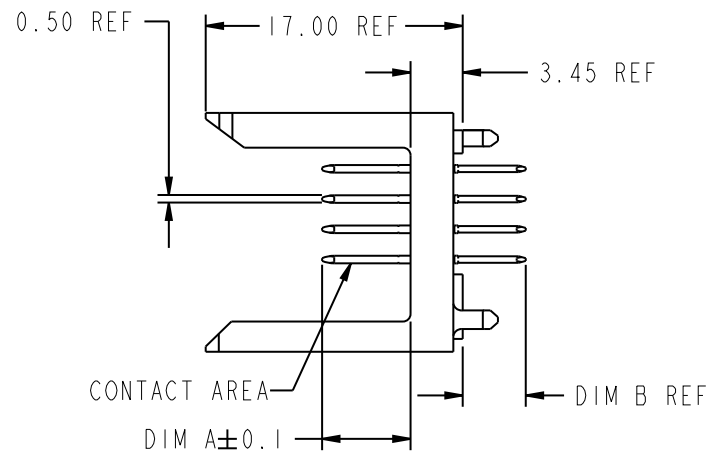
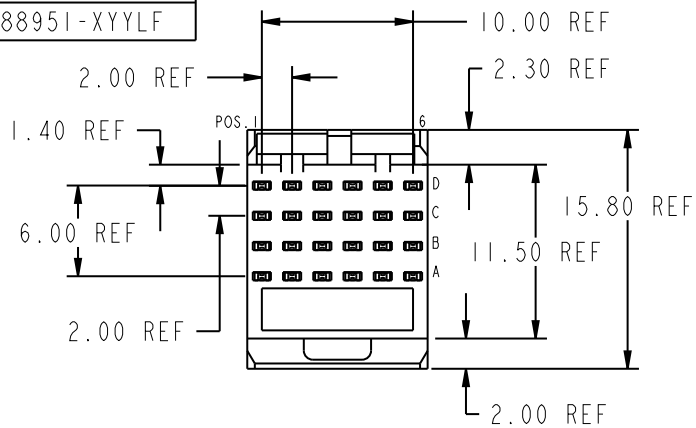


PRODUCT NUMBER
88951-XYX
88951-XYLF



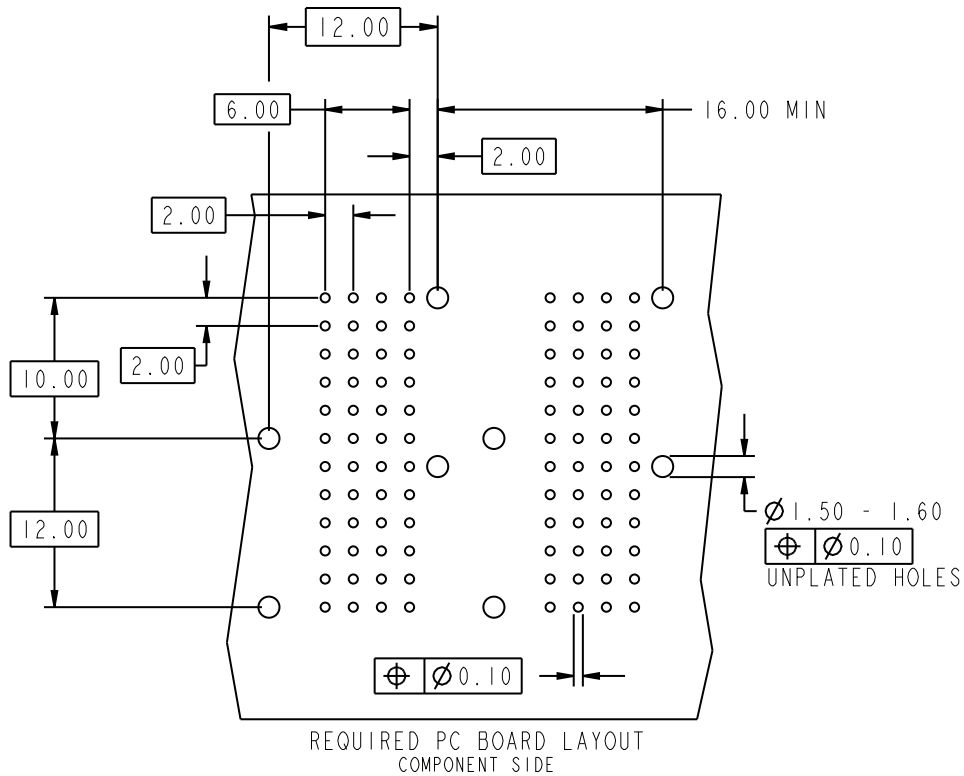
PLATING IN CONTACT AREA		
DASH NUMBER	PERFORMANCE LEVEL	NOTES
-NIYY	TELCORDIA CO (NXT)	-
-IYY	TELCORDIA CO	-
-2YY	TELECOM CLASS	-
-3YY	IEC CLASS I	-
-5YY	TELCORDIA UE	-
-NIYLF	TELCORDIA CO (NXT) IEC CLASS I	SEE NOTE 8
-IYLF	TELCORDIA CO IEC CLASS I	SEE NOTE 8
-2YLF	TELECOM CLASS	SEE NOTE 8
-5YLF	TELCORDIA UE	SEE NOTE 8
-361LF	CUSTOMER SPECIAL	SEE NOTE 8
-371LF	CUSTOMER SPECIAL	SEE NOTE 8

mat'l code				tolerances unless otherwise specified				CUSTOMER		FCJ		www.fciconnect.com	
ltr	ecm no.	dr	date	0.X ±0.3				COPY		title			
W	V06-0569	DCH2	06-06-13	0.XX ±0.13				projection		METRAL SIGNAL HEADER I MOD. 4 ROW STB			
X	DG09-0256	TER	2009-08-19	.XXX ±.051						product family			
-	-	-	-	0° ±2°						METRAL		code	
S	V03-1059	DAI	09/24/03	dr	T.BRUNGARD	11/19/99	MM		size		213		
T	V05-0393	DAI	04/26/05	enrg	M.STRAWSE	11/19/99			dwg no		sheet		
U	V05-1001	LP	11/17/05	chr	M.STRAWSE	11/19/99	2:1		A		1 of 7		
V	V06-0123	DAI	02/09/06	appd	M.STRAWSE	02/29/00			88951				
sheet	revision	X	X	X	X	X	X						
index	sheet	1	2	3	4	5	6	7					

This document is the property of and embodies CONFIDENTIAL and PROPRIETARY information of FCJ. No part of the information shown on this document may be used in any way or disclosed to others without the written consent of FCJ. Copyright FCJ.



This document is the property of and embodies CONFIDENTIAL and PROPRIETARY information of FCJ. No part of the information shown on this document may be used in any way or disclosed to others without the written consent of FCJ. Copyright FCJ.



REQUIRED PC BOARD LAYOUT
COMPONENT SIDE

SEE PRINT 58351 FOR
ADDITIONAL PCB INFORMATION

KEY		
CODE	DIMENSIONS	
	DIM "A" MATE	DIM "B" TAIL
1	5.00	4.25
2	5.75	4.25
3	6.50	4.25
4	7.25	4.25
5	5.00	3.30
6	5.75	3.30
7	6.50	3.30
8	7.25	3.30
9	5.00	2.65
10	5.75	2.65
11	6.50	2.65
12	7.25	2.65
13	8.00	4.25

mat'l code				tolerances unless otherwise specified		CUSTOMER		FCJ		www.fcjconnect.com	
ltr	ecr no.	dr	date	linear	0.X ±0.3		COPY		projection	title	
X					0.XX ±0.13		METRAL SIGNAL HEADER			I MOD. 4 ROW STB	
					.XXX ±.051		METRAL			code 213	
				angles	0° ±2°		MM		product family		
				dr	T.BRUNGARD	11/19/99	← MM →		size		
				enr	M.STRAWSE	11/19/99	scale		dwg no		
				chr	M.STRAWSE	11/19/99	2:1		88951		
				appd	M.STRAWSE	02/29/00	A		sheet 2		
sheet index	revision sheet								cage code		
									22526		

1 | 2

3 |

4

METRAL P/N	ROW	CONTACT CODE MOD. 1					
		1	2	3	4	5	6
88951-X01 SEE NOTE 9 LEAD FREE OPTION	D	1	1	1	1	1	1
	C	1	1	1	1	1	1
	B	1	1	1	1	1	1
	A	1	1	1	1	1	1

METRAL P/N	ROW	CONTACT CODE MOD. 1					
		1	2	3	4	5	6
88951-X05 SEE NOTE 9 LEAD FREE OPTION	D	3	3	3	3	3	3
	C	3	3	3	3	3	3
	B	3	3	3	3	3	3
	A	3	3	3	3	3	3

METRAL P/N	ROW	CONTACT CODE MOD. 1					
		1	2	3	4	5	6
88951-X09 SEE NOTE 9 LEAD FREE OPTION	D	4	4	4	4	4	4
	C	4	4	4	4	4	4
	B	4	4	4	4	4	4
	A	4	4	4	4	4	4

METRAL P/N	ROW	CONTACT CODE MOD. 1					
		1	2	3	4	5	6
88951-X13 SEE NOTE 9 LEAD FREE OPTION	D	1	1	1	1	1	1
	C	1	1	1	1	1	1
	B	3	3	3	3	3	3
	A	1	1	1	1	1	1

METRAL P/N	ROW	CONTACT CODE MOD. 1					
		1	2	3	4	5	6
88951-X02 SEE NOTE 9 LEAD FREE OPTION	D	1	1	1	1	1	1
	C	1	1	1	1	1	1
	B	1	1	1	1	1	1
	A	3	3	3	3	3	3

METRAL P/N	ROW	CONTACT CODE MOD. 1					
		1	2	3	4	5	6
88951-X06 SEE NOTE 9 LEAD FREE OPTION	D	2	2	2	2	2	2
	C	2	2	2	2	2	2
	B	2	2	2	2	2	2
	A	2	2	2	2	2	2

METRAL P/N	ROW	CONTACT CODE MOD. 1					
		1	2	3	4	5	6
88951-X10 SEE NOTE 9 LEAD FREE OPTION	D	1	1	1	1	1	1
	C	2	2	2	2	2	2
	B	3	3	3	3	3	3
	A	4	4	4	4	4	4

METRAL P/N	ROW	CONTACT CODE MOD. 1					
		1	2	3	4	5	6
88951-X15 SEE NOTE 9 LEAD FREE OPTION	D	2	2	2	2	2	2
	C	1	1	1	1	1	1
	B	2	2	2	2	2	2
	A	1	1	1	1	1	1

METRAL P/N	ROW	CONTACT CODE MOD. 1					
		1	2	3	4	5	6
88951-X03 SEE NOTE 9 LEAD FREE OPTION	D	3	3	3	3	3	3
	C	2	2	2	2	2	2
	B	2	2	2	2	2	2
	A	3	3	3	3	3	3

METRAL P/N	ROW	CONTACT CODE MOD. 1					
		1	2	3	4	5	6
88951-X07 SEE NOTE 9 LEAD FREE OPTION	D	3	3	3	3	3	3
	C	2	2	2	2	2	2
	B	2	2	2	2	2	2
	A	1	1	1	1	1	1

METRAL P/N	ROW	CONTACT CODE MOD. 1					
		1	2	3	4	5	6
88951-X11 SEE NOTE 9 LEAD FREE OPTION	D	3	3	3	3	3	3
	C	1	1	1	1	1	1
	B	3	3	3	3	3	3
	A	3	3	3	3	3	3

METRAL P/N	ROW	CONTACT CODE MOD. 1					
		1	2	3	4	5	6
88951-X16 SEE NOTE 9 LEAD FREE OPTION	D	2	2	2	2	2	2
	C	3	3	3	3	3	3
	B	4	4	4	4	4	4
	A	3	3	3	3	3	3

METRAL P/N	ROW	CONTACT CODE MOD. 1					
		1	2	3	4	5	6
88951-X04 SEE NOTE 9 LEAD FREE OPTION	D	4	4	4	4	4	4
	C	3	3	3	3	3	3
	B	3	3	3	3	3	3
	A	4	4	4	4	4	4

METRAL P/N	ROW	CONTACT CODE MOD. 1					
		1	2	3	4	5	6
88951-X08 SEE NOTE 9 LEAD FREE OPTION	D	3	3	3	3	3	3
	C	1	1	1	1	1	1
	B	1	1	1	1	1	1
	A	1	1	1	1	1	1

METRAL P/N	ROW	CONTACT CODE MOD. 1					
		1	2	3	4	5	6
88951-X12 SEE NOTE 9 LEAD FREE OPTION	D	4	4	4	4	4	4
	C	3	3	3	3	3	3
	B	2	2	2	2	2	2
	A	1	1	1	1	1	1

METRAL P/N	ROW	CONTACT CODE MOD. 1					
		1	2	3	4	5	6
88951-X17 SEE NOTE 9 LEAD FREE OPTION	D	2	2	2	2	2	2
	C	2	2	2	2	2	2
	B	2	2	2	2	2	2
	A	3	3	3	3	3	3



This document is the property of and embodies CONFIDENTIAL and PROPRIETARY information of FCI. No part of the information shown on this document may be used in any way or disclosed to others without the written consent of FCI. Copyright FCI.

mat'l code				tolerances unless otherwise specified		CUSTOMER		www.fciconnect.com		
ltr	ecr no.	dr	date	linear	0.X ±0.3	COPY			title METRAL SIGNAL HEADER 1 MOD. 4 ROW STB	
X					0.XX ±0.13	projection				
					.XXX ±.051					
				angles	0° ±2°			product family METRAL	code 213	
				dr	T.BRUNGARD	11/19/99	size A			sheet 3
				engr	M.STRAWSER	11/19/99				
				chr	M.STRAWSER	11/19/99				
				appd	M.STRAWSER	02/29/00	scale 2:1		cage code 22526	
sheet index	revision sheet									

1 | 2

3 |

4

Pro/E

1 | 2

3 |

4

METRAL P/N	ROW	CONTACT CODE MOD. 1					
		1	2	3	4	5	6
88951-X31 SEE NOTE 9 LEAD FREE OPTION	D	5	5	5	5	5	5
	C	5	5	5	5	5	5
	B	5	5	5	5	5	5
	A	5	5	5	5	5	5

METRAL P/N	ROW	CONTACT CODE MOD. 1					
		1	2	3	4	5	6
88951-X35 SEE NOTE 9 LEAD FREE OPTION	D	7	7	7	7	7	7
	C	7	7	7	7	7	7
	B	7	7	7	7	7	7
	A	7	7	7	7	7	7

METRAL P/N	ROW	CONTACT CODE MOD. 1					
		1	2	3	4	5	6
88951-X39 SEE NOTE 9 LEAD FREE OPTION	D	8	8	8	8	8	8
	C	8	8	8	8	8	8
	B	8	8	8	8	8	8
	A	8	8	8	8	8	8

METRAL P/N	ROW	CONTACT CODE MOD. 1					
		1	2	3	4	5	6
88951-X43 SEE NOTE 9 LEAD FREE OPTION	D	5	5	5	5	5	5
	C	5	5	5	5	5	5
	B	7	7	7	7	7	7
	A	5	5	5	5	5	5

METRAL P/N	ROW	CONTACT CODE MOD. 1					
		1	2	3	4	5	6
88951-X32 SEE NOTE 9 LEAD FREE OPTION	D	5	5	5	5	5	5
	C	5	5	5	5	5	5
	B	5	5	5	5	5	5
	A	7	7	7	7	7	7

METRAL P/N	ROW	CONTACT CODE MOD. 1					
		1	2	3	4	5	6
88951-X36 SEE NOTE 9 LEAD FREE OPTION	D	6	6	6	6	6	6
	C	6	6	6	6	6	6
	B	6	6	6	6	6	6
	A	6	6	6	6	6	6

METRAL P/N	ROW	CONTACT CODE MOD. 1					
		1	2	3	4	5	6
88951-X40 SEE NOTE 9 LEAD FREE OPTION	D	5	5	5	5	5	5
	C	6	6	6	6	6	6
	B	7	7	7	7	7	7
	A	8	8	8	8	8	8

METRAL P/N	ROW	CONTACT CODE MOD. 1					
		1	2	3	4	5	6
88951-X45 SEE NOTE 9 LEAD FREE OPTION	D	6	6	6	6	6	6
	C	5	5	5	5	5	5
	B	6	6	6	6	6	6
	A	5	5	5	5	5	5

METRAL P/N	ROW	CONTACT CODE MOD. 1					
		1	2	3	4	5	6
88951-X33 SEE NOTE 9 LEAD FREE OPTION	D	7	7	7	7	7	7
	C	6	6	6	6	6	6
	B	6	6	6	6	6	6
	A	7	7	7	7	7	7

METRAL P/N	ROW	CONTACT CODE MOD. 1					
		1	2	3	4	5	6
88951-X37 SEE NOTE 9 LEAD FREE OPTION	D	7	7	7	7	7	7
	C	6	6	6	6	6	6
	B	6	6	6	6	6	6
	A	5	5	5	5	5	5

METRAL P/N	ROW	CONTACT CODE MOD. 1					
		1	2	3	4	5	6
88951-X41 SEE NOTE 9 LEAD FREE OPTION	D	7	7	7	7	7	7
	C	5	5	5	5	5	5
	B	7	7	7	7	7	7
	A	7	7	7	7	7	7

METRAL P/N	ROW	CONTACT CODE MOD. 1					
		1	2	3	4	5	6
88951-X46 SEE NOTE 9 LEAD FREE OPTION	D	6	6	6	6	6	6
	C	7	7	7	7	7	7
	B	8	8	8	8	8	8
	A	7	7	7	7	7	7

METRAL P/N	ROW	CONTACT CODE MOD. 1					
		1	2	3	4	5	6
88951-X34 SEE NOTE 9 LEAD FREE OPTION	D	8	8	8	8	8	8
	C	7	7	7	7	7	7
	B	7	7	7	7	7	7
	A	8	8	8	8	8	8

METRAL P/N	ROW	CONTACT CODE MOD. 1					
		1	2	3	4	5	6
88951-X38 SEE NOTE 9 LEAD FREE OPTION	D	7	7	7	7	7	7
	C	5	5	5	5	5	5
	B	5	5	5	5	5	5
	A	5	5	5	5	5	5

METRAL P/N	ROW	CONTACT CODE MOD. 1					
		1	2	3	4	5	6
88951-X42 SEE NOTE 9 LEAD FREE OPTION	D	8	8	8	8	8	8
	C	7	7	7	7	7	7
	B	6	6	6	6	6	6
	A	5	5	5	5	5	5

METRAL P/N	ROW	CONTACT CODE MOD. 1					
		1	2	3	4	5	6
88951-X47 SEE NOTE 9 LEAD FREE OPTION	D	6	6	6	6	6	6
	C	6	6	6	6	6	6
	B	6	6	6	6	6	6
	A	7	7	7	7	7	7



This document is the property of and embodies CONFIDENTIAL and PROPRIETARY information of FCI. No part of the information shown on this document may be used in any way or disclosed to others without the written consent of FCI. Copyright FCI.

mat'l code				tolerances unless otherwise specified		CUSTOMER	FCI www.fciconnect.com	
ltr	ecr no.	dr	date	linear	0.X ±0.3	COPY	title	
X					0.XX ±0.13	projection	METRAL SIGNAL HEADER	
					.XXX ±.051		I MOD. 4 ROW STB	
				angles	0° ±2°	MM ←→ scale 2:1	product family	
		dr	T.BRUNGARD	11/19/99	METRAL		code	
		engr	M.STRAWSER	11/19/99	size		dwg no	213
		chr	M.STRAWSER	11/19/99	A		88951	sheet
		appd	M.STRAWSER	02/29/00		4		
sheet index	revision sheet							

1 | 2

Pro/E

3 |

cage code 22526

4

METRAL P/N	ROW	CONTACT CODE MOD. 1					
		1	2	3	4	5	6
88951-X61	D	9	9	9	9	9	9
SEE NOTE 9 LEAD FREE OPTION	C	9	9	9	9	9	9
	B	9	9	9	9	9	9
	A	9	9	9	9	9	9

METRAL P/N	ROW	CONTACT CODE MOD. 1					
		1	2	3	4	5	6
88951-X65	D	11	11	11	11	11	11
SEE NOTE 9 LEAD FREE OPTION	C	11	11	11	11	11	11
	B	11	11	11	11	11	11
	A	11	11	11	11	11	11

METRAL P/N	ROW	CONTACT CODE MOD. 1					
		1	2	3	4	5	6
88951-X69	D	12	12	12	12	12	12
SEE NOTE 9 LEAD FREE OPTION	C	12	12	12	12	12	12
	B	12	12	12	12	12	12
	A	12	12	12	12	12	12

METRAL P/N	ROW	CONTACT CODE MOD. 1					
		1	2	3	4	5	6
88951-X73	D	9	9	9	9	9	9
SEE NOTE 9 LEAD FREE OPTION	C	9	9	9	9	9	9
	B	11	11	11	11	11	11
	A	9	9	9	9	9	9

METRAL P/N	ROW	CONTACT CODE MOD. 1					
		1	2	3	4	5	6
88951-X62	D	9	9	9	9	9	9
SEE NOTE 9 LEAD FREE OPTION	C	9	9	9	9	9	9
	B	9	9	9	9	9	9
	A	11	11	11	11	11	11

METRAL P/N	ROW	CONTACT CODE MOD. 1					
		1	2	3	4	5	6
88951-X66	D	10	10	10	10	10	10
SEE NOTE 9 LEAD FREE OPTION	C	10	10	10	10	10	10
	B	10	10	10	10	10	10
	A	10	10	10	10	10	10

METRAL P/N	ROW	CONTACT CODE MOD. 1					
		1	2	3	4	5	6
88951-X70	D	9	9	9	9	9	9
SEE NOTE 9 LEAD FREE OPTION	C	10	10	10	10	10	10
	B	11	11	11	11	11	11
	A	12	12	12	12	12	12

METRAL P/N	ROW	CONTACT CODE MOD. 1					
		1	2	3	4	5	6
88951-X75	D	10	10	10	10	10	10
SEE NOTE 9 LEAD FREE OPTION	C	9	9	9	9	9	9
	B	10	10	10	10	10	10
	A	9	9	9	9	9	9

METRAL P/N	ROW	CONTACT CODE MOD. 1					
		1	2	3	4	5	6
88951-X63	D	11	11	11	11	11	11
SEE NOTE 9 LEAD FREE OPTION	C	10	10	10	10	10	10
	B	10	10	10	10	10	10
	A	11	11	11	11	11	11

METRAL P/N	ROW	CONTACT CODE MOD. 1					
		1	2	3	4	5	6
88951-X67	D	11	11	11	11	11	11
SEE NOTE 9 LEAD FREE OPTION	C	10	10	10	10	10	10
	B	10	10	10	10	10	10
	A	9	9	9	9	9	9

METRAL P/N	ROW	CONTACT CODE MOD. 1					
		1	2	3	4	5	6
88951-X71	D	11	11	11	11	11	11
SEE NOTE 9 LEAD FREE OPTION	C	9	9	9	9	9	9
	B	11	11	11	11	11	11
	A	11	11	11	11	11	11

METRAL P/N	ROW	CONTACT CODE MOD. 1					
		1	2	3	4	5	6
88951-X76	D	10	10	10	10	10	10
SEE NOTE 9 LEAD FREE OPTION	C	11	11	11	11	11	11
	B	12	12	12	12	12	12
	A	11	11	11	11	11	11

METRAL P/N	ROW	CONTACT CODE MOD. 1					
		1	2	3	4	5	6
88951-X64	D	12	12	12	12	12	12
SEE NOTE 9 LEAD FREE OPTION	C	11	11	11	11	11	11
	B	11	11	11	11	11	11
	A	12	12	12	12	12	12

METRAL P/N	ROW	CONTACT CODE MOD. 1					
		1	2	3	4	5	6
88951-X68	D	11	11	11	11	11	11
SEE NOTE 9 LEAD FREE OPTION	C	9	9	9	9	9	9
	B	9	9	9	9	9	9
	A	9	9	9	9	9	9

METRAL P/N	ROW	CONTACT CODE MOD. 1					
		1	2	3	4	5	6
88951-X72	D	12	12	12	12	12	12
SEE NOTE 9 LEAD FREE OPTION	C	11	11	11	11	11	11
	B	10	10	10	10	10	10
	A	9	9	9	9	9	9

METRAL P/N	ROW	CONTACT CODE MOD. 1					
		1	2	3	4	5	6
88951-X77	D	10	10	10	10	10	10
SEE NOTE 9 LEAD FREE OPTION	C	10	10	10	10	10	10
	B	10	10	10	10	10	10
	A	11	11	11	11	11	11



This document is the property of and embodies CONFIDENTIAL and PROPRIETARY information of FCI. No part of the information shown on this document may be used in any way or disclosed to others without the written consent of FCI. Copyright FCI.

mat'l code				--		tolerances unless otherwise specified		CUSTOMER		 www.fciconnect.com	
ltr	ecr no.	dr	date	linear	0.X ±0.3		COPY		title METRAL SIGNAL HEADER 1 MOD. 4 ROW STB		
X					0.XX ±0.13		projection				
					.XXX ±.051						
				angles	0° ±2°				product family METRAL code size 213 dwg no 88951 sheet 5		
				dr	T.BRUNGARD	11/19/99					
				engr	M.STRAWSER	11/19/99	scale 2:1				
				chr	M.STRAWSER	11/19/99					
				appd	M.STRAWSER	02/29/00					
sheet index	revision sheet										

METRAL P/N	ROW	CONTACT CODE MOD. 1					
		1	2	3	4	5	6
88951-X78 SEE NOTE 9 LEAD FREE OPTION	D	2	2	2	2	2	2
	C	2	2	2	2	2	2
	B	4	4	4	4	4	4
	A	2	2	2	2	2	2

METRAL P/N	ROW	CONTACT CODE MOD. 1					
		1	2	3	4	5	6
88951-X82 SEE NOTE 9 LEAD FREE OPTION	D	9	9	9	9	9	9
	C	9	9	9	9	9	9
	B	9	9	9	9	9	9
	A	9	9	9	9	9	9

METRAL P/N	ROW	CONTACT CODE MOD. 1					
		1	2	3	4	5	6
88951-X86 SEE NOTE 9 LEAD FREE OPTION	D	10	10	10	10	10	10
	C	10	10	10	10	10	10
	B	12	12	12	12	12	12
	A	10	10	10	10	10	10

METRAL P/N	ROW	CONTACT CODE MOD. 1					
		1	2	3	4	5	6
88951-X79 SEE NOTE 9 LEAD FREE OPTION	D	3	3	3	3	3	3
	C	4	4	4	4	4	4
	B	13	13	13	13	13	13
	A	13	13	13	13	13	13

METRAL P/N	ROW	CONTACT CODE MOD. 1					
		1	2	3	4	5	6
88951-X83 SEE NOTE 9 LEAD FREE OPTION	D	9	9	9	9	9	9
	C	9	9	9	9	9	9
	B	9	9	9	9	9	9
	A	11	11	11	11	11	11

METRAL P/N	ROW	CONTACT CODE MOD. 1					
		1	2	3	4	5	6
88951-X87 SEE NOTE 9 LEAD FREE OPTION	D	10	10	10	10	10	10
	C	10	10	10	10	10	10
	B	10	10	10	10	10	10
	A	10	10	10	10	10	10

METRAL P/N	ROW	CONTACT CODE MOD. 1					
		1	2	3	4	5	6
88951-X80 SEE NOTE 9 LEAD FREE OPTION	D	3	3	3	3	3	3
	C	3	3	3	3	3	3
	B	13	13	13	13	13	13
	A	3	3	3	3	3	3

METRAL P/N	ROW	CONTACT CODE MOD. 1					
		1	2	3	4	5	6
88951-X84 SEE NOTE 9 LEAD FREE OPTION	D	12	12	12	12	12	12
	C	11	11	11	11	11	11
	B	11	11	11	11	11	11
	A	12	12	12	12	12	12

METRAL P/N	ROW	CONTACT CODE MOD. 1					
		1	2	3	4	5	6
88951-X88 SEE NOTE 9 LEAD FREE OPTION	D	12	12	12	12	12	12
	C	12	12	12	12	12	12
	B	12	12	12	12	12	12
	A	12	12	12	12	12	12

METRAL P/N	ROW	CONTACT CODE MOD. 1					
		1	2	3	4	5	6
88951-X81 SEE NOTE 9 LEAD FREE OPTION	D	13	13	13	13	13	13
	C	13	13	13	13	13	13
	B	13	13	13	13	13	13
	A	13	13	13	13	13	13

METRAL P/N	ROW	CONTACT CODE MOD. 1					
		1	2	3	4	5	6
88951-X85 SEE NOTE 9 LEAD FREE OPTION	D	11	11	11	11	11	11
	C	11	11	11	11	11	11
	B	11	11	11	11	11	11
	A	11	11	11	11	11	11

METRAL P/N	ROW	CONTACT CODE MOD. 1					
		1	2	3	4	5	6
88951-X89 SEE NOTE 9 LEAD FREE OPTION	D	6	6	6	6	6	6
	C	6	6	6	6	6	6
	B	8	8	8	8	8	8
	A	6	6	6	6	6	6



This document is the property of and embodies CONFIDENTIAL and PROPRIETARY information of FCI. No part of the information shown on this document may be used in any way or disclosed to others without the written consent of FCI. Copyright FCI.

mat'l code				tolerances unless otherwise specified		CUSTOMER		www.fciconnect.com		
ltr	ecr no.	dr	date	linear	0.X ±0.3	COPY			title METRAL SIGNAL HEADER 1 MOD. 4 ROW STB	
X					0.XX ±0.13	projection				
					.XXX ±.051					
				angles	0° ±2°			product family METRAL	code 213	
				dr	T.BRUNGARD	11/19/99	size 88951			sheet 6
				engr	M.STRAWSER	11/19/99				
				chr	M.STRAWSER	11/19/99				
				appd	M.STRAWSER	02/29/00	scale 2:1		cage code 22526	
sheet index	revision sheet									

PRODUCT NUMBER
88951-XYX
88951-XYLF

NOTES:

- FOR DIM A AND B SEE SHEET 2 AND UP.
- BODY MATERIAL: LIQUID CRYSTAL
POLYMER 30 % GLASS.
FLAME RETARDANT ACC. UL 94-V0.
- PIN MATERIAL:
PHOSPHOR BRONZE.
- PLATING ON SOLDER TO BOARD:
88951 -XYX IS SnPb
88951-XYLF IS SN (LEAD FREE)
PLATING ON CONTACT AREA CONFORMS TO PERFORMANCE LEVEL SHOWN IN TABLE.
- PRODUCT MARKING:
PART NUMBER DESIGNATION & BATCH I.D.
- ALL PRODUCTS WITH PART NUMBERS SHOWN IN SUBSEQUENT TABLES WILL BE PACKAGED IN TUBES. IF TRAY PACKAGING IS REQUIRED, A SUFFIX "P" WILL BE ADDED TO THE END OF THE PART NUMBER. EXAMPLE: XXXXX-XXXX OR XXXXX-XXXPLF
- PRODUCT SPECIFICATION GS-12-180
APPLICATION SPECIFICATION BUS-20-074
- THE PRODUCTS WHERE THE PART NUMBER ENDS IN LF MEET THE EUROPEAN UNION DIRECTIVES AND OTHER COUNTRY REGULATIONS AS DESCRIBED IN GS-22-008.
- FOR LEAD FREE PART NUMBERS, ADD AN "LF" SUFFIX. EXAMPLE: 88951-X0ILF
- ALL PRODUCTS EXCEPT THOSE WITH PART NUMBERS CONTAINING (DRAWING NO.)-N1--- OR (DRAWING NO.)-N5---WILL WITHSTAND EXPOSURE TO 260°C FOR 60 SECONDS IN A CONVECTION, INFRA-RED OR VAPOR PHASE REFLOW OVEN. PART NUMBERS (DRAWING NO.)-N1--- AND (DRAWINGS NO.)-N5---WILL NOT WITHSTAND REFLOW AND Au CONTACT SURFACE OF THE CONTACTS SHALL BE EXPOSED TO A MAXIMUM 140°C FOR NO LONGER THAN 15 SECONDS IN A WAVE SOLDER APPLICATION.

A

A



This document is the property of and embodies CONFIDENTIAL and PROPRIETARY information of FCI. No part of the information shown on this document may be used in any way or disclosed to others without the written consent of FCI. Copyright FCI.

B

B

mat'l code				tolerances unless otherwise specified		CUSTOMER		www.fciconnect.com	
ltr	ecn no.	dr	date	linear	0.X ±0.3		COPY		title METRAL SIGNAL HEADER 1 MOD. 4 ROW STB
X					0.XX ±0.13		projection		
					.XXX ±.051				
				angles	0° ±2°				product family METRAL code 213 size dwg no 88951 sheet 7
				dr	T.BRUNGARD	11/19/99	MM		
				enr	M.STRAWSER	11/19/99			
				chr	M.STRAWSER	11/19/99	scale 1:1		
				appd	M.STRAWSER	02/29/00	A		
sheet index	revision sheet								