



ECONOSWITCH—ENVIRONMENTALLY SEALED SWITCHES

Series—8536, 8537, 8538

Econoswitch Sealed Leverlock Toggle Switches

FEATURES

- Environmentally sealed
- 1, 2, and 4 pole circuitry
- Locking actuator for safety
- One hole mounting for easy installation
- Over 25 standard locking configurations to choose from
- 2 & 3 position with maintained and momentary action
- Three types of termination offered as standard

SPECIFICATIONS

- Watertight seal per MIL-STD-108E exceeds IP66/67
- UL recognized and CSA certified
- Temperature range: -50°F to +150°F (-46°C to +66°C)
- Life: 50,000 operations at rated load
100,000 operations mechanical life
- Bushing: 15/32" - 32 thread

CURRENT RATINGS

No. of Poles	Catalog Number	Type of Operation	28VDC			115VAC 60 or 400Hz		
			Lamp Load	Resistive Load	Inductive Load	Lamp Load	Resistive Load	Inductive Load
1	8536	Maintained Momentary	5	20	15	3	15	10
			4	15	10	2	15	7
2	8537	Maintained Momentary	7	20	15	4	15	15
			5	18	10	2	11	8
4	8538	Maintained Momentary	5	20	12	4	15	15
			4	18	10	2	11	8

For the UL/CSA ratings see page 72.

TOGGLE SWITCHES

LEVER LOCK SELECTION TABLE

	CIRCUIT WITH LEVER IN...			CATALOG NUMBER			
	Up Position	Center Position	Down Position (Keyway)	Screw Terminals	Solder Lug Terminals	Spade Terminals	Available Locking Configurations
8536 	ONE POLE						
	ON	OFF	ON	8536K1	8536K91	8536K31	ALL
	ON	NONE	OFF	K9	K99	K39	D, F, G
	ON	NONE	ON	K4	K94	K34	D, F, G
	ON	OFF	NONE	K6	K96	K36	E, F, K, M
	ON	OFF*	NONE	K8	K98	K38	F
	ON	NONE	ON*	8536K5	853K95	8536K35	F
	ON	OFF	ON	K2	K92	K32	E, L, N
	NONE	OFF	ON*	K7	K97	K37	E
	ON	NONE	OFF*	K10	K910	K310	F
	OFF	NONE	ON*	K11	K911	K311	F
	ON	OFF	ON	8536K3	8536K93	8536K33	E, F, K, L, M, N
*ON	ON	NONE	K12	K912	K312	E	
ON	ON	NONE	K13	K913	K313	E, F, K, M	
8537 	TWO POLE						
	ON	OFF	ON	8537K1	8537K91	8537K31	ALL
	ON	NONE	OFF	K9	K99	K39	D, F, G
	ON	NONE	ON	K4	K94	K34	D, F, G
	ON	OFF	NONE	K6	K96	K36	E, F, K, M
	ON	OFF*	NONE	K8	K98	K38	F
	ON	NONE	ON*	8537K5	8537K95	8537K35	F
	ON	OFF	ON	K2	K92	K32	E, L, N
	NONE	OFF	ON*	K7	K97	K37	E
	ON	NONE	OFF*	K10	K910	K310	F
	OFF	NONE	ON*	K11	K911	K311	F
	ON	OFF	ON*	8537K3	8537K93	8537K33	E, F, K, L, M, N
*ON	ON	NONE	K12	K912	K312	E	
ON	ON	NONE	K13	K913	K313	E, F, K, M	
ON	ON	ON	8537K14	8537K914	8537K314	ALL	
ON	ON	ON*	K15	K915	K315	E, F, K, L, M, N	
ON	ON	ON	K16	K916	K316	E, L, N	
8538 	FOUR POLE						
	ON	OFF	ON	8538K1	8538K91	8538K31	ALL
	ON	NONE	OFF	K9	K99	K39	D, F, G
	ON	NONE	ON	K4	K94	K34	D, F, G
	ON	OFF	NONE	K6	K96	K36	E, F, K, M
	ON	OFF*	NONE	K8	K98	K38	F
	ON	NONE	ON*	8538K5	8538K95	8538K35	F
	ON	OFF	ON	K2	K92	K32	E, L, N
	NONE	OFF	ON	K7	K97	K37	E
	ON	NONE	OFF*	K10	K910	K310	F
	OFF	NONE	ON*	K11	K911	K311	F
	ON	OFF	ON*	8538K3	8538K93	8538K33	E, F, K, L, M, N
*ON	ON	NONE	K12	K912	K312	E	
ON	ON	NONE	K13	K913	K313	E, F, K, M	
ON	ON	ON	8538K15	8538K915	8538K315	ALL	
ON	ON	ON*	K16	K916	K316	E, F, K, L, M, N	
ON	ON	ON	K17	K917	K317	E, L, N	

* Momentary contact.

Complete part number requires this symbol to be replaced with a locking configuration letter—selected from Page 24.

Example: **8536K31** Δ **E** **8536K31E**
 Basic Switch Locking Style Complete Part Number

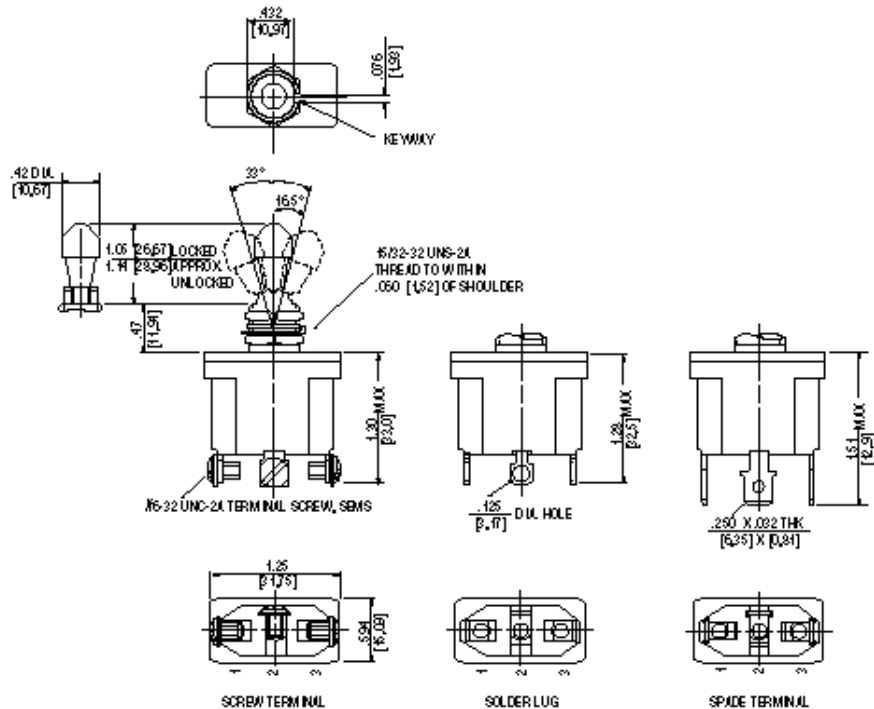
See page 73 for circuit diagrams.

ECONOSWITCH—ENVIRONMENTALLY SEALED SWITCHES

Series—8536, 8537, 8538

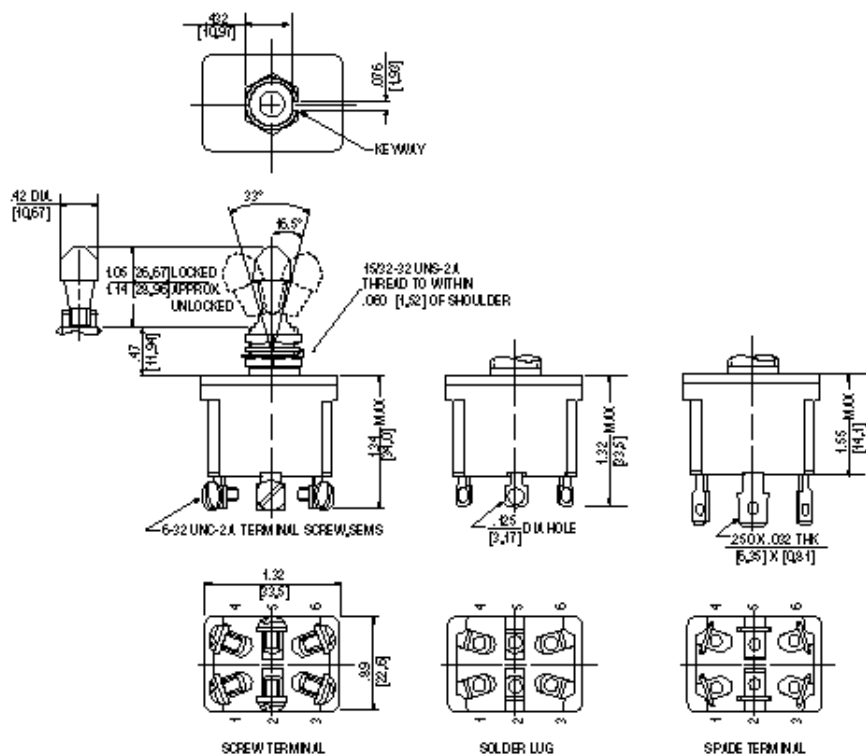
Econoswitch Sealed Leverlock Toggle Switches

MOUNTING DIMENSIONS—ONE POLE / 8536



Terminal Identification

MOUNTING DIMENSIONS—TWO POLE / 8537



Terminal Identification

STANDARD
0.00 = inches
[0.0] = mm

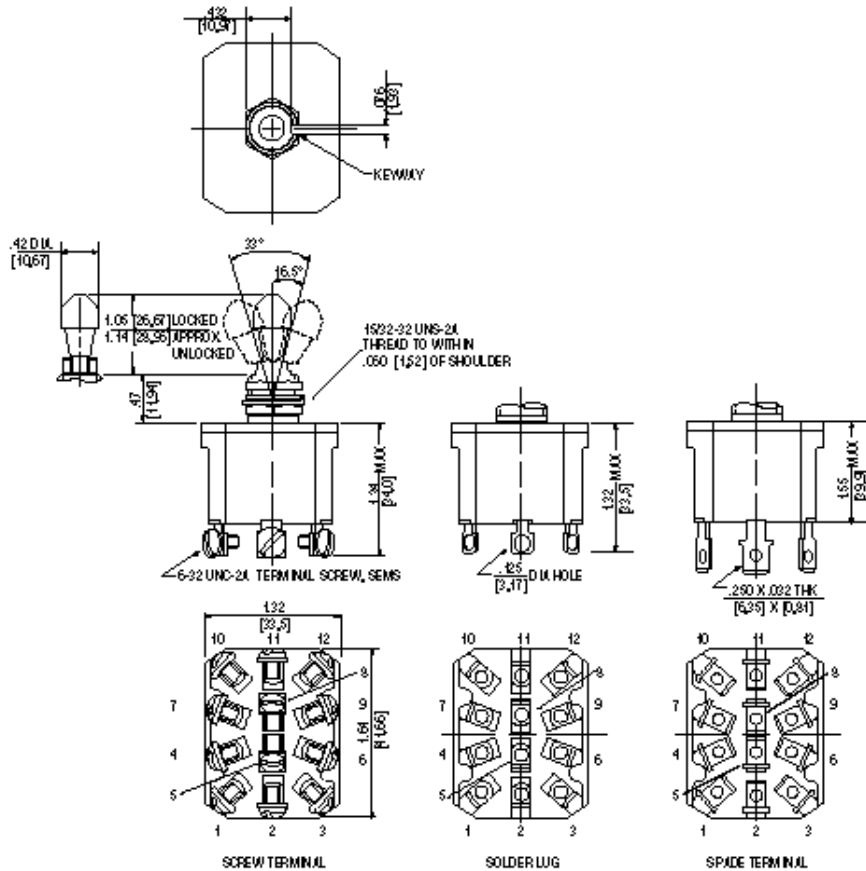
Mounting dimensions for refer
Non-functional terminals not supplied.

ECONOSWITCH—ENVIRONMENTALLY SEALED SWITCHES

Series—8536, 8537, 8538

Econoswitch Sealed Leverlock Toggle Switches

MOUNTING DIMENSIONS—FOUR POLE / 8538

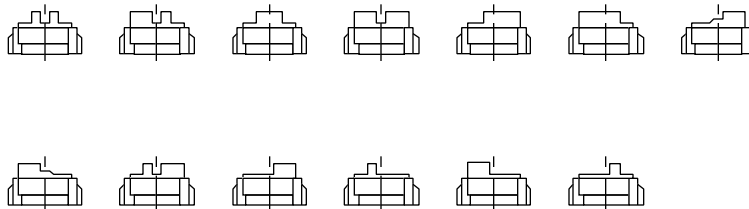


Terminal Identification

Non-functional terminals not supplied.

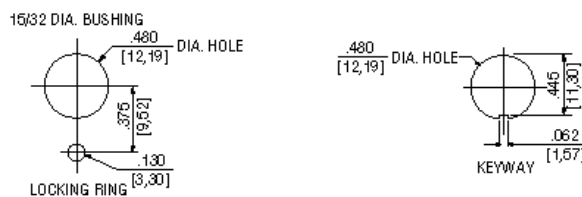
OPTIONS/ACCESSORIES

- Special mounting hardware
- Mounting hardware furnished assembled
- Terminal screws furnished assembled
- Special circuits
- Panel seal, Part Number 32-341



Figures A thru P do not represent details of construction. They schematically illustrate locking functions.

PANEL CUTOUT DIMENSIONS



STANDARD
0.00 = inches
[0.0] = mm

Mounting dimensions for reference only.