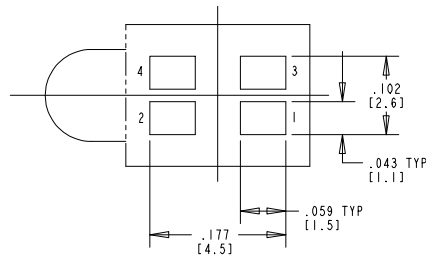


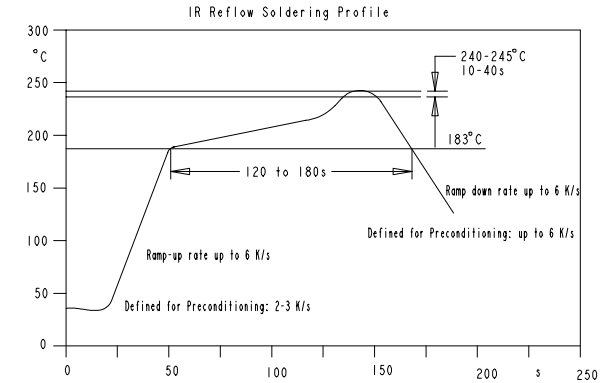
REV	ECN NO	REVISIONS	DRN	CKD	APP	DATE
A		NEW RELEASE	JMC	N.O.	MES	6-24-04
B		IN NOTE 8 -3201- WAS -3101- IN ERROR; RED CATHODE I.D. WAS YELLOW	JMC			

BI-COLOR OPERATING CHARACTERISTICS AT T _A = 25 °C AMBIENT															
DIALIGHT P/N	COLOR	I _F (mA)	FORWARD VOLTAGE (V)		LUMINOUS INTENSITY (mcd)		REVERSE CURRENT (µA)		PEAK WAVELENGTH (nm)		DOMINANT WAVELENGTH (nm)		REVISIONS		
			TYP.	MAX.	MIN.	TYP.	MAX.	TYP.	MAX.	TYP.	MIN.	TYP.	MAX.	REV.	ECN.
591-3201-002	SUPER RED YELLOW	10	2.0	2.6	5.7 2.7	7.0 4.0	10	635 586	622 584	628 590	634 596	A		JMC	4-30-04
591-3201-007	SUPER RED YELLOW	10	2.0	2.6	5.7 2.7	7.0 4.0	10	635 586	622 584	628 590	634 596	A		JMC	4-30-04
591-3201-013	SUPER RED YELLOW	10	2.0	2.6	5.7 2.7	7.0 4.0	10	635 586	622 584	628 590	634 596	A		JMC	4-30-04

ABSOLUTE MAXIMUM RATING AT 25°C AMBIENT	591-3101-XXX			UNITS
	002 SUPER RED YELLOW	007 SUPER RED YELLOW	013 SUPER RED YELLOW	
POWER CONSUMPTION	95			mW
CONTINUOUS FORWARD CURRENT	30			mA
DERATE LINEARLY FROM 55°C	0.66			mA/°C
PEAK FORWARD CURRENT (t ≤ 10µs)	0.5			V
PEAK REVERSE VOLTAGE	12			V
OPERATING TEMPERATURE	-40 TO +100			°C
STORAGE TEMPERATURE				

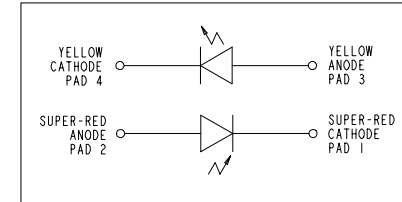
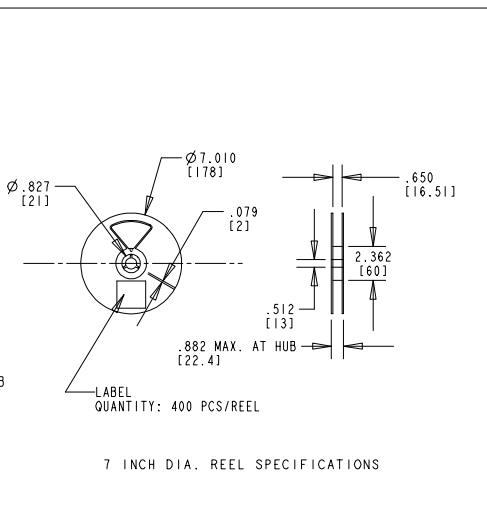
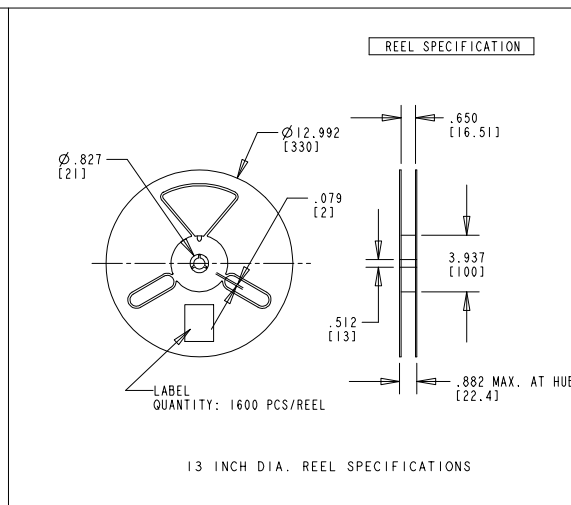
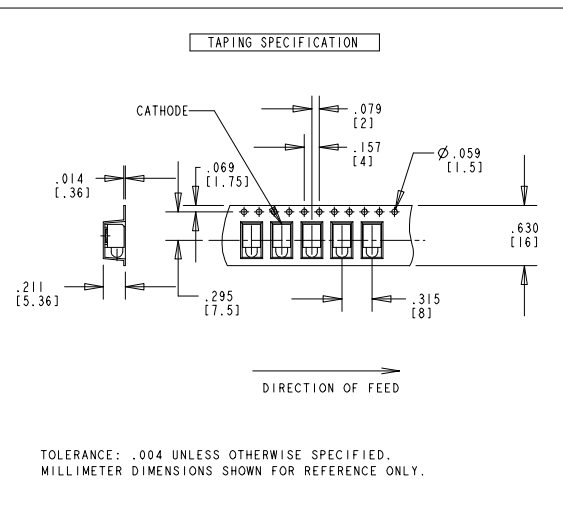
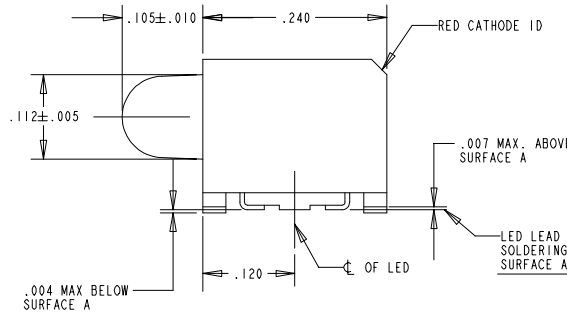
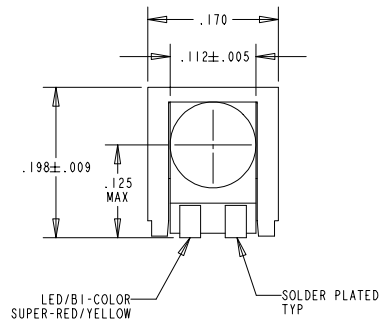


COMPONENT SIDE
RECOMMENDED PC BOARD LAND PATTERN
(DIM'S ± .004)



NOTES:

- MILLIMETER DIMENSIONS SHOWN FOR REFERENCE ONLY.
- PAD NUMBERS FOR REFERENCE ONLY. DESIGNATION NON-EXISTENT ON PART.
- STORAGE CONDITIONS FOR TAPED PRODUCT: RE-TAPING MAY BE NECESSARY FOR PRODUCT STORED MORE THAN TWELVE MONTHS.
- ORDER QUANTITY IS LED ASSEMBLIES. NOT REELS.
- 002 SUFFIX MEANS PARTS ARE PACKED ON A 20 PCS SAMPLE STRIP.
-007 SUFFIX MEANS PARTS ARE PACKED ON 7 INCH REEL, 400 PCS/REEL.
-013 SUFFIX MEANS PARTS ARE PACKED ON A 13 INCH REEL, 1600 PCS/REEL.
- LENS MOVEMENT IN RELATIONSHIP TO THE HOUSING IS:
.009" T.I.R. VERTICALLY.
.007" T.I.R. HORIZONTALLY.
- FRONT AND REAR TERMINALS OF ASSEMBLY TO BE WITHIN .005 COPLANARITY.
- DIALIGHT PART NUMBER: 591-3201-002, 591-3201-007, 591-3201-013.
- DEVICE HAS A MOISTURE SENSITIVITY LEVEL "2" CAUTION LABEL APPLIED AS PER JEDEC STD. 033.



THIS DRAWING AND THE CONTENTS HEREIN ARE CONFIDENTIAL AND THE SOLE PROPERTY OF DIALIGHT. REPRODUCTION OF THIS DRAWING OR CONSTRUCTION OF ANY PARTS WITHIN THIS DRAWING ARE FORBIDDEN WITHOUT THE WRITTEN CONSENT OF DIALIGHT.		
SCALE: 8:1	DRAWING NUMBER	REV
ALL DIM'S IN: INCHES (MM)	C-16936	B
TOLERANCES: UNLESS OTHERWISE SPECIFIED	TITLE	
FRACTIONS: ±1/64	3mm PRISM SURFACE MOUNT CBI	
DECIMALS (.XX): ±.02	MATERIAL	
DECIMALS (.XXX): ±.015		
DECIMALS (.XXXX): ±.0005		
ANGLES: ±1°		
FINISH:		
FSCM 83330	1501 ROUTE 34 SOUTH FARMINGDALE, NJ 07127	
SHEET 1 OF 1 FAMILY TABLES:		