

# RED INDICATES ORIGINAL

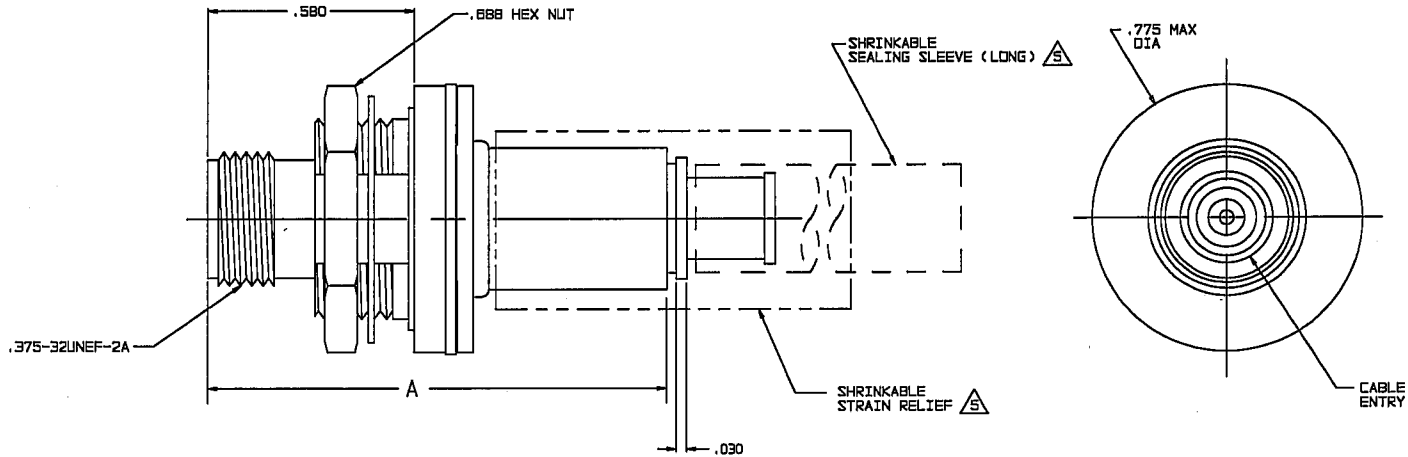
DASH NO	CABLES ACCOMMODATED	A DIM	B HEX	ASSEMBLE PER
-201	M17/175-0002	1.164	.255	TAI-143
-202	TWC-78-1			
-203	TWC-124-1A			
-204	10602, RAYCHEM			
-205	TWAC-78-1F2	1.289	.344	TAI-144
-206	782800130, RAYCHEM			
-207	83310 BELDEN			
-208	202-3927 MICRODOT			
-209	202-3942 MICRODOT	1.164	.255	TAI-143
-210	B451 BELDEN			
-211	202-3934 MICRODOT			
-212	2524E0114, RAYCHEM			
-213	TWC-78-2	1.289	.344	TAI-144
-214	TWC-124-2			
-215	BL-882 TIMES			
-216	BL-1242 TIMES			
-217	GCB75TM24H, GRUMMAN	1.164	.255	TAI-143
-218	EPD 221888, RAYCHEM			
-219	252601114, RAYCHEM			
-220	GCB75RR1, GRUMMAN			
-221	10614, RAYCHEM	1.289	.344	TAI-144
-222	10613, RAYCHEM			
-223	HMS2-1149, HUGHES			
-224	TWCP-124-3			
-225	PS885PL, PRIME STOCK			

DATA CONTAINED IN THIS DOCUMENT IS PROPRIETARY TO TROMPETER ELECTRONICS, INC. AND SHALL NOT BE DISCLOSED, COPIED OR USED FOR REPRODUCTION OR MANUFACTURE WITHOUT EXPRESS WRITTEN PERMISSION.

REVISIONS			3-0231	SH 1	
REV	ED	DESCRIPTION	DWN	APPROVED	DATE
K	12391	ADDED -224 & -225; SEE ECO	DBN	WAM	30 9/7/98

DASH NO	CABLES ACCOMMODATED	A DIM	B HEX	ASSEMBLE PER
-301	GCB75GC1, GRUMMAN	1.164	.255	TAI-157
-302	GCB75GB1, GRUMMAN			
-303	502265111, RAYCHEM			
-304	7528A5314, RAYCHEM	1.289	.344	TAI-173
-305	M17/177-00001/295-3804 MICRODOT			
-306	TRC-50-2			
-307	M17/134-00002			
-308	TRC-75-1	1.164	.255	TAI-157
-309	TRC-75-2			
-309	TRC-50-1			

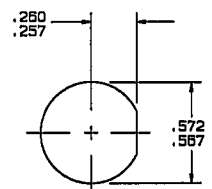
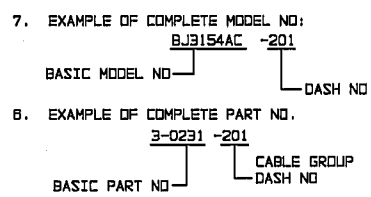
INCH	MM
.005	0.13
.030	0.76
.118	2.95
.255	6.48
.257	6.53
.280	6.60
.344	8.74
.567	14.40
.572	14.53
.590	14.73
.688	17.48
.775	19.69
1.00	25.40
1.164	29.57
1.25	31.75
1.289	32.74
1.75	44.45



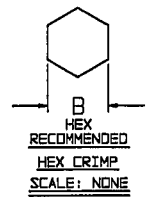
-207 SHOWN

- 1 SHRINKABLE STRAIN RELIEF AND/OR SHRINKABLE SEALING SLEEVE SUPPLIED LOOSE AS FOLLOWS:
- a. CABLE GROUPS -207, -210 & -307;
    - 1 SHRINKABLE STRAIN RELIEF (1.00 LONG)
    - 1 SHRINKABLE SEALING SLEEVE (1.25 LONG)
  - b. CABLE GROUPS -201 THROUGH -206, -208, -209, -217 THROUGH -223, -301, -302, -303 & -309
    - 1 SHRINKABLE SEALING SLEEVE (1.25 LONG)
  - c. CABLE GROUPS -211 THROUGH -216, -305, -306 & -308
    - 1 SHRINKABLE STRAIN RELIEF (1.75 LONG)

- 4. MAX PANEL THK .118
- 3. 4-LUG SUBMINIATURE CONCENTRIC TWINAX (4 PIECE ASSY) AND TRIAX (6 PIECE ASSY) FULL CRIMP INSULATED BULKHEAD MOUNT RECEPTACLE
- 2. FINISH: TFS-1A (NICKEL)
- 1. ALL DIMENSIONS ARE IN INCHES



RECOMMENDED  
 PANEL CUTOUT  
 SCALE: NONE



QTY	DESCRIPTION	PART NUMBER	ITEM
TOL UNLESS SPECIFIED .001 & .005 .0005 & .005 .00005 & .0005 ANGLES	<b>TROMPETER ELECTRONICS, INC.</b>	BJ3154AC	
DWN DBN 3/21/98	MATERIAL CODE IDENT	DRAWING NO.	REV
CHK WAM 3-21-98	14949	3-0231	K
ENGR	SCALE 4/1	DATE 5-31-85	SHEET 1 OF 2
APPR FR 9/7/98			