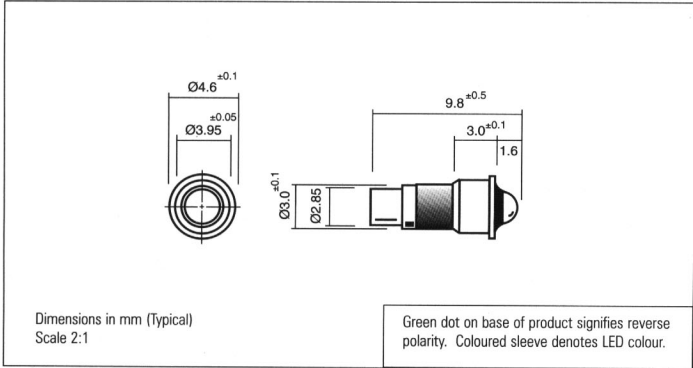
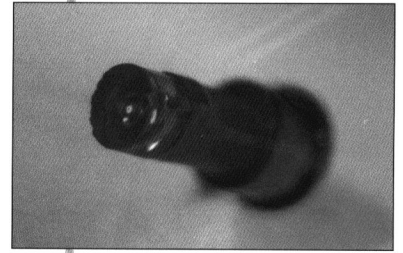


## FILAMENT REPLACEMENT LEDs - T1

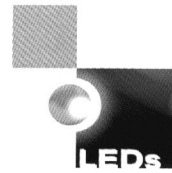


- Direct replacement for French Style T1 MF SX3s
- Reverse polarity available
- Centre contact, anode as standard



**202 SERIES**

**MLQ = 20**



### Ordering Information & Typical Technical Characteristics (Ta = 25°C)

Mean Time Between Failure = 100,000 Hours. Luminous intensity figures refer to the unmodified discrete LED.

| PART NUMBER           | COLOUR | LENS        | VOLTAGE DC<br>Vopr | CURRENT DC<br>Iopr | LUMINOUS INTENSITY<br>Iv@20mA | WAVE LENGTH<br>λp | VIEWING ANGLE | OPERATING TEMP<br>Topr | STORAGE TEMP<br>Tstg |
|-----------------------|--------|-------------|--------------------|--------------------|-------------------------------|-------------------|---------------|------------------------|----------------------|
| <b>HIGH INTENSITY</b> |        |             |                    |                    |                               |                   |               |                        |                      |
| 202-301-04-38         | Red    | Water Clear | 1.9*               | 20                 | 850                           | 660               | Wide          | -40~+80                | -40~+80              |
| 202-325-04-38         | Yellow |             | 2.1*               | 20                 | 4400                          | 590               |               |                        |                      |
| 202-324-04-38         | Green  |             | 3.4*               | 20                 | 3400                          | 525               |               |                        |                      |
| 202-934-04-38         | Blue   |             | 3.4*               | 20                 | 1000                          | 470               |               |                        |                      |
| 202-998-04-38         | White  |             | 3.4*               | 20                 | 2000                          | •                 |               |                        |                      |
| 202-301-20-38         | Red    |             | 5/6                | 18                 | 850                           | 660               |               |                        |                      |
| 202-325-20-38         | Yellow |             | 5/6                | 19                 | 4400                          | 590               |               |                        |                      |
| 202-324-20-38         | Green  |             | 5/6                | 14                 | 3400                          | 525               |               |                        |                      |
| 202-934-20-38         | Blue   |             | 5/6                | 14                 | 1000                          | 470               |               |                        |                      |
| 202-998-20-38         | White  |             | 5/6                | 14                 | 2000                          | •                 |               |                        |                      |
| 202-301-21-38         | Red    |             | 12                 | 20                 | 850                           | 660               |               |                        |                      |
| 202-325-21-38         | Yellow |             | 12                 | 20                 | 4400                          | 590               |               |                        |                      |
| 202-324-21-38         | Green  |             | 12                 | 19                 | 3400                          | 525               |               |                        |                      |
| 202-934-21-38         | Blue   |             | 12                 | 19                 | 1000                          | 470               |               |                        |                      |
| 202-998-21-38         | White  |             | 12                 | 19                 | 2000                          | •                 |               |                        |                      |
| <b>UNITS</b>          |        |             |                    | <b>Vdc</b>         | <b>mA</b>                     | <b>mcd</b>        |               |                        |                      |

\* = Please note - Voltage DC for 20mA product is Vf@20mA, not Vopr

• = Please note - Typical emission colour: x=0.31, y=0.32. Colour temperature 8000K. Intensities (Iv) and colour shades of white (x,y co-ordinates) may vary between LEDs within a batch.

Please note - This product is also available at 24, 28 and 48Vdc. Please contact our Sales department for further details.



**CUSTOM DESIGN SERVICE**