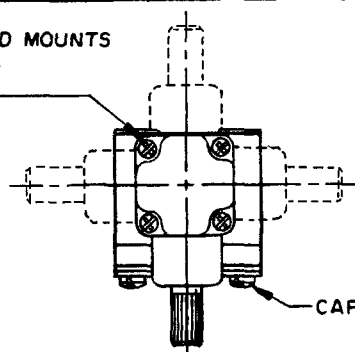
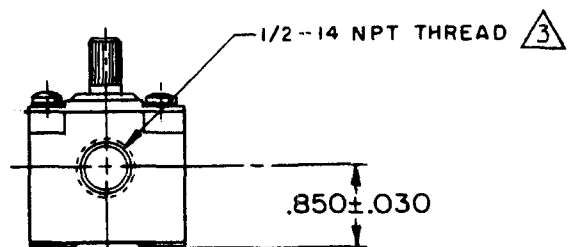
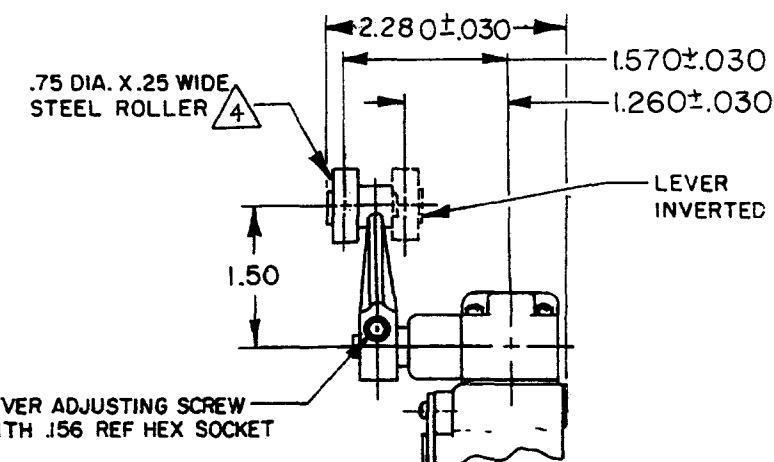
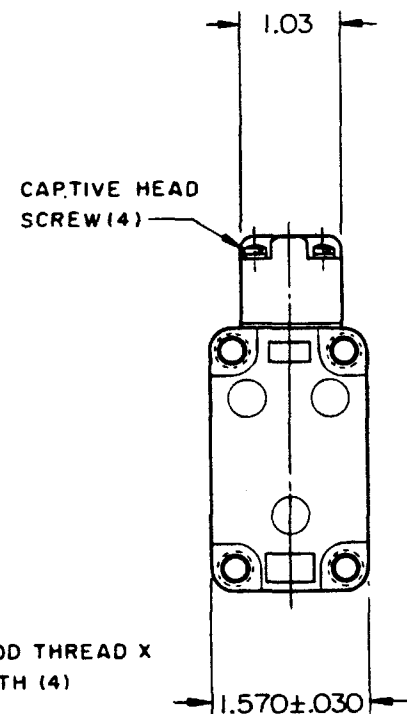
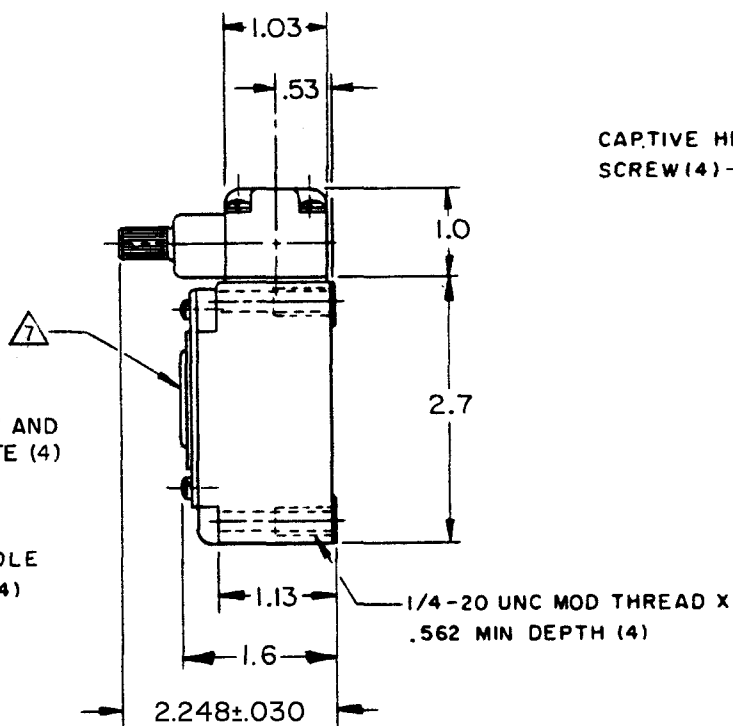
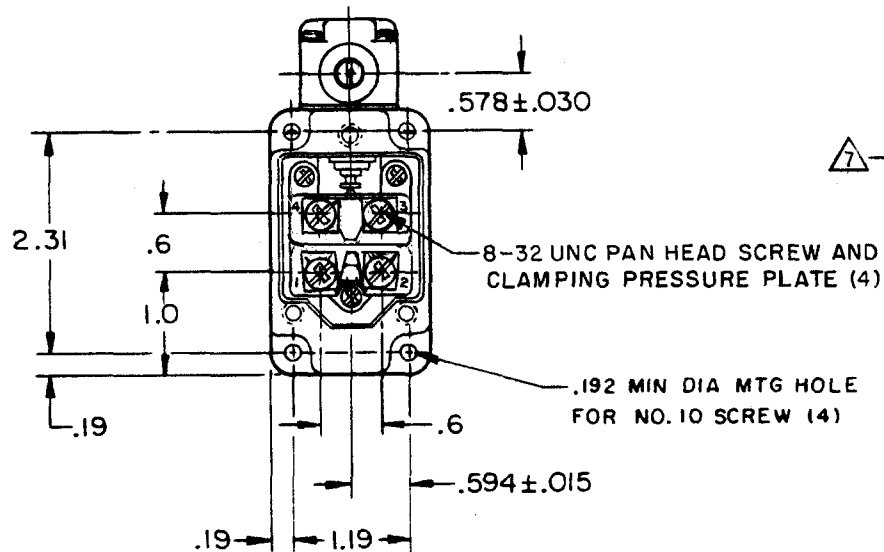
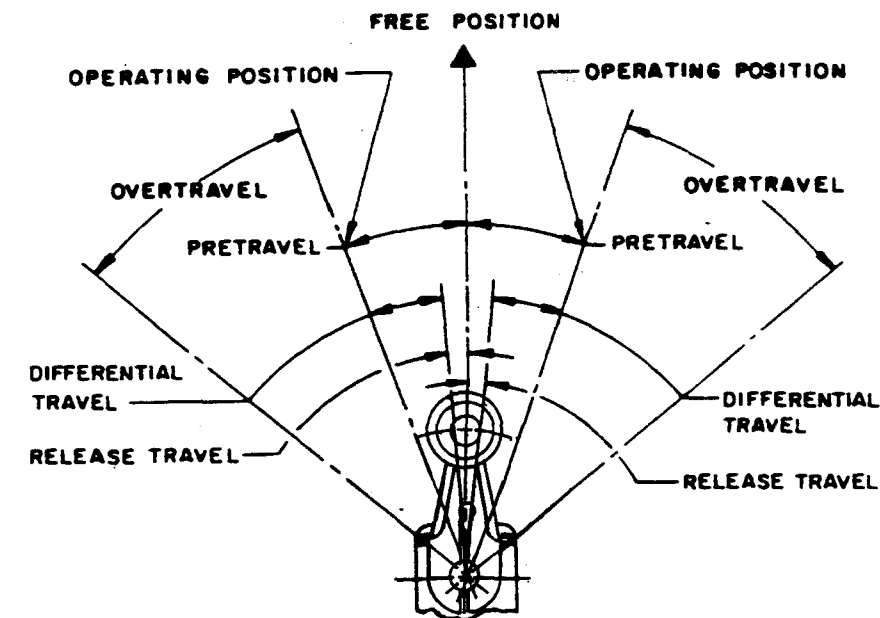
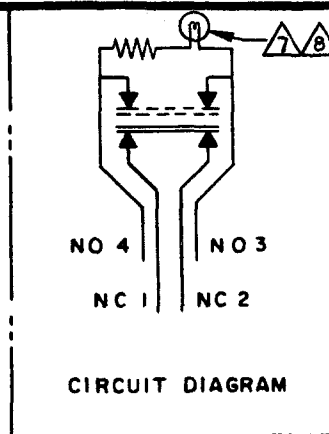


CATALOG LISTING  
**1 LS501**  
 PAGE 1 OF 1  
**M**  
 DRAWING NUMBER  
 ISSUE 15  
 REVISIONS  
 A CO-95463-B DLT 7 SEP 99  
 B ECO-200178 CSL 5 APR 00  
 CHECK  
 MAR 64  
 DAW 25  
 FEB 64  
 R E R  
 FORMTEK  
 FO-30378-003  
 DRAWN

OPERATING HEAD MOUNTS  
 IN ANY OF FOUR  
 POSITIONS



CAPTIVE COVER SCREW (3)



THIS DRAWING COVERS A PROPRIETARY ITEM AND IS THE PROPERTY OF MICRO SWITCH, A DIVISION OF MINNEAPOLIS-HONEYWELL REGULATOR CO. THIS DRAWING IS NOT TO BE COPIED OR USED WITHOUT THE APPROVAL OF MICRO SWITCH.

CHARACTERISTICS	ELECTRICAL DATA	SCALE 1/2 TO 1
OPERATING TORQUE - - - 4.5 IN-LB MAX	CONTACT ARRANGEMENT (SEE CIRCUIT DIAGRAM)	DO NOT SCALE PRINT
FULL OVERTRAVEL TORQUE - - 6 IN-LB MAX	10A - 120 VAC; 1/3 HP - 120 VAC	UNLESS OTHERWISE NOTED
RELEASE TORQUE - - - .75 IN-LB MIN		DIMENSIONS ARE IN INCHES
PRETRAVEL - - - - - 20° MAX		<b>TOLERANCES ARE:</b>
DIFFERENTIAL TRAVEL - - - 12° MAX		ONE PLACE (.0) ±.030
OVERTRAVEL - - - - - 30° MIN		TWO PLACE (.00) ±.015
RELEASE TRAVEL - - - - - 5° MIN		THREE PLACE (.000) ±.005
SWITCH-BASIC REPLACEMENT - - - 2MN1	WEIGHT	±

**NOTES**

- 1- SWITCH IS ASSEMBLED FOR ACTUATION IN BOTH DIRECTIONS BUT MAY BE ADJUSTED TO ACTUATE IN EITHER THE CLOCKWISE DIRECTION ONLY OR THE COUNTERCLOCKWISE DIRECTION ONLY
- 2- TO CONVERT SWITCH FOR ACTUATION IN EITHER THE CLOCKWISE OR COUNTERCLOCKWISE DIRECTION ONLY, REMOVE ACTUATOR HEAD AND ROTATE THE NOTCHED PLUNGER 90° TO THE RIGHT FOR CLOCKWISE ACTUATION OR 90° TO THE LEFT FOR COUNTERCLOCKWISE ACTUATION
- 3 SEAL TO BE FURNISHED BY USER
- 4 ROLLER LEVER MAY BE LOCKED IN ANY POSITION THRU 360°
- 5- LEVER FURNISHED UNASSEMBLED IN UNIT PACKING BOX
- 6- UNIT CONTAINS ENCLOSED PILOT LIGHT FOR 120 VAC OPERATION
- 7 SWITCH IS ASSEMBLED WITH PILOT LAMP ACROSS N O CONTACTS. PLASTIC INSERT MAY BE REVERSED END FOR END TO PLACE PILOT LAMP ACROSS N C CONTACTS
- 8 LAMP ON WHEN CIRCUIT IS OPEN