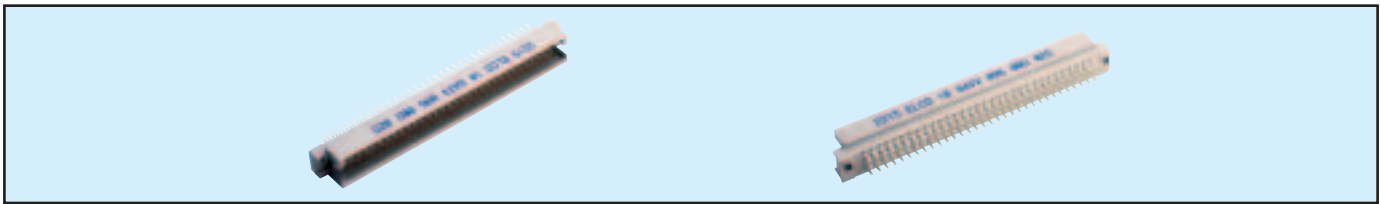


Male Style R

Series 8477 – 3 rows (3 x 32) Inverted

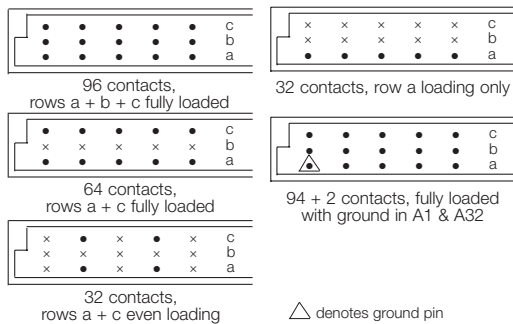


| Contact Design and Termination Length | Number of Contacts | Loading Description | Part Number Performance classes according to DIN 41612 | |
|---------------------------------------|--------------------------------------|------------------------|--|---------------------|
| | | | II | I |
| 2.9 mm (Y) Straight | 96 | a + b + c fully loaded | 10 8477 096 001 025 | 10 8477 096 001 049 |
| | 64 | a + c fully loaded | 10 8477 096 001 026 | 10 8477 096 001 050 |
| | 32 | a + c even loading | 10 8477 096 001 033 | 10 8477 096 001 057 |
| | 32 | a loading only | 10 8477 096 001 027 | 10 8477 096 001 051 |
| | 94 + 2 | fully loaded + ground | 10 8477 096 101 025 | 10 8477 096 101 049 |
| 4.5 mm (Y) Straight | 96 | a + b + c fully loaded | 10 8477 096 002 025 | 10 8477 096 002 049 |
| | 64 | a + c fully loaded | 10 8477 096 002 026 | 10 8477 096 002 050 |
| | 32 | a + c even loading | 10 8477 096 002 033 | 10 8477 096 002 057 |
| | 32 | a loading only | 10 8477 096 002 027 | 10 8477 096 002 051 |
| | 94 + 2 | fully loaded + ground | 10 8477 096 102 025 | 10 8477 096 102 049 |
| 9.5 mm (Y) Straight | 96 | a + b + c fully loaded | 10 8477 096 005 025 | 10 8477 096 005 049 |
| | 64 | a + c fully loaded | 10 8477 096 005 026 | 10 8477 096 005 050 |
| | 32 | a + c even loading | 10 8477 096 005 033 | 10 8477 096 005 057 |
| | 32 | a loading only | 10 8477 096 005 027 | 10 8477 096 005 051 |
| | 96 | a + b + c fully loaded | 10 8477 096 006 025 | 10 8477 096 006 049 |
| 13.0 mm (Y) Straight | 64 | a + c fully loaded | 10 8477 096 006 026 | 10 8477 096 006 050 |
| | 32 | a + c even loading | 10 8477 096 006 033 | 10 8477 096 006 057 |
| | 32 | a loading only | 10 8477 096 006 027 | 10 8477 096 006 051 |
| | 94 + 2 | fully loaded + ground | 10 8477 096 106 025 | 10 8477 096 106 049 |
| | 14.9 mm (Y) Straight | 96 | a + b + c fully loaded | 10 8477 096 007 025 |
| 64 | | a + c fully loaded | 10 8477 096 007 026 | 10 8477 096 007 050 |
| 32 | | a + c even loading | 10 8477 096 007 033 | 10 8477 096 007 057 |
| 32 | | a loading only | 10 8477 096 007 027 | 10 8477 096 007 051 |
| 8.8, 11.5, 8.8 mm (Y) Solder Hole | | 96 | a + b + c fully loaded | 10 8477 096 009 025 |
| | 64 | a + c fully loaded | 10 8477 096 009 026 | 10 8477 096 009 050 |
| | 32 | a + c even loading | 10 8477 096 009 033 | 10 8477 096 009 057 |
| | 32 | a loading only | 10 8477 096 009 027 | 10 8477 096 009 051 |
| | 7.5, 10.2, 7.5 mm (Y) Solder Loop | 96 | a + b + c fully loaded | 10 8477 096 010 025 |
| 64 | | a + c fully loaded | 10 8477 096 010 026 | 10 8477 096 010 050 |
| 32 | | a + c even loading | 10 8477 096 010 033 | 10 8477 096 010 057 |
| 32 | | a loading only | 10 8477 096 010 027 | 10 8477 096 010 051 |

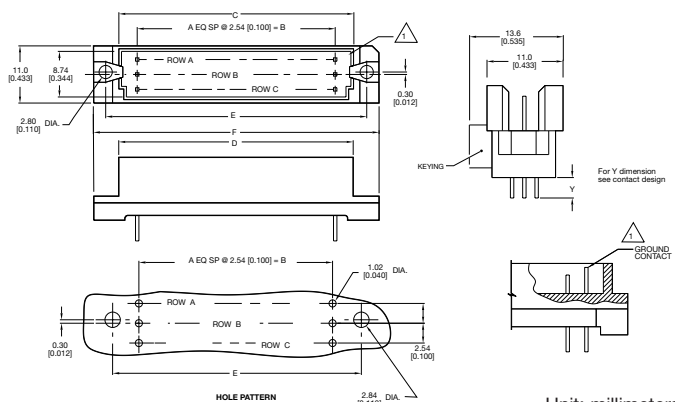
NB: Alternative Prefix Variations Available: 12, 14, 15, 16 & 17, please refer to Page 10.

Additional Plating & Loading Variations: Please contact your local AVX sales office or distributor.

LOADING DESCRIPTION



DIMENSIONS



| No. Contact Positions | Contact Rows | A | B | C | D | E | F |
|-----------------------|--------------|----|------------------|------------------|------------------|------------------|------------------|
| 96 | 3 (3 x 32) | 31 | 78.74 (3.100) | 85.29 (3.358) | 87.91 (3.461) | 89.99 (3.543) | 94.89 (3.736) |