



Series 501 Standard DIP Sockets with Wire Wrap Bifurcated Contacts

FEATURES:

- Standard DIP Sockets are available with solder tail or wire wrap pins, all with bifurcated contacts. Consult Data Sheet No. 12004 for solder tail pins.
- Aries offers these standard DIP sockets in more sizes than any other manufacturer.

SPECIFICATIONS:

- Standard body material is UL 94-HB Glass-filled Nylon.
- High temperature body material is black UL 94V-0 4/6 Nylon.
- Bifurcated contacts are Grade A spring-tempered Phosphor Bronze per QQ-B-750.
- Contact plating is either 100 μ [2.54 μ m] min. Tin per MIL-T-10727 or 10 μ [.25 μ m] min. Gold per MIL-G-45204 over 50 μ [1.27 μ m] min. Nickel per QQ-N-290.
- Contact current rating=1.5 Amps.
- Insertion Force=110 grams/pin average; Withdrawal Force=75 grams/pin average.
- Operating temperature=221°F [105°C] Tin plating, =257°F [125°C] Gold plating.
- Accepts flat leads up to .014 thk. x .020 wide [.36-.51], round leads up to .020 [.51] in diameter.
- Socket accepts lead lengths from seating plane from .075-.160 [1.91-4.06].

MOUNTING CONSIDERATIONS:

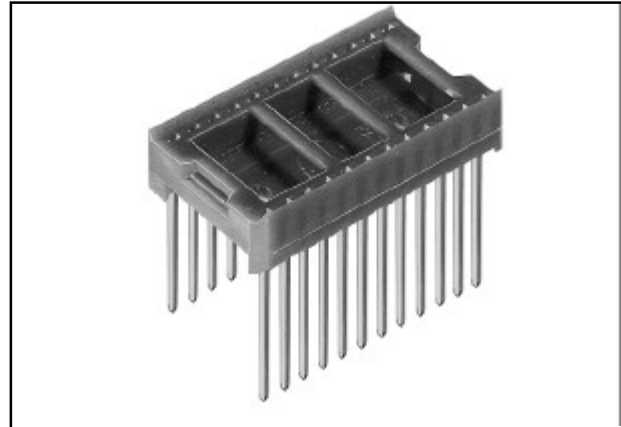
- Suggested PCB hole size=.045 \pm .002 [1.12 \pm .05]. dia.

ALL DIMENSIONS: INCHES [MILLIMETERS]

All tolerances \pm .005 [.13] unless otherwise specified

"A"=(NO. OF PINS PER ROW X .100 [2.54]) + .050 [1.27]

"B"=(NO. OF PINS PER ROW - 1) X .100 [2.54]



Note: Aries specializes in custom design and production. In addition to the standard products shown on this page, special materials, platings, sizes, and configurations can be furnished, depending on quantities. Aries reserves the right to change product specifications without notice.

ORDERING INFORMATION

XX-X501-XXXX

Optional Suffix:

No. of pins (see table)

Row-to-row spacing:

2: "C"=.200 [5.08]

3: "C"=.300 [7.62]

4: "C"=.400 [10.16]

6: "C"=.600 [15.24]

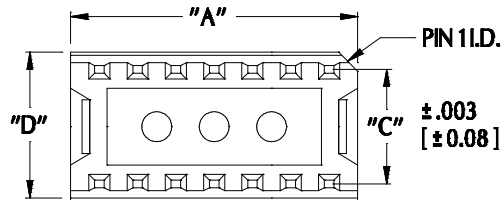
Series

WR=Without rails
V0=UL 94V-0 plastic

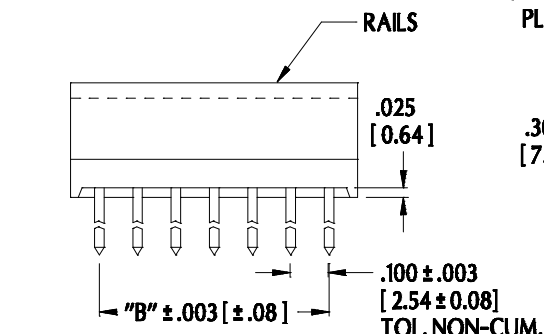
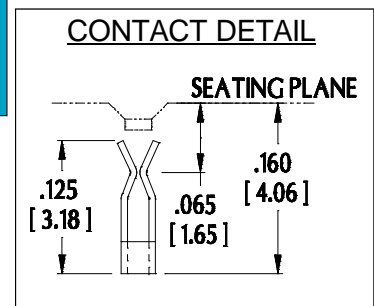
Plating:

0=Tin
1=Gold

2=2 level wire wrap
3=3 level wire wrap



Consult Data Sheet No. 12004 for standard DIP sockets with solder tail bifurcated contacts.



.025 \pm .002 SQUARE [.64 \pm .05]

Wire wrap	Length "E"
2 level	.410 [10.41]
3 level	.690 [17.52]

Centers "C"	Width "D"	Available Sizes
.200 [5.08]	.290 [7.36]	8, 10
.300 [7.62]	.390 [9.90]	8, 14-20
.400 [10.16]	.490 [12.45]	22
.600 [15.24]	.690 [17.54]	8-24, 28-40, 48

ARIES
ELECTRONICS, INC.
<http://www.arieselec.com> • info@arieselec.com

NORTH AMERICA
Frenchtown, NJ USA
TEL: (908) 996-6841
FAX: (908) 996-3891



EUROPE
TEL: +44 870 240 0249
FAX: +44 871 919 6033
europa@arieselec.com

12005
REV.C