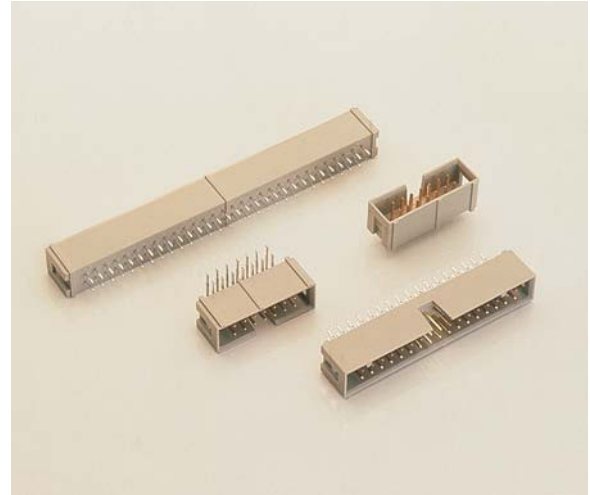


# High Temperature Box Header



## Series 8383

**Series 8383** box headers are designed to be suitable for applications using either infra red or vapor phase equipment. These connectors are designed to mate with Series 8290 IDC sockets as well as other industry compatible connectors.



### TECHNICAL SPECIFICATION

**Termination Type:**

Plated Through Hole

**Termination Pitch:**

0.100" (2.54mm)

**Material:**

Housing - UL94VO rated high thermal resistant nylon

Contact - Brass

**Contact Plating:**

Gold over nickel

**Contact Resistance:**

Initially 10 milliohms maximum

**Current Rating:**

1 ampere at 70°C maximum ambient

**Insulation Resistance:**

>1000 megohms

**Voltage Rating:**

350V DC or AC peak

**Heat Deflection Temperature:**

285°C

### ORDERING CODE

**00**

**Connector Code Prefix**

00 = Standard Connector Assembly

**8383**

**Series Number**

**050**

**Number of Contacts**

010 = 10 position  
014 = 14 position  
016 = 16 position  
020 = 20 position  
026 = 26 position  
034 = 34 position  
040 = 40 position  
050 = 50 position  
060 = 60 position  
064 = 64 position

**000**

**Contact Variation**

000 = Solder PC Straight (1.60mm PCB) Length 2.90mm  
001 = Solder PC Right Angle (2.40mm PCB) Length 3.70mm  
002 = Solder PC Right Angle (1.6mm PCB) Length 2.90mm  
003 = Solder PC Straight (2.40mm PCB) Length 3.70mm  
009 = Press Fit contact for 2.4/3.2mm PCB or contact length 4.5mm

**0**

**Clip Variation**

0 = No Clip

**1**

**Plating Variation**

1 = 30µ" Gold over Nickel  
4 = 10µ" Gold over Nickel

**0**

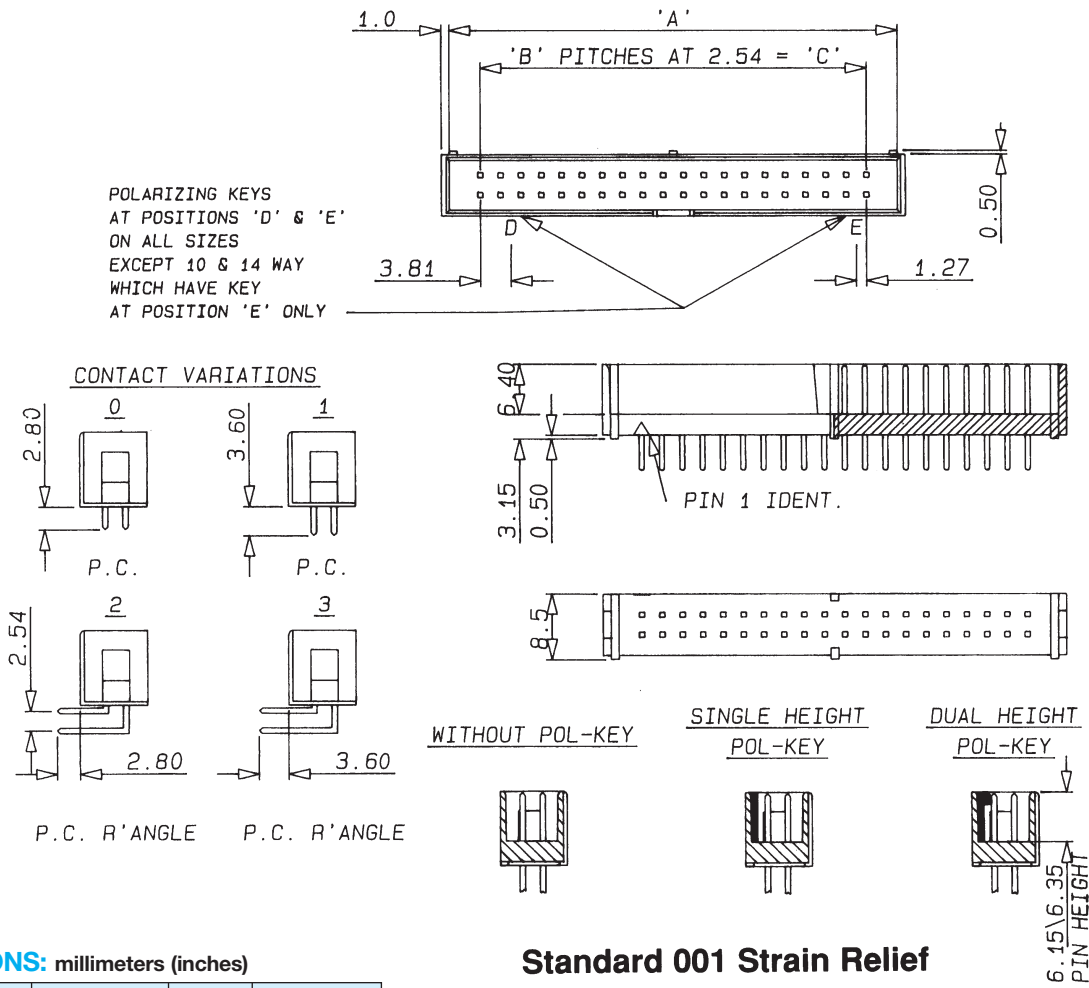
**Polarization**

0 = No Polarizing

# High Temperature Box Header



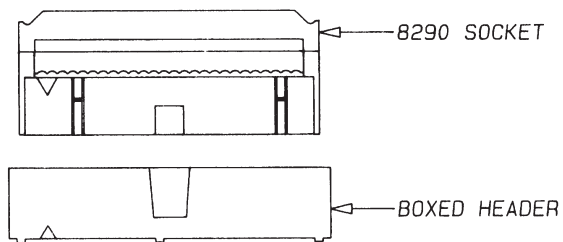
## Series 8383



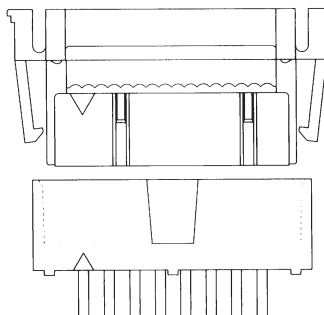
### DIMENSIONS: millimeters (inches)

No. of Contacts	A	B	C
10	17.90 (0.705)	4	10.16 (0.40)
14	22.98 (0.905)	6	15.24 (0.60)
16	25.52 (1.00)	7	17.78 (0.70)
20	30.60 (1.20)	9	22.86 (0.90)
26	38.22 (1.50)	12	30.48 (1.20)
34	48.38 (1.90)	16	40.64 (1.60)
40	56.00 (2.20)	19	48.26 (1.90)
50	68.70 (2.70)	24	60.96 (2.40)
60	81.40 (3.20)	29	73.66 (2.90)
64	86.48 (3.20)	31	78.74 (3.10)

### Standard 001 Strain Relief



### Latching 006 Strain Relief



8383