

Discrete Single Port 10/100 Base-T PDSO-G16

LANDatacom

Features

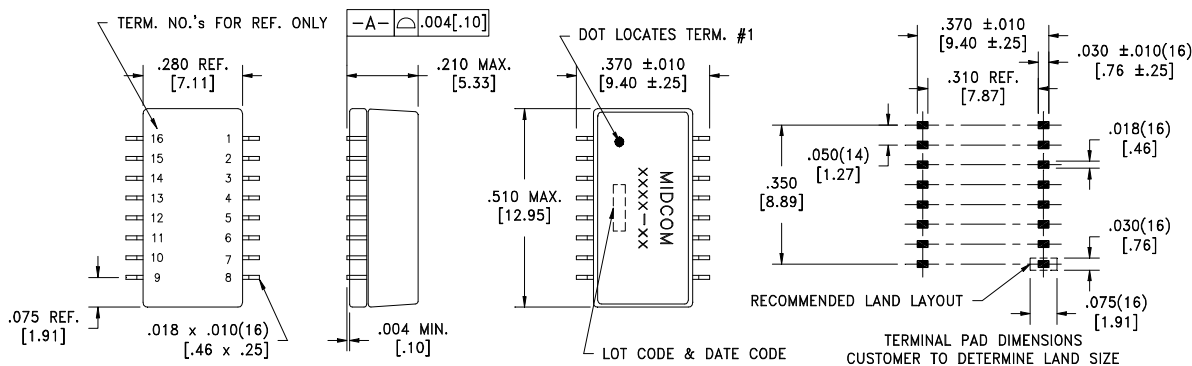
- Meets IEEE 802.3 standard
- Surface mount
- Transfer mold package
- Optional pin-outs
- Industry standard footprint
- Optimum performance
- Cost Effective
- RoHS compliant

Typical Common Electrical Characteristics¹

Inductance	350uH Min.	0.1Vrms, 100kHz, 8mADC
Dielectric Rating	1500VAC	for 1 minute
Insertion Loss	-1.1dB max.	500kHz-100MHz
Return Loss	-18dB min.	500kHz-30MHz
	-16dB min.	30MHz-45MHz
	-14dB min.	45MHz-60MHz
	-12dB min.	60MHz-80MHz
Cross Talk	-35dB min.	1MHz-100MHz
Common Mode Rejection	-30dB min.	500kHz-100MHz
Diff. To Common Mode Rejection	-30dB min.	500kHz-100MHz

Note1: See specification sheet for actual electrical characteristics

Part Number	Transmit Turns Ratio	AutoMDIX Compatible	Operating Temp. Range	Schematic
000-7090-37	1CT:1CT	Yes	-40°C to +85°C	1
000-7091-37	1CT:1.89CT	No	0°C to +70°C	1
000-7092-37	1.414CT:1CT	No	0°C to +70°C	1
7490100123	1.414CT:1CT	No	0°C to +70°C	1
000-7041-37	1CT:1CT	No	0°C to +70°C	2
000-7213-37	1CT:1CT	Yes	0°C to +70°C	3
000-7315-37	1CT:1CT	Yes	-40°C to +85°C	3
000-7313-37	1CT:1CT	Yes	0°C to +70°C	1
000-7342-37 ²	1CT:1CT	Yes	-40°C to +85°C	1
000-7317-37	1CT:1CT	Yes	0°C to +70°C	4

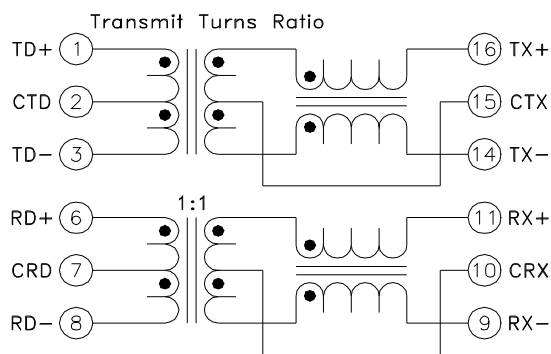


Note1: See specification sheet for individual part number specifications.
 Note2: The 000-7342-37 is missing terminals 4, 5, 12 and 13.

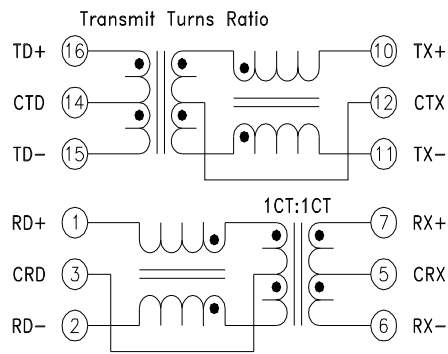


**Discrete Single Port
10/100 Base-T PDSO-G16**

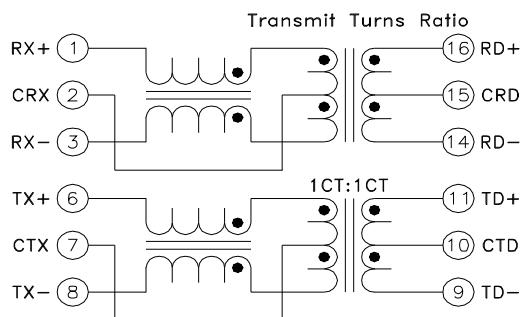
LANDatacom



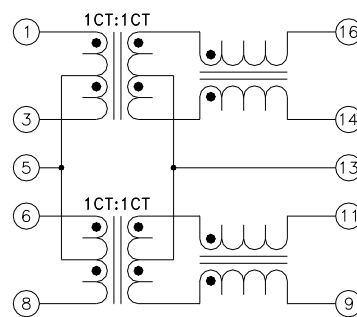
Schematic 1



Schematic 2



Schematic 3



Schematic 4