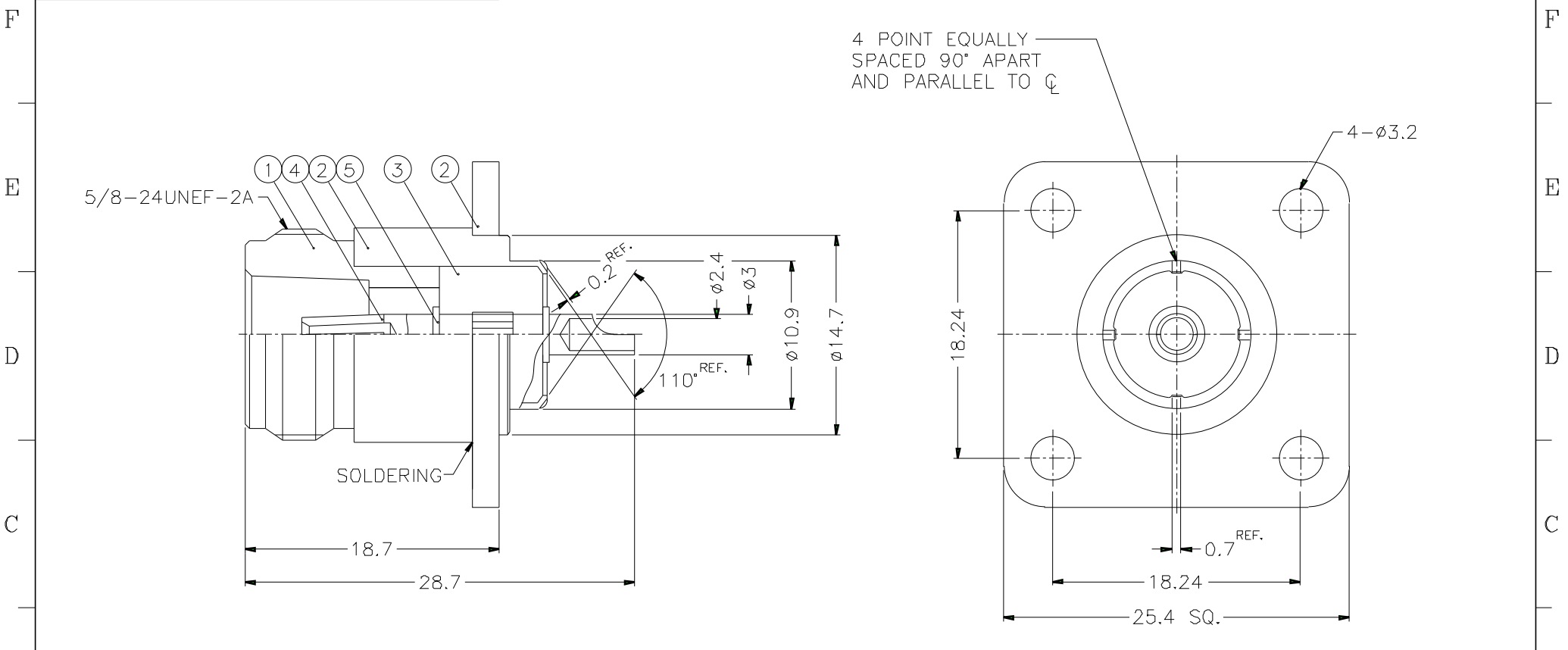


1		2		3		4		5		6		7		8	
REVISIONS															
ISS	ZONE	DESCRIPTION / PART / REQUISIT / DATE													



NOTES: FINISH (PLATING THICKNESS IN MICRO-INCHES)  
 1. BRASS PER QQ-B-626  
 2. NICKEL PL. 100 MIN. THICK OVER COPPER STRIKE  
 3. PHOSPHOR BRONZE PER QQ-B-750  
 4. GOLD PL. 3 MIN. THICK OVER NICKEL PL. 100 MIN. THICK OVER COPPER STRIKE  
 5. TEFLON MIL-P-19468

DIMENSIONS ARE IN MILLIMETERS		
UNLESS OTHERWISE SPECIFIED TOLERANCES		
0.5-6	=	±0.2
6-30	=	±0.4
30-120	=	±0.6
120-315	=	±1
315-1000	=	±1.6
1000-2000	=	±2.4

PART NO.	N6551A1-017-NT3G-50	
APPROVED	DATE	10-11-01'
CHECKED	DATE	10-11-01'
DRAWN	DATE	10-11-01'
FILE NO.		

**Amphenol**

TITLE  
N PANEL RECEPT. JACK

DRAWING NO.  
KJ-N6551A1-017-NT3G-50

ITEM NO.

5	RETAINER RING	NOTE 1	NOTE 2	2	N87061201-5
4	CONTACT PIN	NOTE 3	NOTE 4	1	N87061201-4
3	INSULATOR	NOTE 5	NATURAL	1	N6551A1-3T-50-B
2	HOUSING WITH PANEL	NOTE 1	NOTE 2	1	N6551A1-2S
1	BODY	NOTE 1	NOTE 2	1	N7900-4
NO.	DESCRIPTION	MATERIAL	FINISH	Q'TY	DRAWING NO.

1	2	3	4	5	6	7	8
---	---	---	---	---	---	---	---