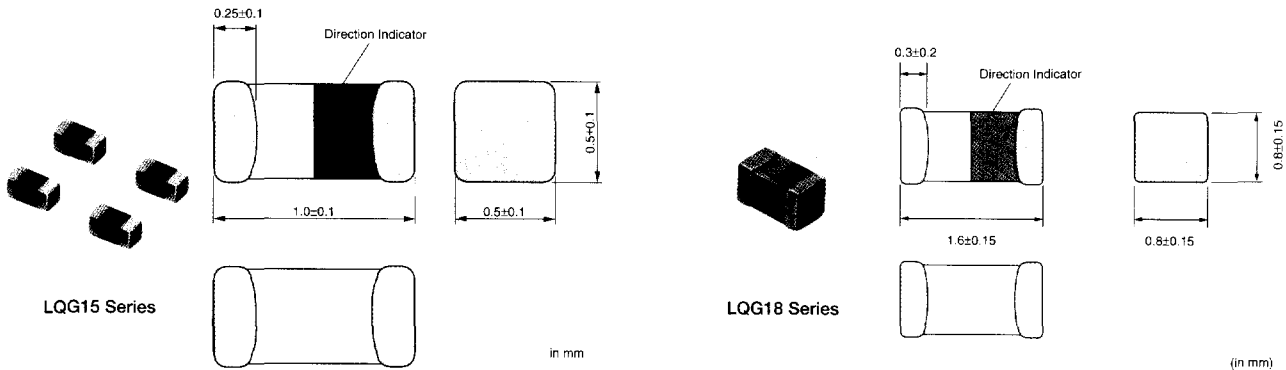


# Coils/Delay Lines

## Chip Coils

for High-frequency Monolithic Type

### ● LQG15H/LQG18H Series



Part Number	Inductance (nH)	Rated Current (mA)	Max. of DC resistance (ohm)	Q (min.)	Self Resonance Frequency (MHz)
LQG15HN□□□J00	6.8 to 68 ±5%	200	0.29 max	8 at 100MHz	4200 min.
LQG15HN□□□S00	1.2 to 5.6 ±0.3nH	200	0.10 max	8 at 100MHz	6000 min.
LQG18HN□□□J00	6.8 to 100 ±5%	300	0.25 max	12 at 100MHz	5000 min.
LQG18HN□□□S00	1.2 to 5.6 ±0.3nH	300	0.1 max	12 at 100MHz	6000 min.

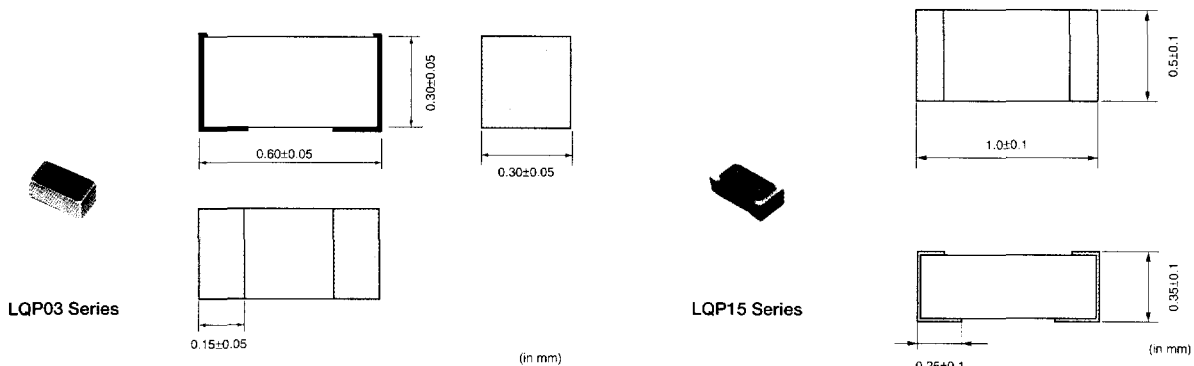
Min. of Operating Temp. : -40°C to 85°C

Three blank columns are filled with inductance code.

## Chip Coils

for High-Frequency Film Type

### ● LQP03T/LQP15M Series



Part Number	Inductance (nH)	Rated Current (mA)	Max. of DC resistance (ohm)	Q (min.)	Self Resonance Frequency (MHz)
LQP03TN□□□C00	0.6 to 3.3 ±0.2nH	420	0.08	11 at 500MHz	6000 min.
LQP03TN□□□J00	4.7 to 15 ±5%	160	0.55	11 at 500MHz	6000 min.
LQP15MN□□□B00	1.0 to 9.1 ±0.1nH	400	0.1	13 at 500MHz	6000 min.
LQP15MN□□□C00	1.0 to 9.1 ±0.2nH	400	0.1	13 at 500MHz	6000 min.
LQP15MN□□□G00	10 to 33 ±2%	100	1.3	13 at 500MHz	4500 min.

Min. of Operating Temp. : -40°C to +85°C

Three blank columns are filled with inductance code.