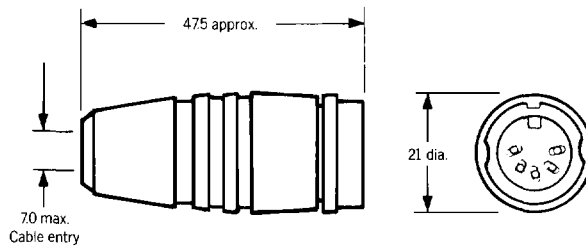


## FREE SOCKET

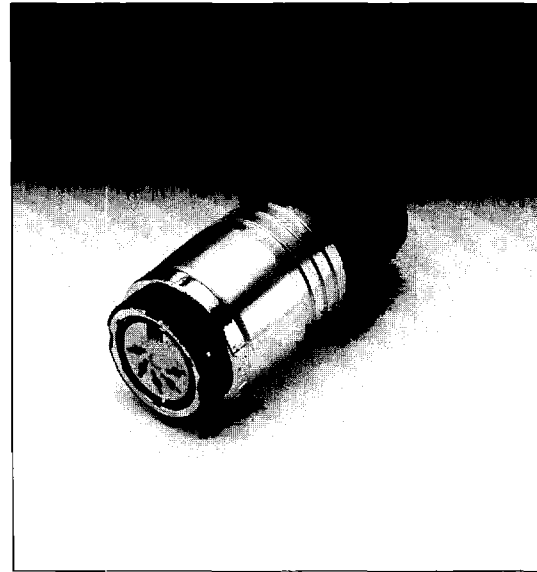
## SOCKETS



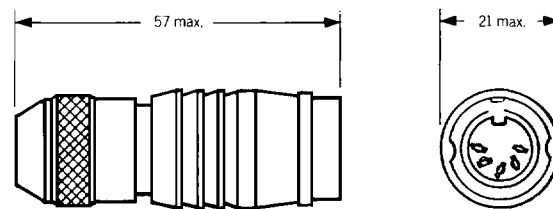
Contact termination      Solder lugs  
max conductor dia.  
0.9 or 16/0.2mm

Part No L1904A/□/FS

No of contacts



## SCREENED FREE SOCKET

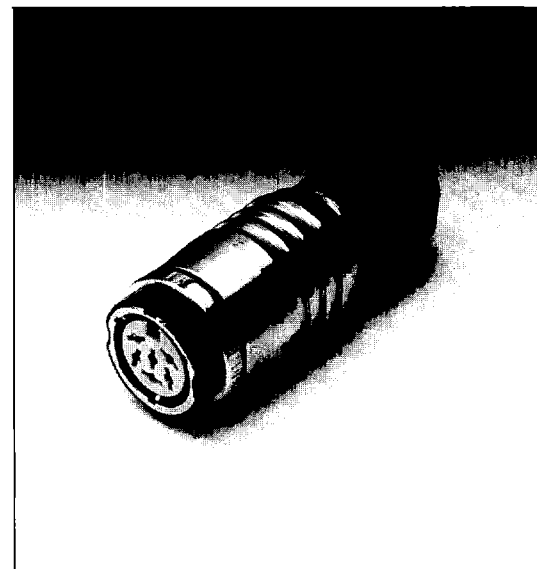


Materials      Body      Zinc alloy, nickel plated  
Brass, nickel plated

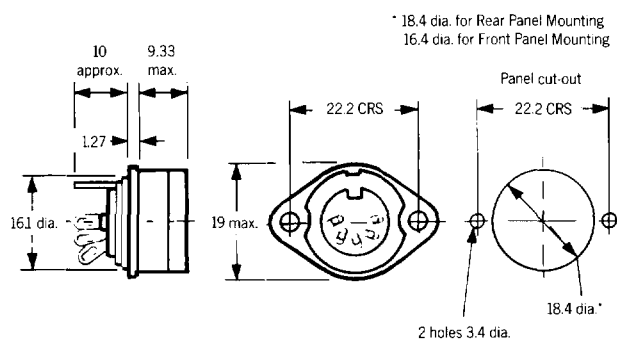
Contact termination      Solder lugs  
max conductor dia.  
0.9 or 16/0.2mm

Part No L1904C/□/FS

No of contacts



## SURFACE MOUNTING SOCKET



Contact termination      Solder lugs  
max conductor dia.  
0.9 or 16/0.2mm

Part No L1904C/□/CS

No of contacts

