

SPECIFICATIONS

Mechanical

Mating Force: 4Pounds Max.
Unmating Force: 4Pounds Max.
Durability: 1000 Cycles

Electrical

Current Rating: 1.5A Max.
Voltage Rating: 150 VAC
Dielectric Withstanding Voltage: 1000V Contact To Contact
 1500V Contact To Shield

Physical

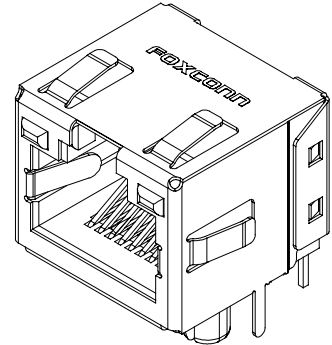
Housing: Thermoplastic, UL 94V-0 Rated In Black Color
Contact: Copper Alloy
Shell: Copper Alloy
Operating Temperature: 0 to +70

JM Series

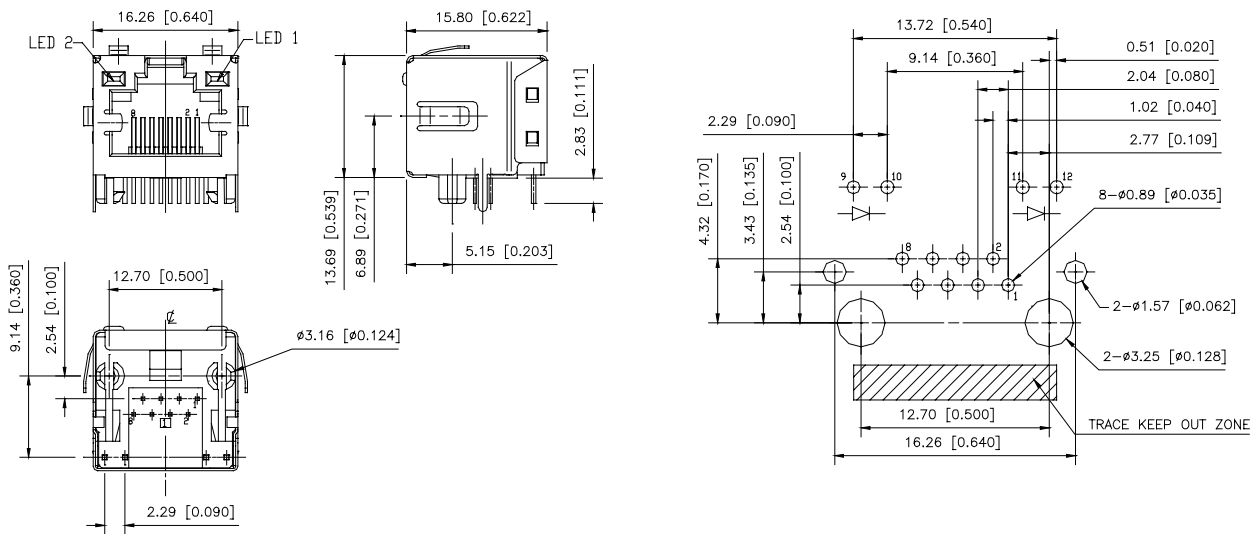
RJ45 1*1

R/A, T/H Type

1.02mm [.040"] Pitch

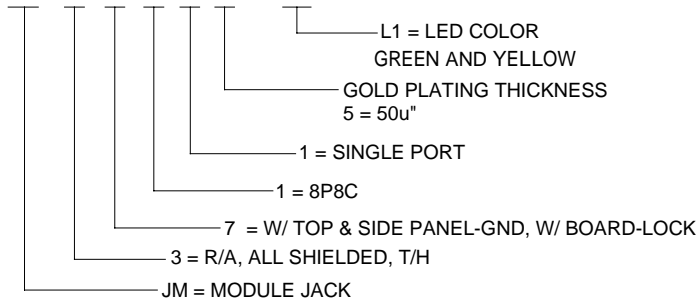


DRAWING



ORDERING INFORMATION

PRODUCT NO.: JM 3 7 1 1 5 - L3



P/N	LED 2	LED 2
	9 ϕ ϕ 10	11 ϕ ϕ 12
JM37115-L3	GREEN 	YELLOW