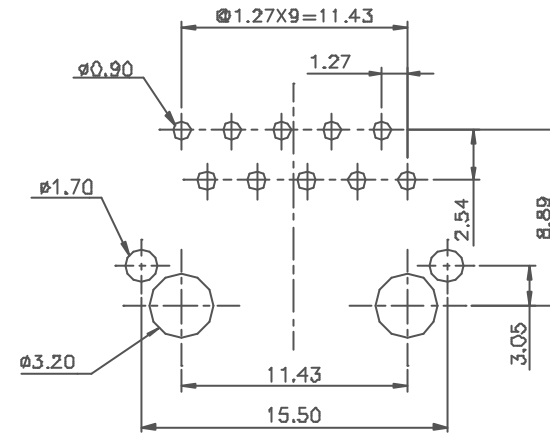
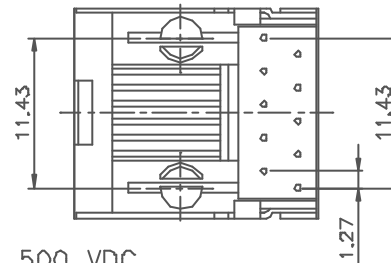
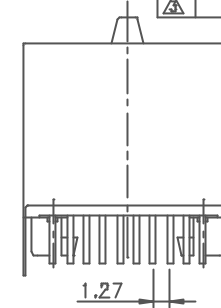
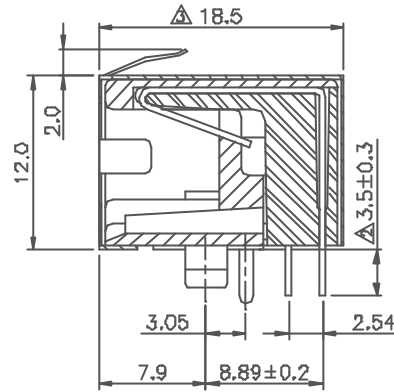
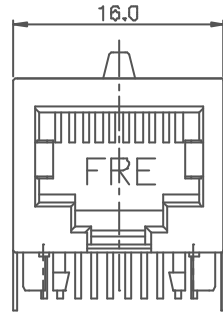


REVISION RECORD				
REV	ECO	DESCRIPTION	DRFT	CHKD
△		尺寸修正	4/28/98	WHL
△		3.5±0.3 was 3.5±0.5	7/1/98	WHL
△		ADD FRE LOGO	7/1/98	WHL
△		18.5 was 18.7	JACKED	7/8/98



PC Board Layout Component Side Shown

NOTES:

ELECTRICAL:

- VOLTAGE RATING : 125 VAC RMS.
- CURRENT RATING : 1.5 AMP.
- CONTACT RESISTANCE : 30 MIOHMS MAX.
- INSULATION RESISTANCE: 1000 MEGOHMS MIN @ 500 VDC.
- DIELECTRIC STRENGTH : 1000 VAC RMS 60HZ, 1MIN.

MECHANICAL:

- HOUSING MATERIAL : GLASS FILLED POLYESTER UL94V-0.
- CONTACT MATERIAL : PHOSPHOR BRONZE $\phi 0.46$ mm.
- PLATING : GOLD PLATING OVER NICKEL.
- OPERATING LIFE : 750 CYCLES MIN.
- PCB RETENTION PRE-SOLDER : 1 LB MIN.
- PCB RETENTION POST-SOLDER: 10 LBS MIN.

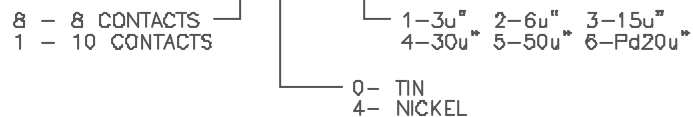
ENVIRONMENTAL:

- STORAGE : -40°C TO +85°C.
- OPERATION: 0°C TO 70°C.

MATES WITH MODULAR PLUG CONFORMING TO FCC PART 68, SUBPART F.

CUL FILE NO. E163191

PART NUMBER: E560X-X7006X



DIM (INCH) TOLERANCES EXCEPT AS NOTED		DFTG EMSS CHKD MFO	DATE 2/17/98 DATE DATE	FULL RISE ELECTRONIC CO., LTD	
MM .01 ±0.2 .00 ±0.15 .00 ±0.075		APPVL DATE	MATERIAL : QTY :		
ANGLES ± 0.5 THIRD ANGLE PROJECTION		FINISH :	SCALE : 2.5 : 1	DRAWING NO. 5-0127-1 /PART NO. SEE NOTE	SIZE A3 REV 3
DD NOT SCALE DRAWING				SHEET 1 OF 1	