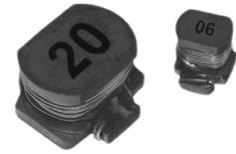


Electrical / Environmental

HM61

Injection Moulded Surface Mount Inductors

- Operating Temperature Range -40°C to +155°C
- Operating Frequency Up to 3MHz



Specifications

Part Number	Inductance, L ₀ @100kHz, 0.1V µH ± 20%	Rated Current ⁽¹⁾ Amps	Self-Resonating Frequency (SRF) MHz Typ.	DCR Ω Typ.	Ht Height mm Max.	Marking Code		Fig.
						Std	LF	
HM61-101R0LF	1.0	4.0	120	0.015	4.95	01	43	1
HM61-101R5LF	1.5	3.3	60	0.021	4.95	02	44	1
HM61-102R2LF	2.2	2.5	56	0.028	4.95	03	45	1
HM61-102R7LF	2.7	1.0	47	0.033	4.95	41	46	1
HM61-103R3LF	3.3	2.2	38	0.040	4.95	04	47	1
HM61-104R7LF	4.7	1.4	34	0.040	4.95	42	48	1

Specifications

Part Number	Inductance, L ₀ @1kHz, 0.1V µH ± 10%	Rated Current ⁽¹⁾ Amps	Self-Resonating Frequency (SRF) MHz Typ.	DCR Ω Typ.	Ht Height mm Max.	Marking Code		Fig.
						Std	LF	
HM61-10100LF	10	1.3	30	0.12	4.7	05	49	1
HM61-10220LF	22	0.8	20	0.26	4.7	06	50	1
HM61-10470LF	47	0.6	12	0.50	4.7	07	51	1
HM61-10101LF	100	0.4	7.0	1.00	4.7	08	52	1
HM61-10221LF	220	0.27	3.5	2.20	4.7	09	53	1
HM61-10471LF	470	0.18	2.2	5.00	4.7	10	54	1
HM61-20100LF	10	2.7	25	0.065	5.7	11	55	2
HM61-20120LF	12	2.5	22	0.07	5.7	12	56	2
HM61-20150LF	15	2.2	20	0.09	5.7	13	57	2
HM61-20180LF	18	2.0	16	0.10	5.7	14	58	2
HM61-20220LF	22	1.8	15	0.11	5.7	15	59	2
HM61-20270LF	27	1.6	14	0.13	5.7	16	60	2
HM61-20330LF	33	1.5	13	0.15	5.7	17	61	2
HM61-20390LF	39	1.3	12	0.18	5.7	18	62	2
HM61-20470LF	47	1.2	11	0.20	5.7	19	63	2
HM61-20560LF	56	1.1	9.0	0.25	5.7	20	64	2
HM61-20680LF	68	1.0	8.0	0.28	5.7	21	65	2
HM61-20820LF	82	0.9	7.5	0.35	5.7	22	66	2
HM61-20101LF	100	0.84	7.0	0.45	5.7	23	67	2
HM61-20121LF	120	0.77	6.5	0.50	5.7	24	68	2
HM61-20151LF	150	0.69	6.2	0.65	5.7	25	69	2
HM61-20181LF	180	0.62	6.0	0.75	5.7	26	70	2
HM61-20221LF	220	0.57	5.2	0.95	5.7	27	71	2
HM61-20271LF	270	0.51	4.5	1.10	5.7	28	72	2
HM61-20331LF	330	0.46	4.0	1.35	5.7	29	73	2
HM61-20391LF	390	0.43	3.5	1.60	5.7	30	74	2
HM61-20471LF	470	0.39	2.8	2.00	5.7	31	75	2
HM61-20561LF	560	0.36	2.7	2.40	5.7	32	76	2
HM61-20681LF	680	0.32	2.6	2.70	5.7	33	77	2
HM61-20821LF	820	0.30	1.7	3.60	5.7	34	78	2
HM61-20102LF	1000	0.27	1.6	4.30	5.7	35	79	2
HM61-20122LF	1200	0.25	1.5	5.60	5.7	36	80	2

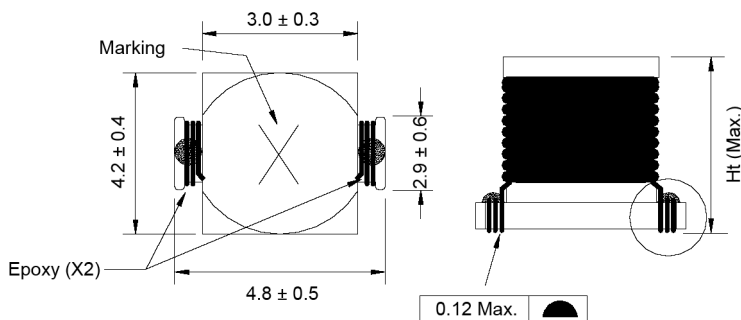
Specifications (Cont'd)

Part Number	Inductance, L_0 @1kHz, 0.1V $\mu\text{H} \pm 10\%$	Rated Current ⁽¹⁾ Amps	Self-Resonating Frequency (SRF) MHz Typ.	DCR Ω Typ.	Ht Height mm Max.	Marking Code		Fig.
						Std	LF	
HM61-20152LF	1500	0.22	1.45	6.50	5.7	37	81	2
HM61-20182LF	1800	0.20	1.4	7.00	5.7	38	82	2
HM61-20222LF	2200	0.18	1.3	9.20	5.7	39	83	2
HM61-20272LF	2700	0.16	1.2	10.50	5.7	40	84	2

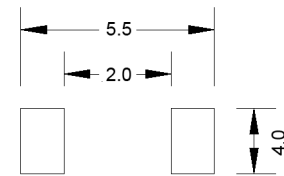
Notes: (1) Rated current is the maximum DC current at which the inductance will be increased by 10% from its initial (zero DC) value or the current at which $\Delta T = 40^\circ\text{C}$, whichever is lower.
 (2) Electrical specifications at 25°C .

Outline Dimension (mm)

Figure 1

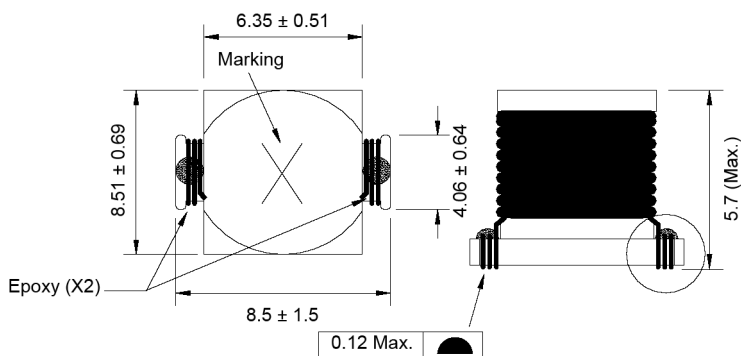


Recommended Solder Pad Layout

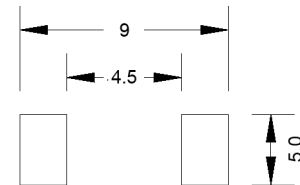


Refer to Specification table for 'Ht' dimension of each model

Figure 2



Recommended Solder Pad Layout



Packaging

Standard: Embossed Tape & Reel

Reel:	Diameter:	Figure 1	=	7" (177.8mm)
		Figure 2	=	13" (330.2mm)
Capacity:		Figure 1	=	300 Units
		Figure 2	=	750 Units

Ordering Information

