

9 5 1 - 2 X 0 C - X X X

XCede BACKPLANE MODULE MALE STANDARD LOAD

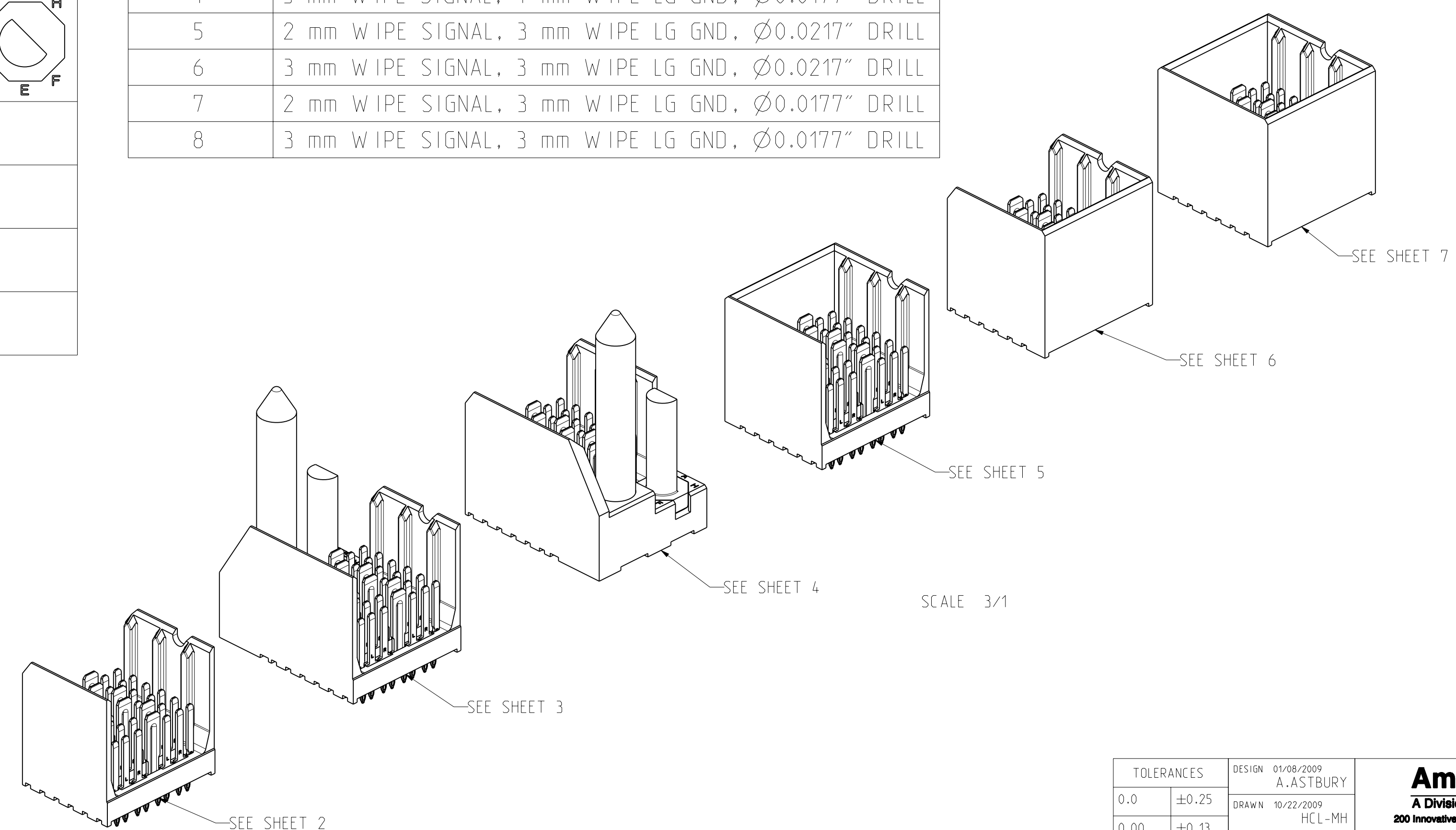
2 PAIR
6-POSITION

LETTER	PLATING
B	30 MICROINCH GOLD
C	50 MICROINCH GOLD
D	30 MICROINCH GOLD, LEADFREE
E	50 MICROINCH GOLD, LEADFREE

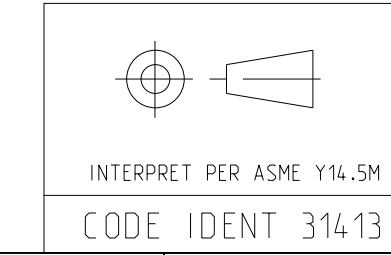
NUMBER	PIN STYLE, HEIGHT
0	GUIDE PIN MACHINED, 25.7mm / NONE
1	GUIDE PIN ROLLED, 25.7mm

	LETTER									
LEFT POLARIZING GUIDANCE (SEE SHEET 3)	N	J (NO KEY)	A	B	C	D	E	F	G	H
	NO KEY NO GUIDE PIN									
RIGHT POLARIZING GUIDANCE (SEE SHEET 4)	Z	Y (NO KEY)	P	Q	R	S	T	U	V	W
	NO KEY NO GUIDE PIN									
OPEN (SEE SHEET 2)	O (ZERO)									
LEFT WALL (SEE SHEET 5)	L									
RIGHT WALL (SEE SHEET 6)	M									
TWO WALL (SEE SHEET 7)	1									

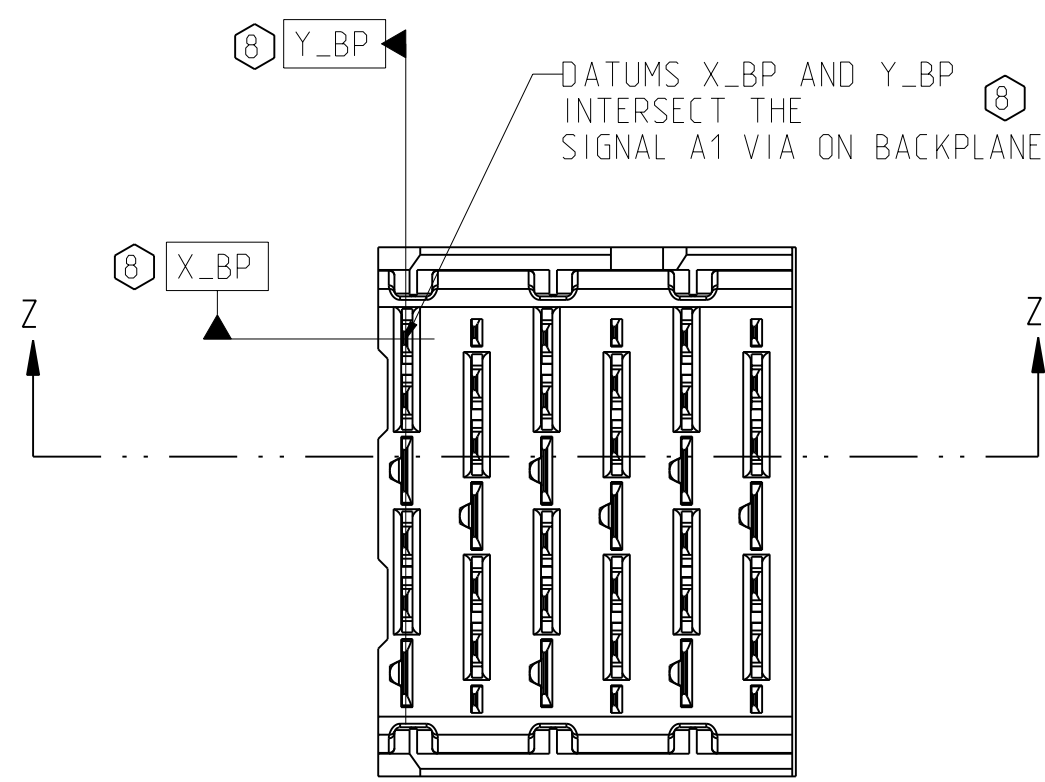
NUMBER	SIGNAL & LG. GROUND WIPE LENGTH, COMPLIANT PIN SIZE
1	2 mm WIPE SIGNAL, 4 mm WIPE LG GND, Ø0.0217" DRILL
2	3 mm WIPE SIGNAL, 4 mm WIPE LG GND, Ø0.0217" DRILL
3	2 mm WIPE SIGNAL, 4 mm WIPE LG GND, Ø0.0177" DRILL
4	3 mm WIPE SIGNAL, 4 mm WIPE LG GND, Ø0.0177" DRILL
5	2 mm WIPE SIGNAL, 3 mm WIPE LG GND, Ø0.0217" DRILL
6	3 mm WIPE SIGNAL, 3 mm WIPE LG GND, Ø0.0217" DRILL
7	2 mm WIPE SIGNAL, 3 mm WIPE LG GND, Ø0.0177" DRILL
8	3 mm WIPE SIGNAL, 3 mm WIPE LG GND, Ø0.0177" DRILL



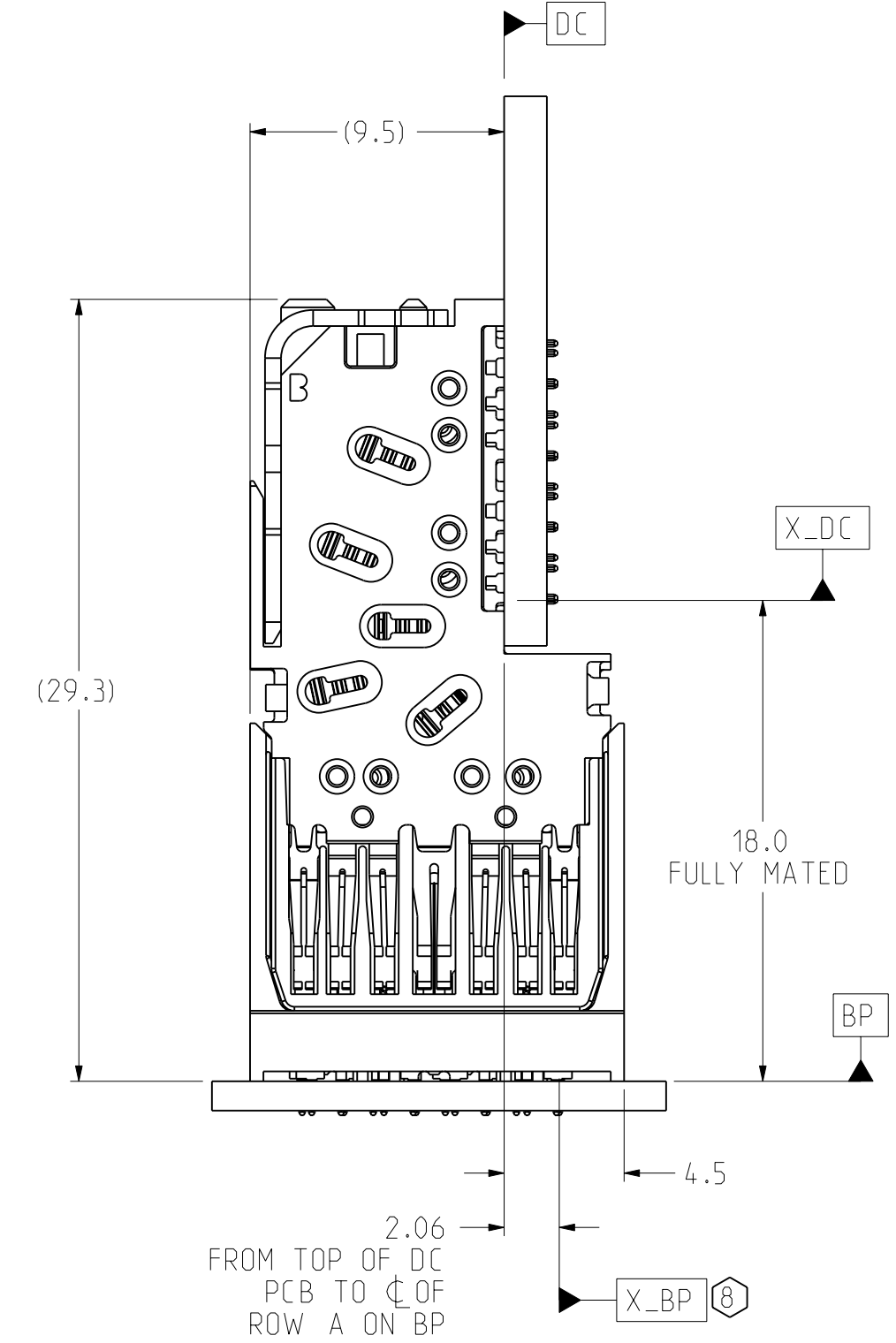
- NOTES:
- REFER TO TB-2150 FOR XCede PRODUCT SPECIFICATIONS.
 - NOTCH DESIGNATES "ROW A" SIDE OF SHROUD. NOTCH FEATURE ON OPPOSITE SIDE FROM PART MARKING.
 - PART MARKING AS FOLLOWS:
 LINE 1: "ATCS" AND DATECODE (ATCS YYWW).
 LINE 2: MODULE PART NUMBER (951-####-###).
 LINE 3: WORK ORDER NUMBER (###*#####).
 WHERE "*" DENOTES MANUFACTURING LOCATION.
 - PLATING THICKNESS OF SIGNAL CONTACT AND GROUND CONTACT IS DETERMINED BY PLATING CODE. SEE PART NUMBER TREE SHEET 1.
 - REPAIR PROCEDURE FOR MODULE. SEE TB-2210.
 - SEE TB-2149 FOR ROUTING GUIDELINES & PTH REQ'S.
 - SEE DOC C190-1001-000 FOR TOOLING KEEPOUT ZONES.
 - BACKPLANE DATUM REFERENCE.
 - OPTIONAL HOLE/MOUNTING SCREW LOCATION FOR GROUNDED PIN OR ADDITIONAL GUIDE PIN SUPPORT.
 REFER TO TB-2211 FOR PROPER GUIDE PIN SELECTION AND DRAWING C942-2010-000 FOR OPTIONAL HOLE DETAILS.
 ONLY APPLIES FOR MACHINED GUIDE PIN APPLICATIONS.
 - DIMENSIONS APPLY FOR BOTH COMPLIANT PIN SIZES.



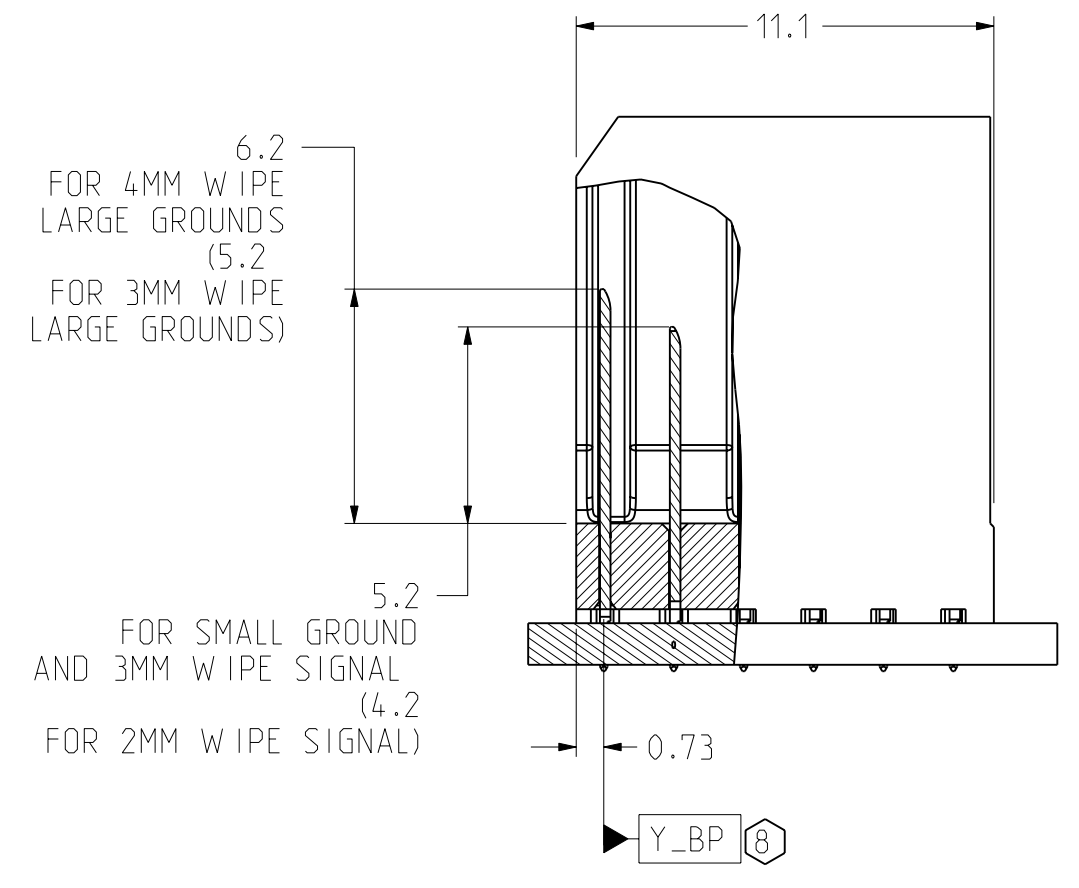
TOLERANCES	DESIGN 01/08/2009 A.ASTBURY	Amphenol TCS A Division of Amphenol Corporation 200 Innovative Way, Nashua, NH 03062 603.879.3000	TITLE BACKPLANE MODULES, VERTICAL MALE HEADER XCede, 2 PAIR 6 POSITION
0.0 ±0.25	DRAWN 10/22/2009 HCL-MH		
0.00 ±0.13	CHK 10/22/2009 A.ASTBURY		
0.000 ± -	APVD 10/22/2009 D.SMITH		
ANGLES ± 3°	PART NO. SEE PN TREE SHEET 1 DRAWING NO. C951-200C-500 PRO/E DRAWING: C951-200C-500-BP2-MODULES-6WAF		REV A 3.4 5.13
UNLESS OTHERWISE SPECIFIED DIMENSIONS ARE IN MM. DECIMAL MARKER IS A PERIOD.			CUSTOMER USE DRAWING SIZE D SCALE 3/1 SHEET 1 OF 8



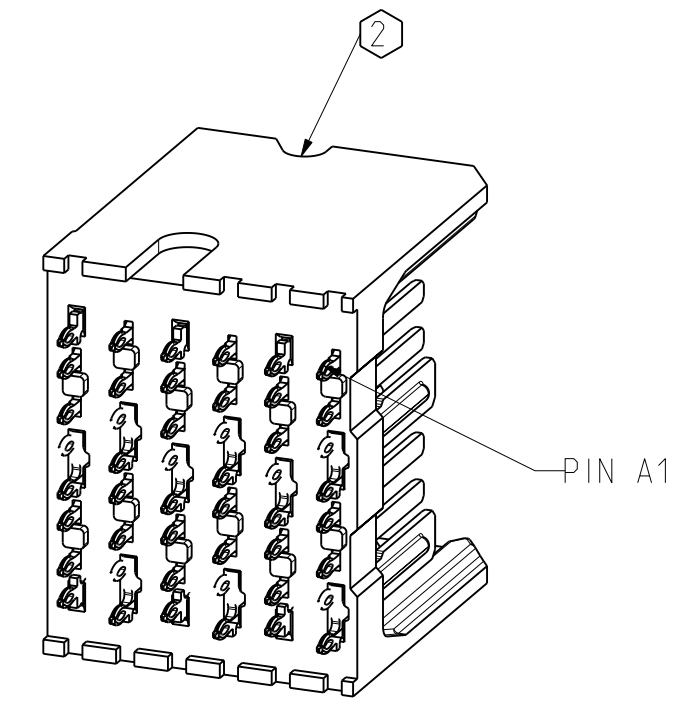
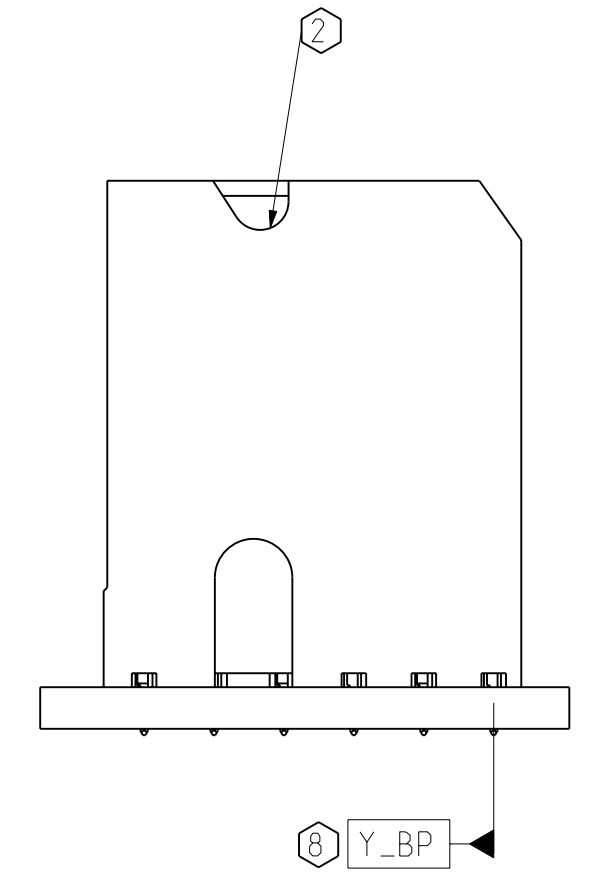
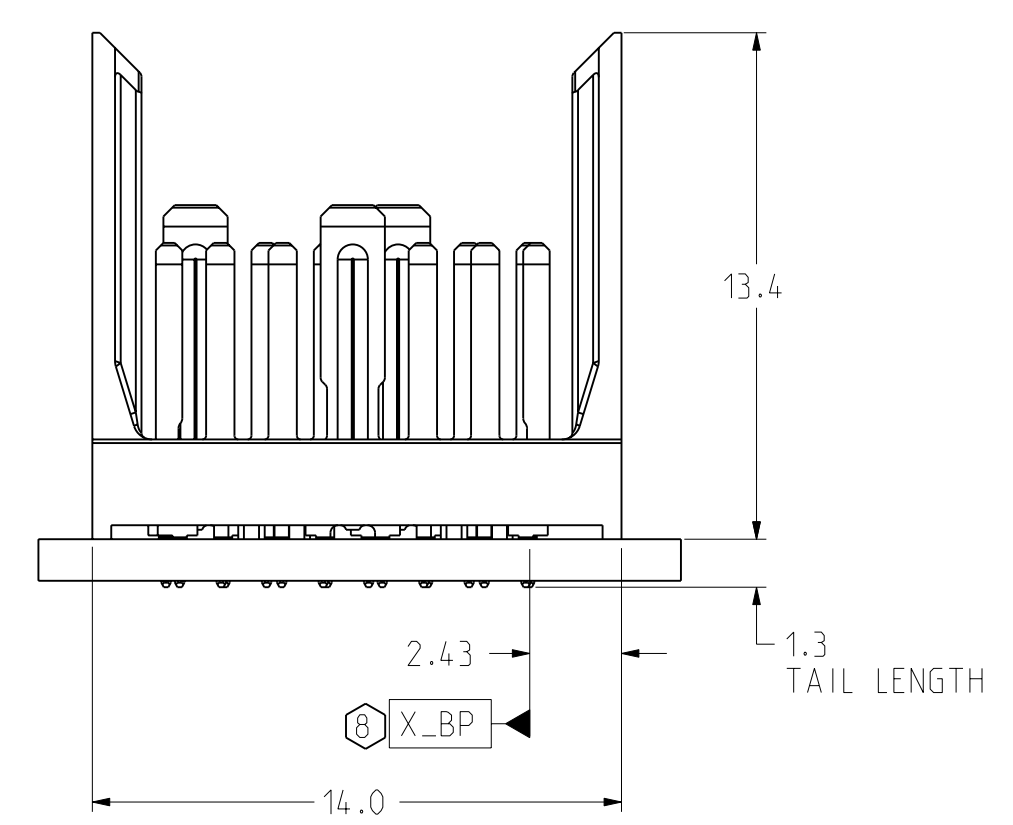
OPEN BACKPLANE MODULE DIMENSION



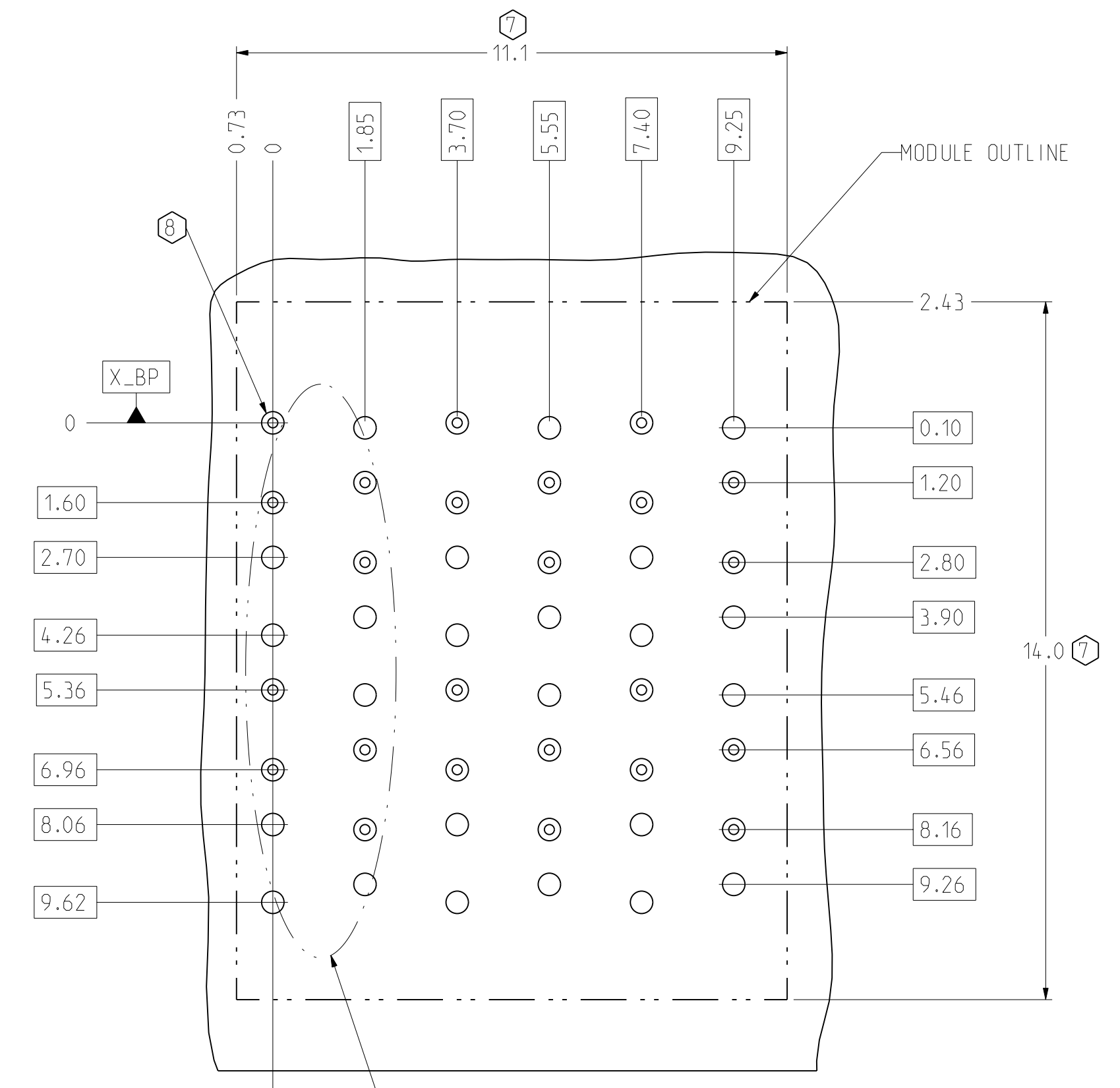
CONNECTOR REFERENCE SCALE 4/1



SECTION Z-Z



ISOMETRIC VIEW SCALE 4/1



BP HOLE PATTERN COMPONENT SIDE SCALE 10/1

OPEN BACKPLANE FOOTPRINT

TOLERANCES		DESIGN 01/08/2009 A.ASTBURY	Amphenol TCS A Division of Amphenol Corporation 200 Innovative Way, Nashua, NH 03062 603.879.3000	TITLE BACKPLANE MODULES, VERTICAL MALE HEADER Xcete: 2 PAIR 6 POSITION
0.0	±0.25	DRAWN 10/22/2009 HCL-MH		
0.00	±0.13	CHK 10/22/2009 A.ASTBURY		
0.000	±	APVD 10/22/2009 D.SMITH		
ANGLES	± 3°			
UNLESS OTHERWISE SPECIFIED DIMENSIONS ARE IN MM. DECIMAL MARKER IS A PERIOD.			PART NO. SEE PN TREE SHEET 1	REV
			DRAWING NO. C951-200C-500	REV A
			PRO/E DRAWING: C951-200C-500-BP2-MODULES-6WAF	3.4 5.13
SIZE D	SCALE 5/1	SHEET 2 OF 8		

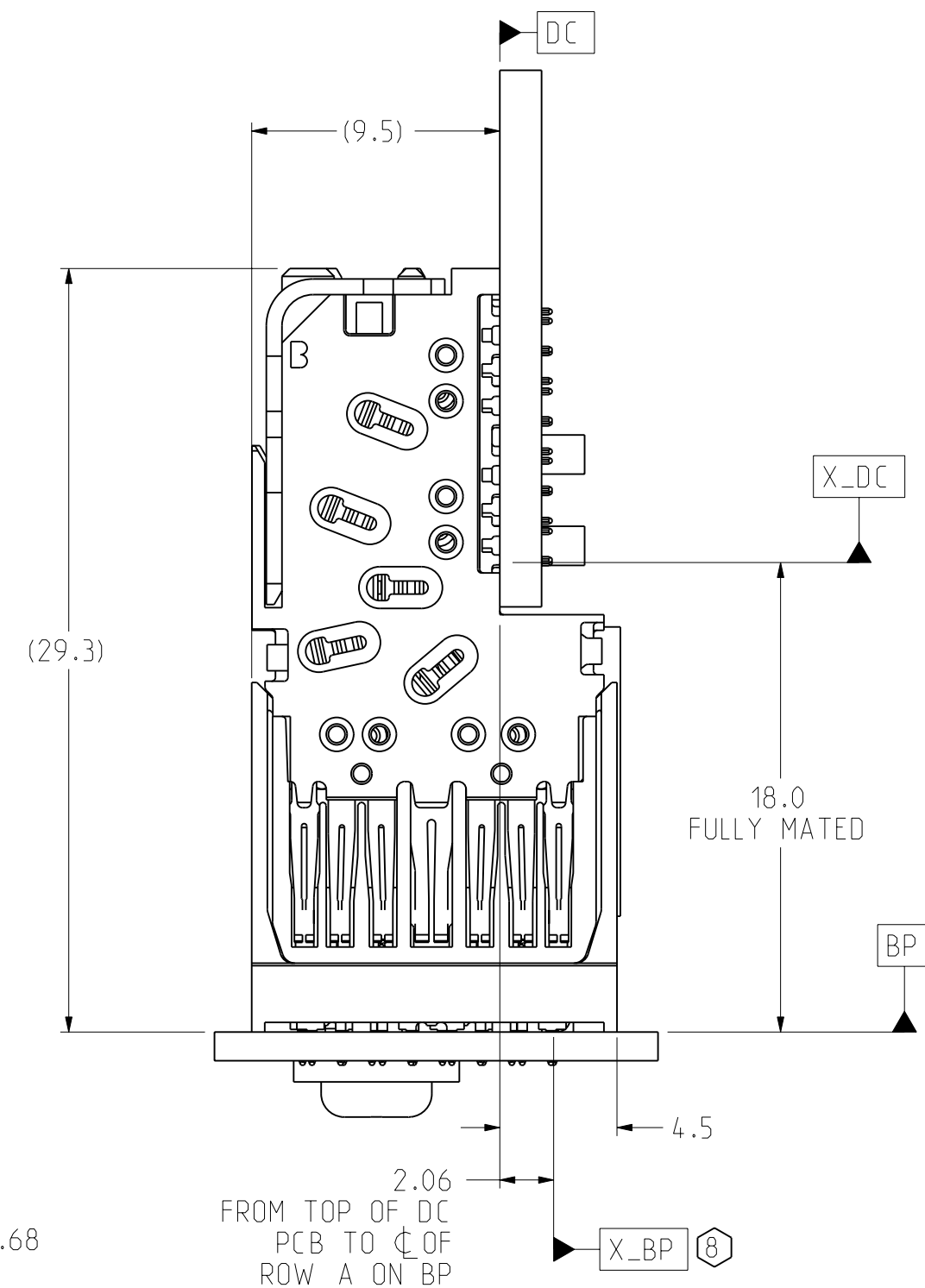
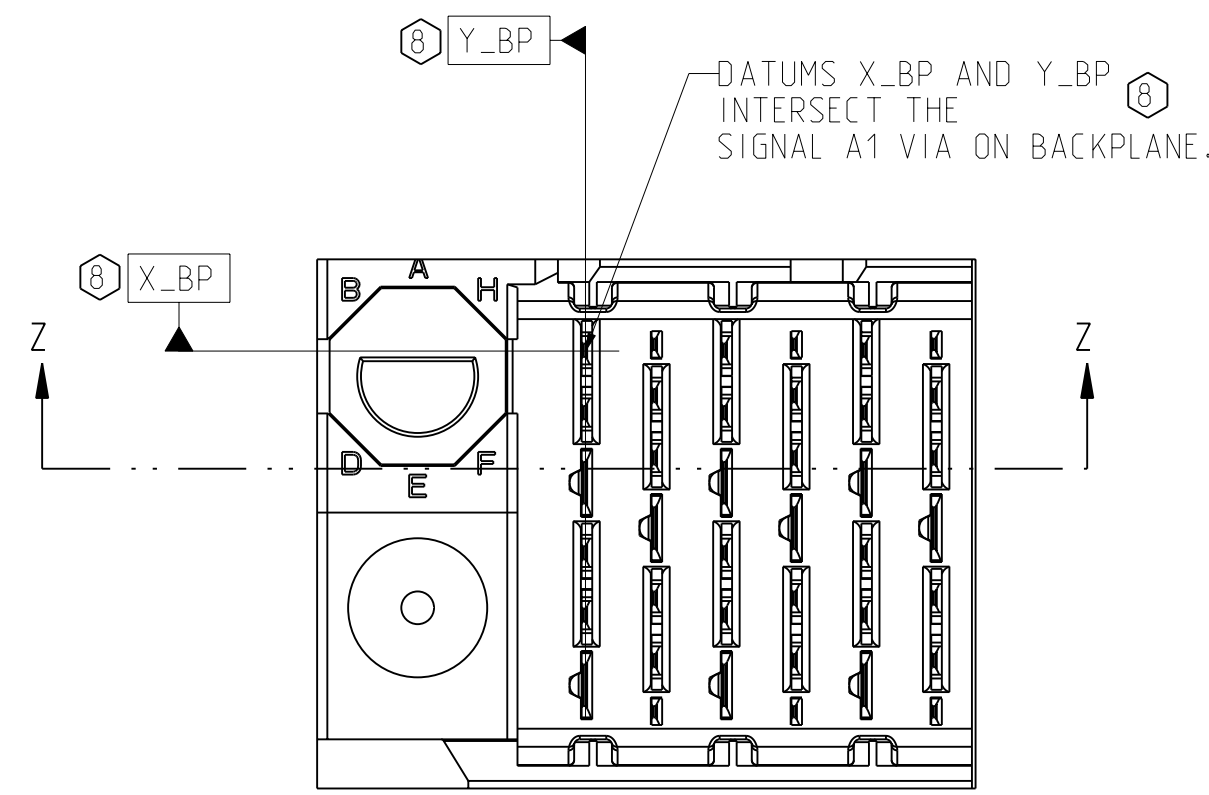
INTERPRET PER ASME Y14.5M
CODE IDENT 31413

CUSTOMER USE
DRAWING

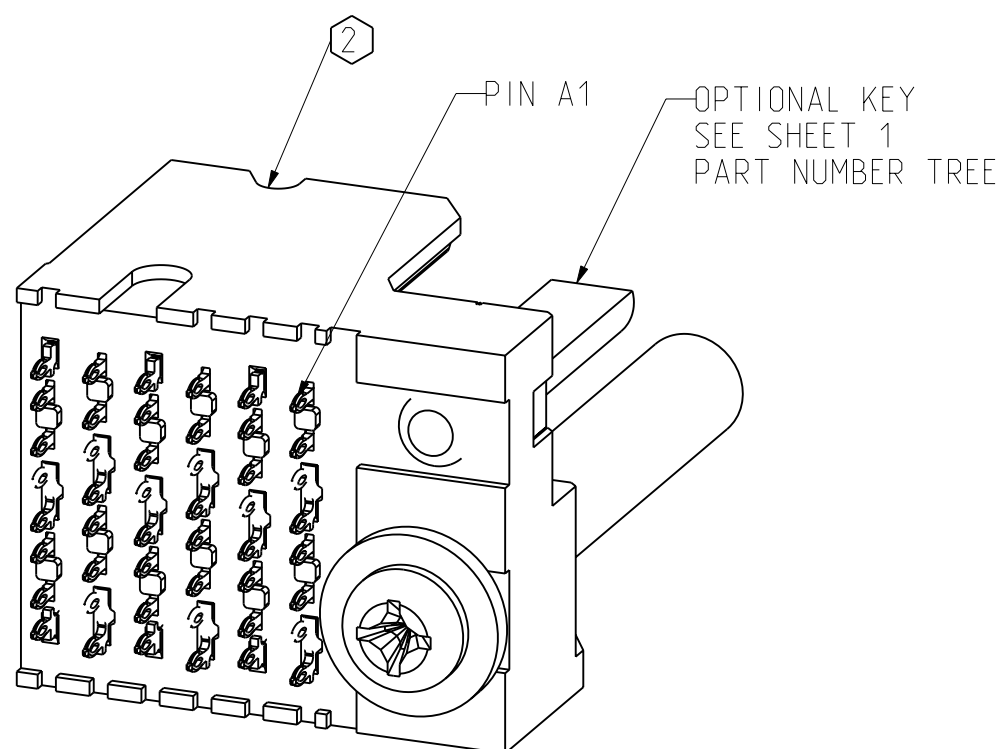
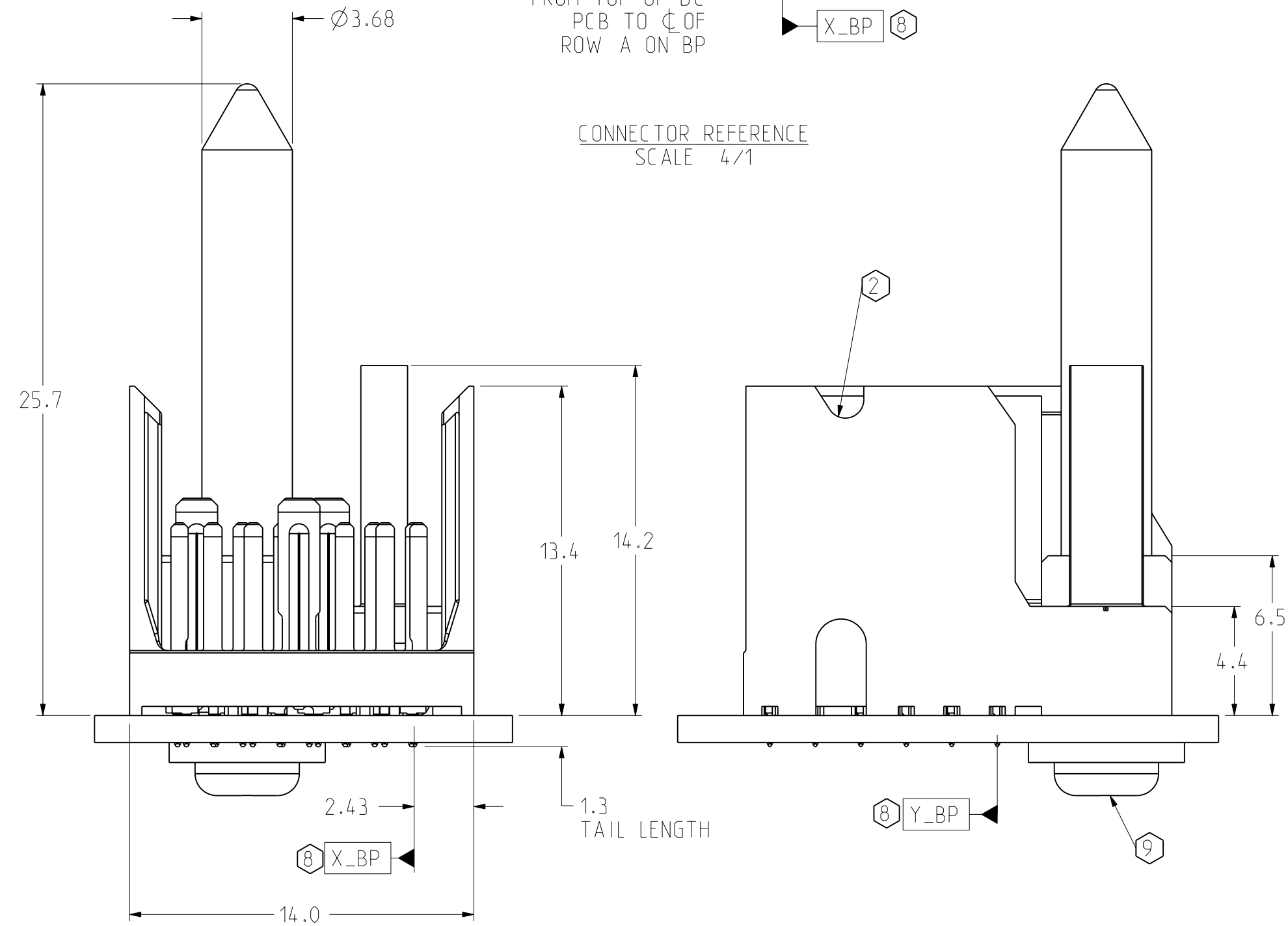
DRW NO. C951-200C-500

SH 2 REV A

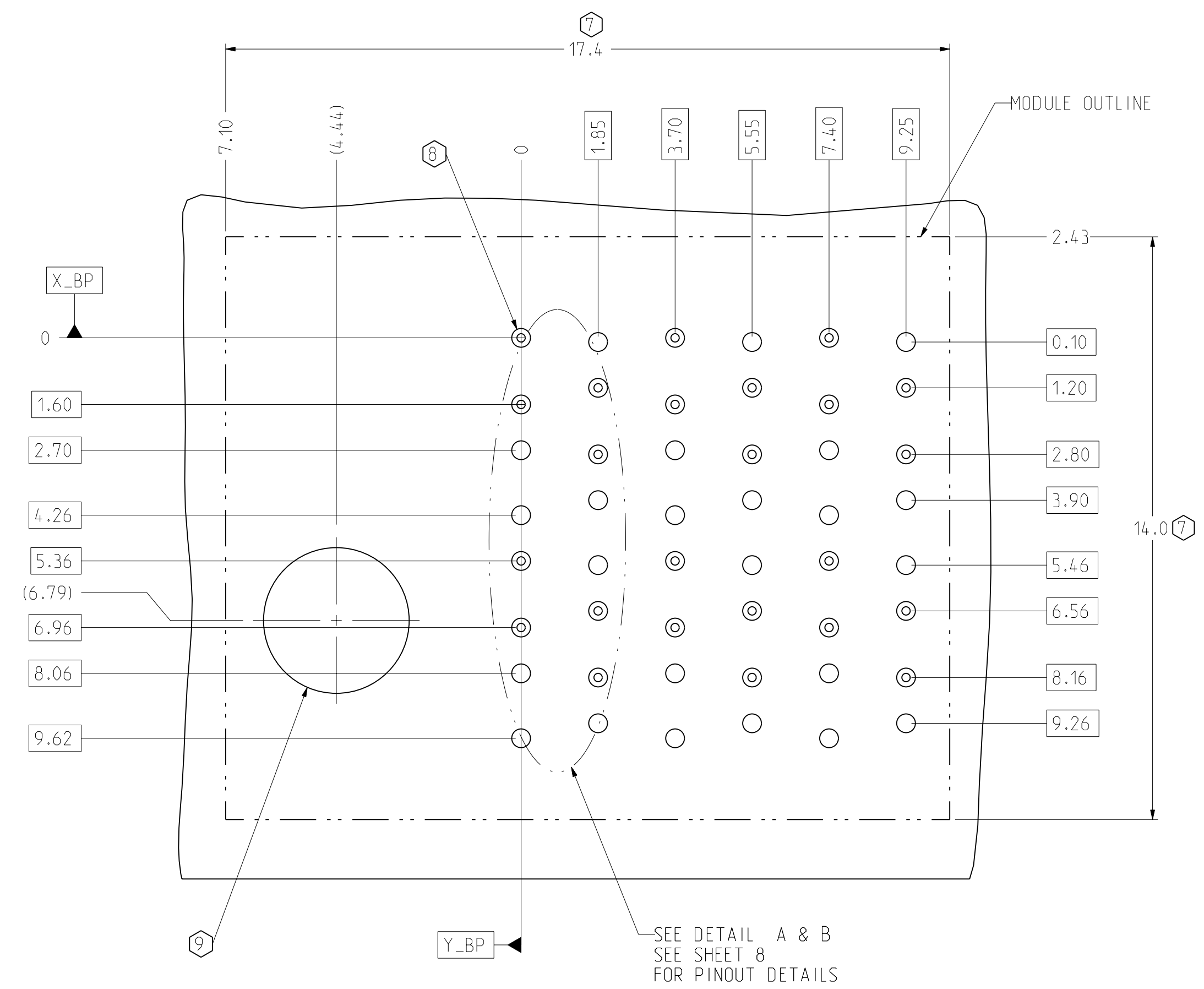
LEFT POLARIZING/GUIDE BACKPLANE MODULE DIMENSION



CONNECTOR REFERENCE SCALE 4/1

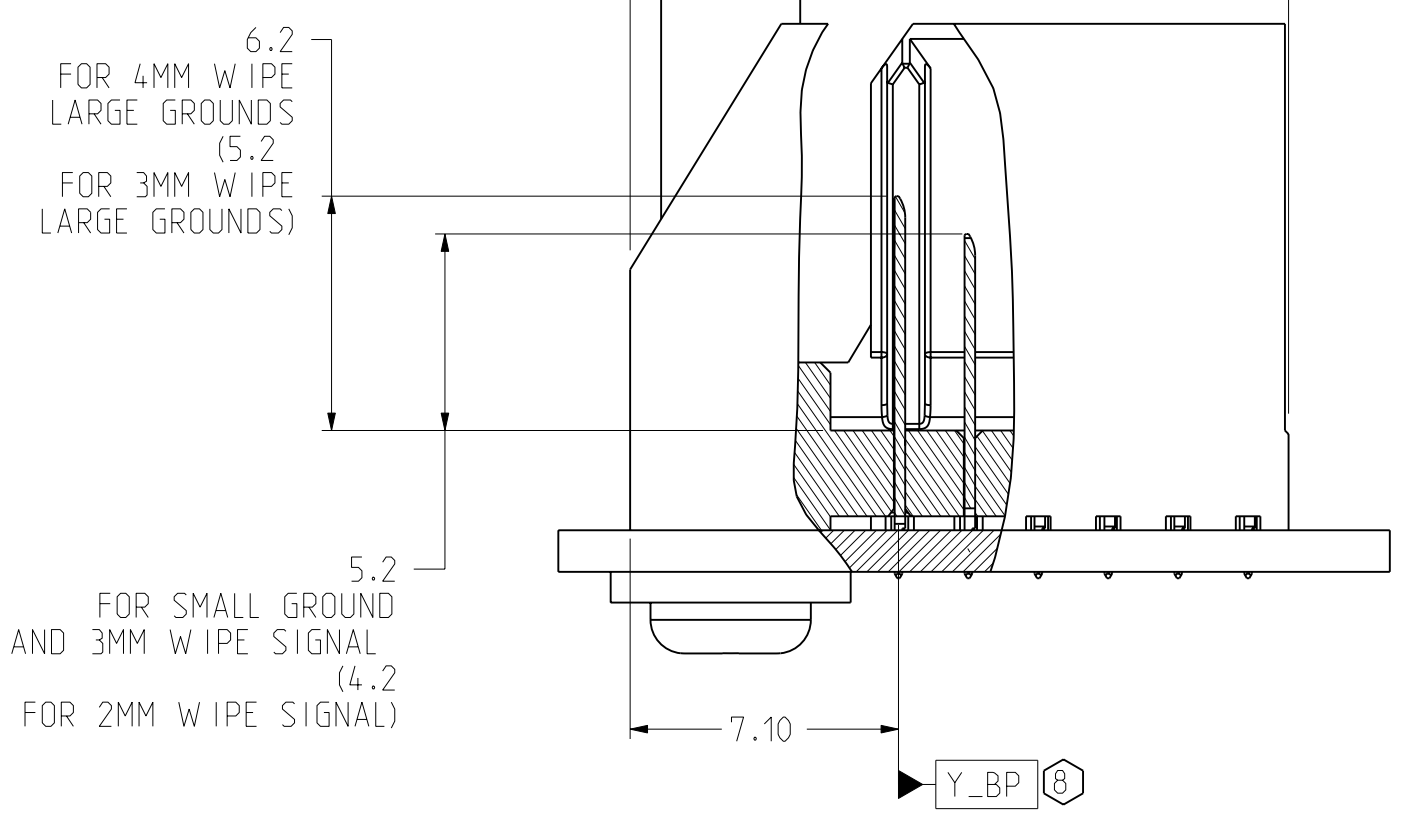


ISOMETRIC VIEW SCALE 4/1



BP HOLE PATTERN COMPONENT SIDE SCALE 10/1

LEFT POLARIZING/GUIDE BACKPLANE FOOTPRINT

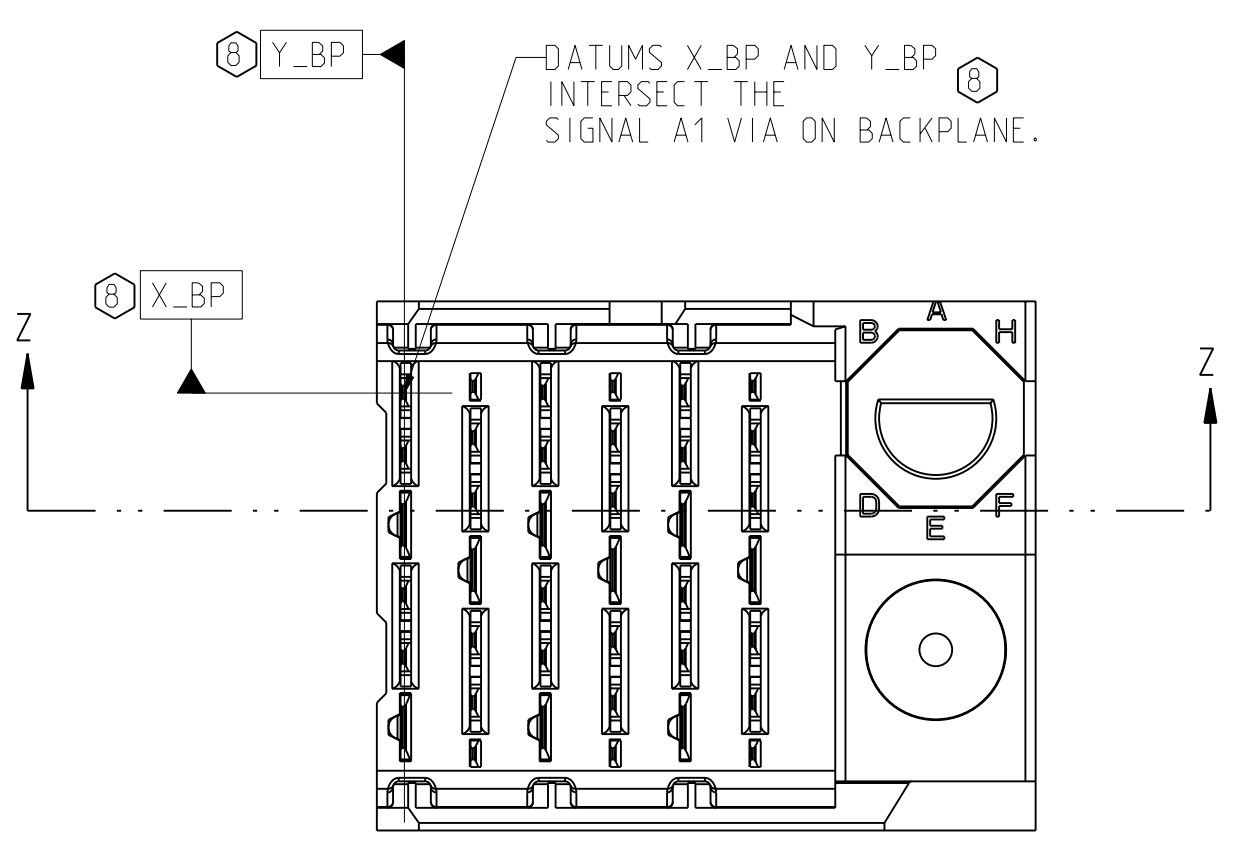


SECTION Z-Z

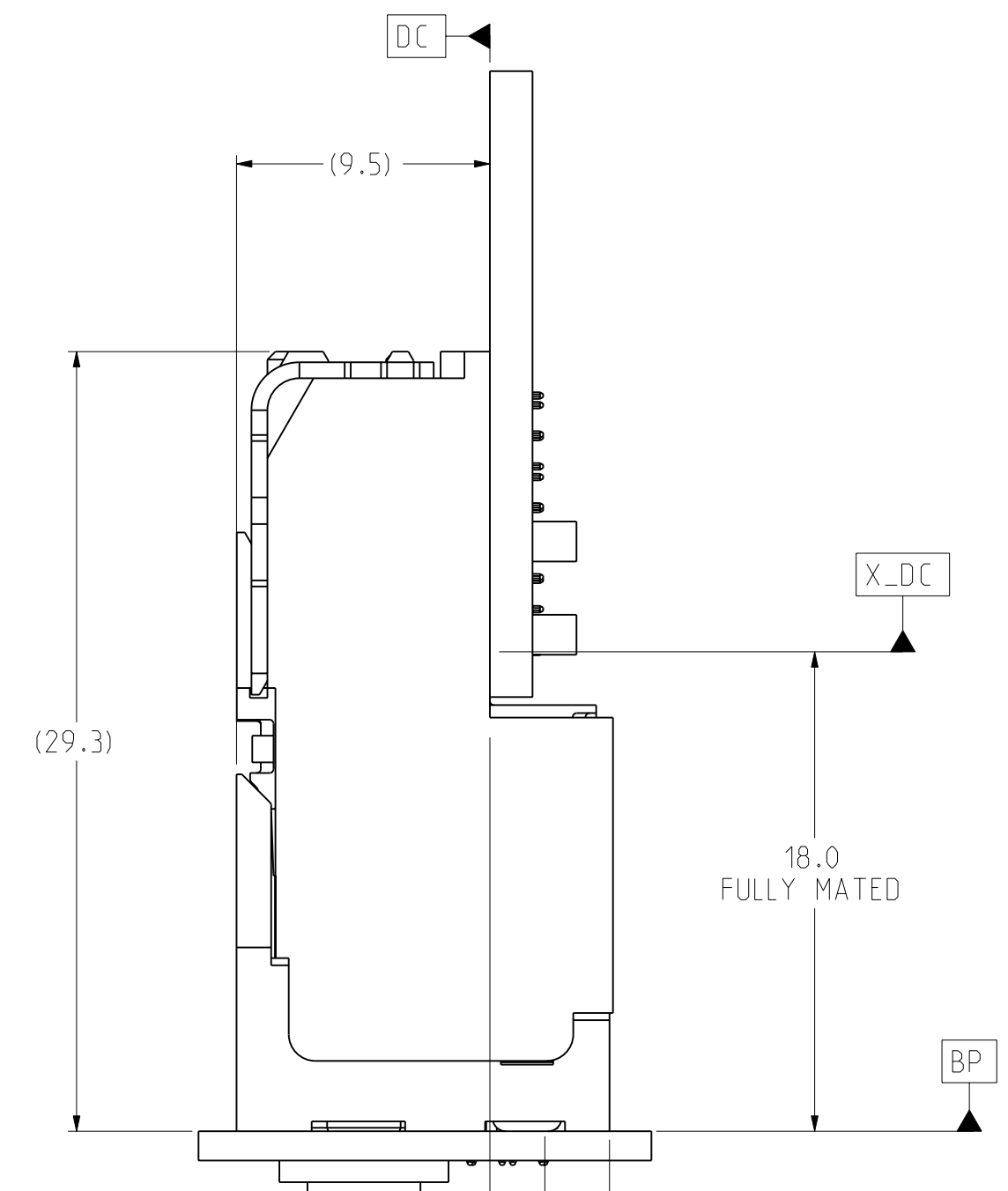
TOLERANCES		DESIGN 01/08/2009 A.ASTBURY	Amphenol TCS A Division of Amphenol Corporation 200 Innovative Way, Nashua, NH 03062 603.879.3000	TITLE BACKPLANE MODULES, VERTICAL MALE HEADER XCede, 2 PAIR 6 POSITION		
0.0	±0.25	DRAWN 10/22/2009 HCL-MH		PART NO.	SEE PN TREE SHEET 1	REV
0.00	±0.13	CHK 10/22/2009 A.ASTBURY		DRAWING NO.	C951-200C-500	REV A
0.000	±	APVD 10/22/2009 D.SMITH		PROJ. DRAWING	C951-200C-500-BP2-MODULES-6WAF	3.4 5.13
ANGLES	± 3°	UNLESS OTHERWISE SPECIFIED DIMENSIONS ARE IN MM. DECIMAL MARKER IS A PERIOD		SIZE D	SCALE 5/1	
INTERPRET PER ASME Y14.5M CODE IDENT 31413			CUSTOMER USE DRAWING		SHEET 3 OF 8	

DRW NO. C951-200C-500

SH 3 REV A



RIGHT POLARIZING/GUIDE BACKPLANE MODULE DIMENSION

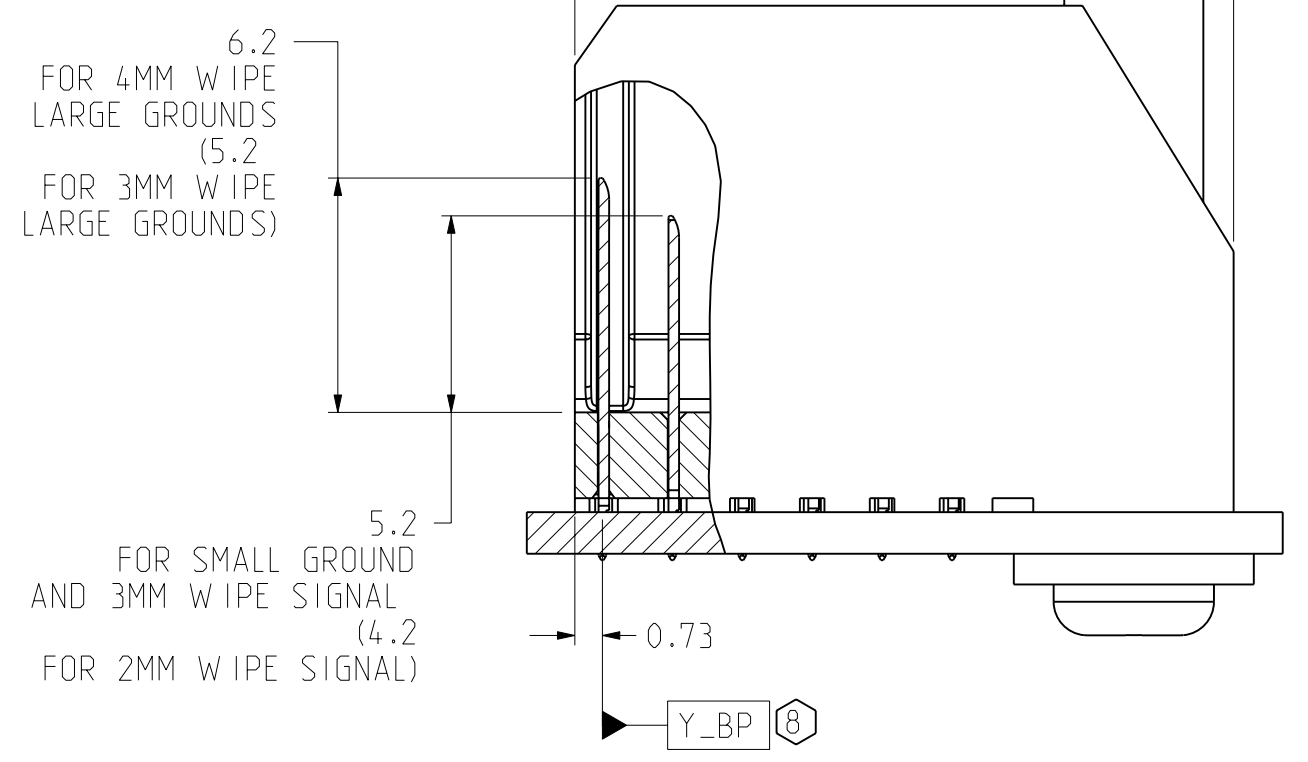


CONNECTOR REFERENCE SCALE 4/1

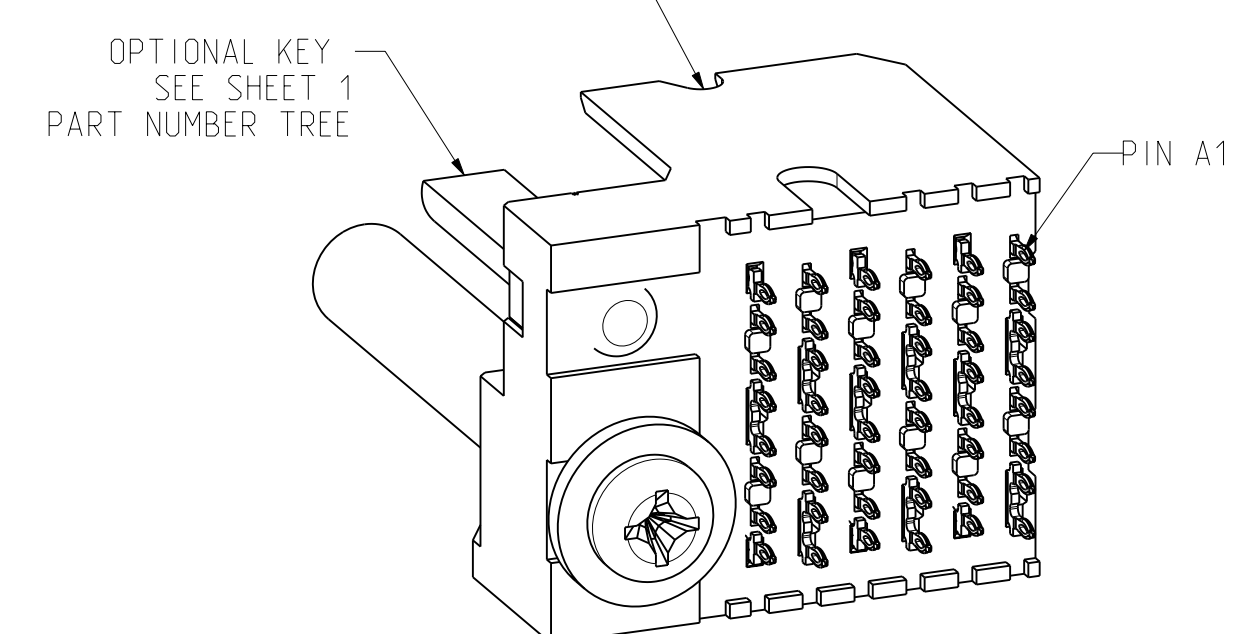
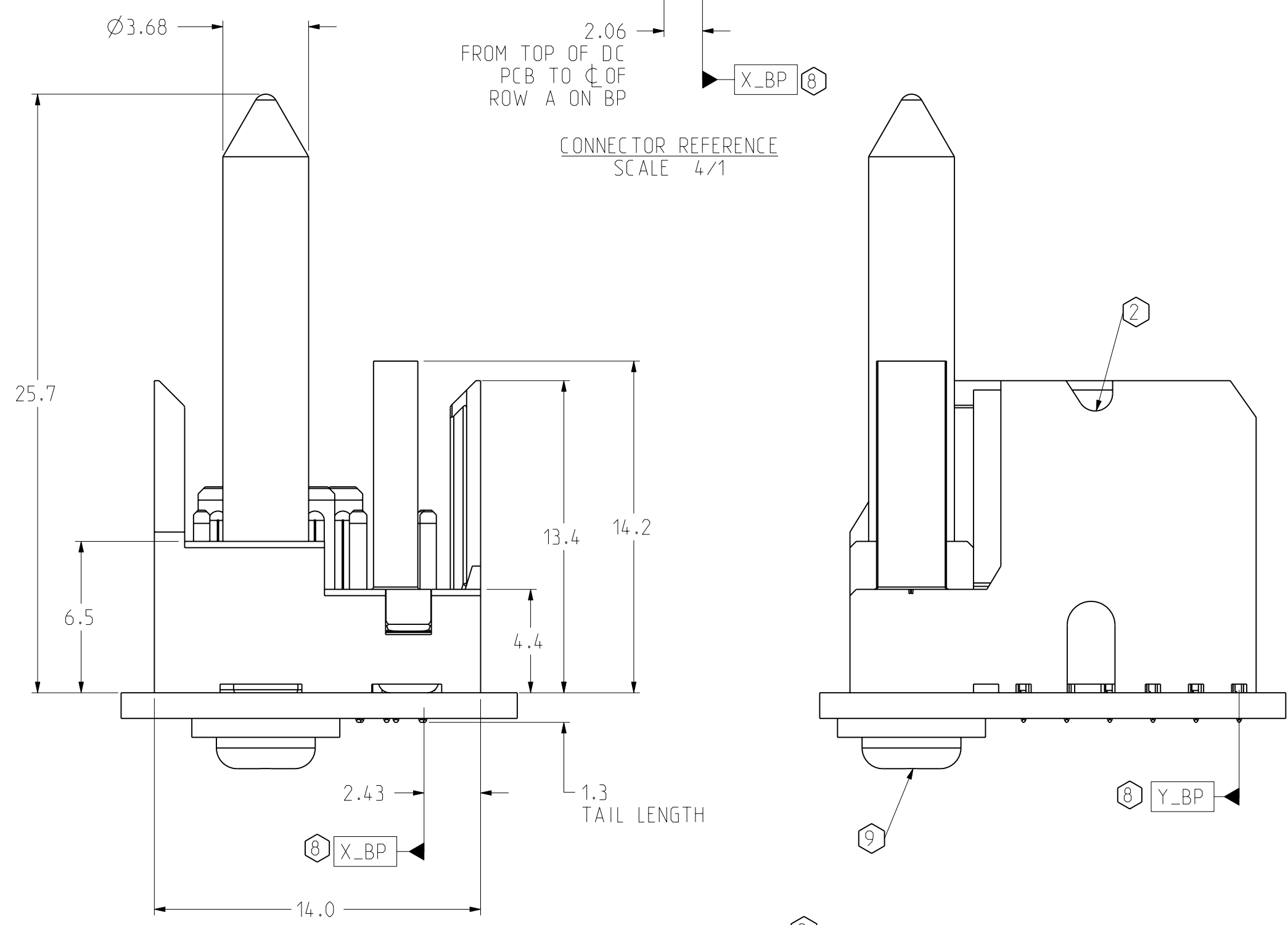
2.06 FROM TOP OF DC PCB TO CL OF ROW A ON BP

4.5

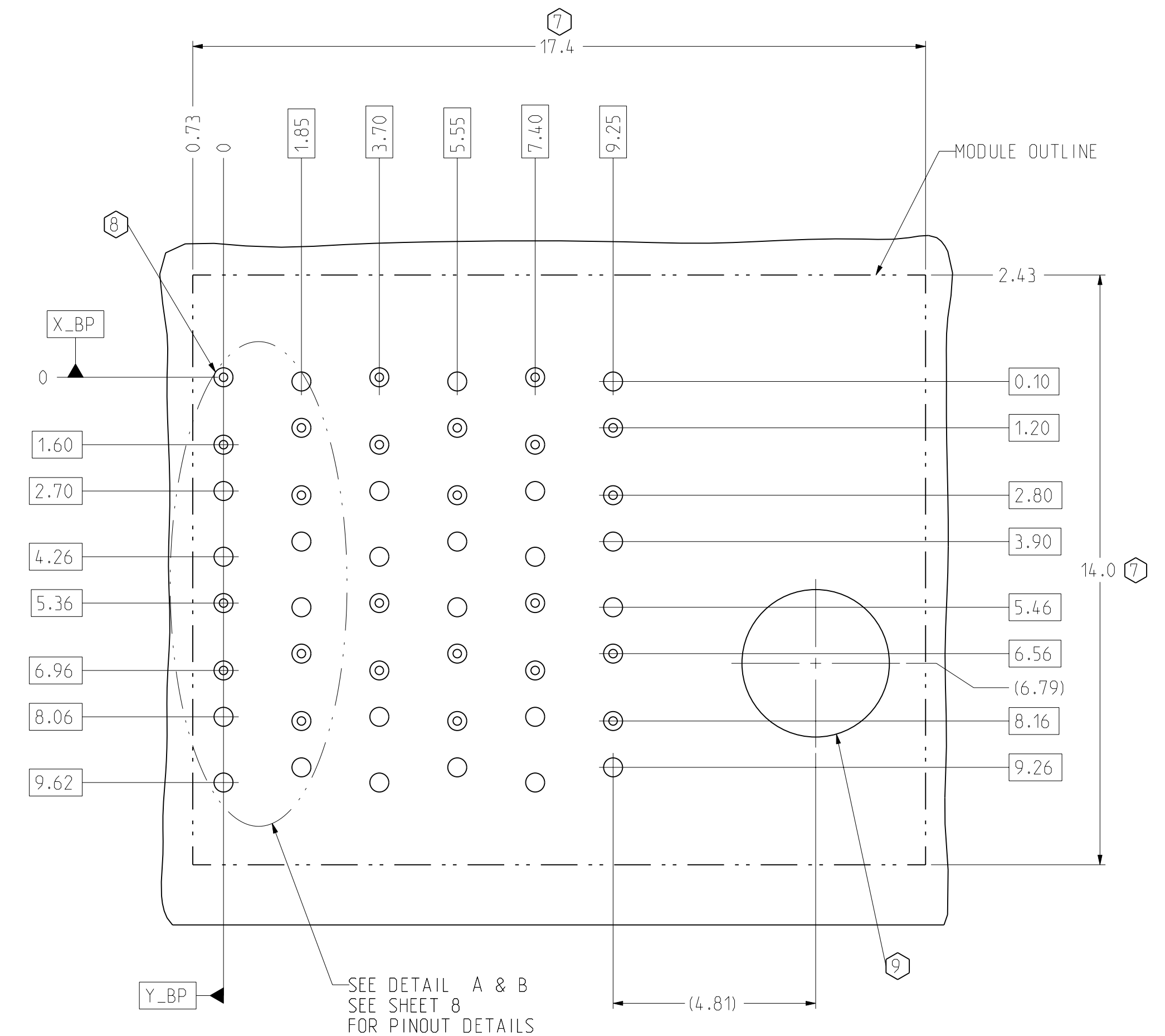
X_BP



SECTION Z-Z



ISOMETRIC VIEW SCALE 4/1



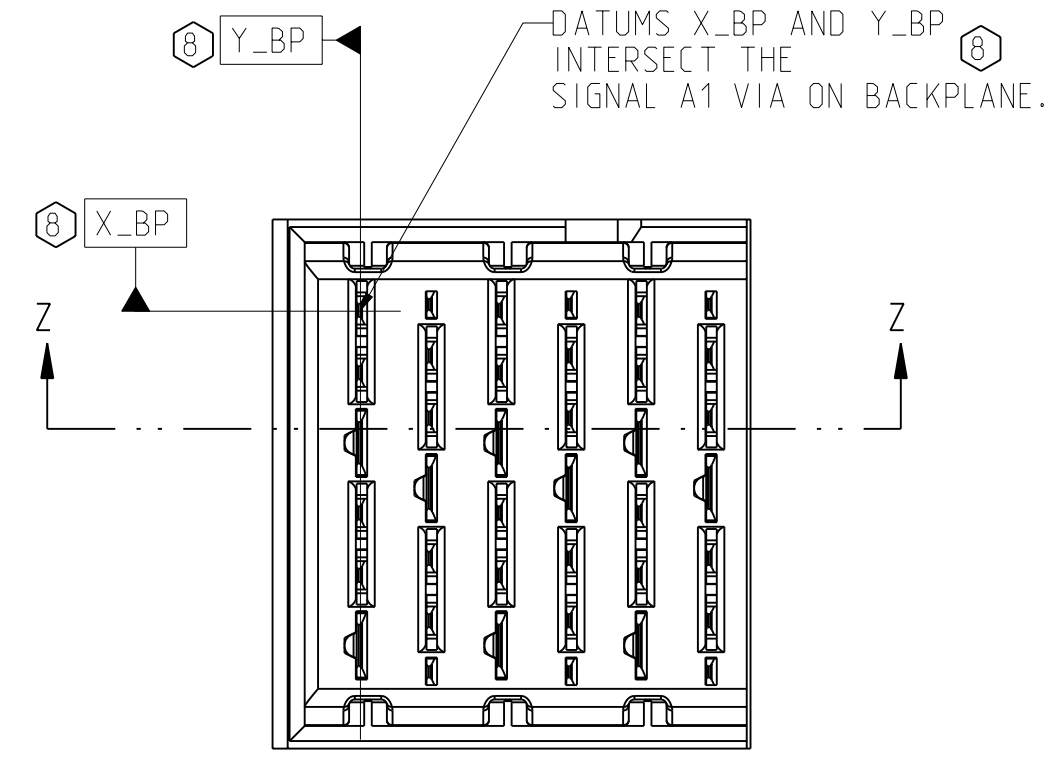
BP HOLE PATTERN COMPONENT SIDE SCALE 10/1

RIGHT POLARIZING/GUIDE BACKPLANE FOOTPRINT

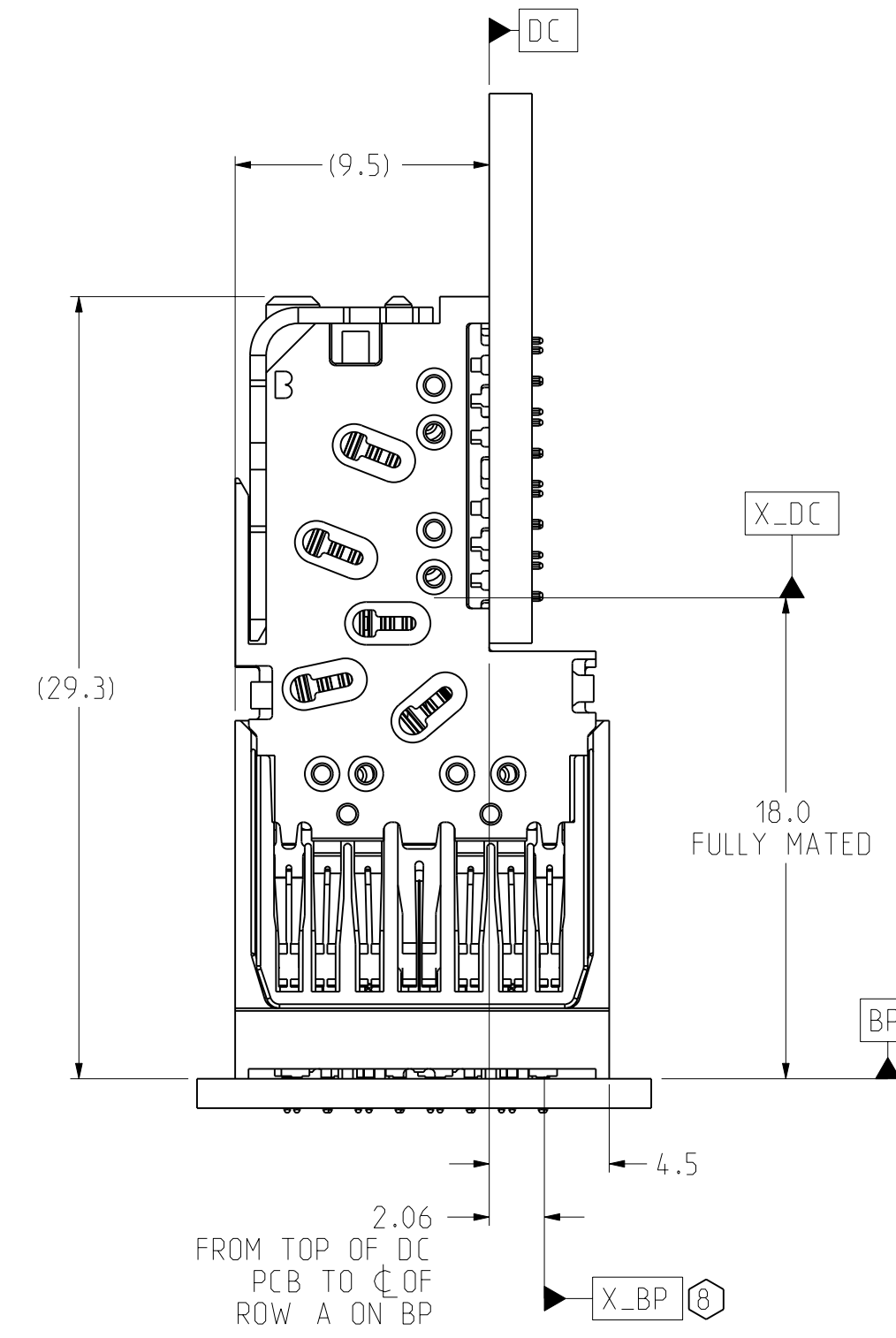
TOLERANCES		DESIGN 01/08/2009 A.ASTBURY	Amphenol TCS A Division of Amphenol Corporation 200 Innovative Way, Nashua, NH 03062 603.879.3000	TITLE BACKPLANE MODULES, VERTICAL MALE HEADER Xcete, 2 PAIR 6 POSITION	PART NO. SEE PN TREE SHEET 1	REV A
0.0	±0.25	DRAWN 10/22/2009 HCL-MH				
0.00	±0.13	CHK 10/22/2009 A.ASTBURY				
0.000	±	APVD 10/22/2009 D.SMITH				
UNLESS OTHERWISE SPECIFIED DIMENSIONS ARE IN MM. DECIMAL MARKER IS A PERIOD			DRAWING NO. C951-200C-500		REV A	
INTERPRET PER ASME Y14.5M CODE IDENT 31413			CUSTOMER USE DRAWING		Pro/E Type: C951-2-BP2 Pro/E DRAWING: C951-200C-500-BP2-MODULES-6WAF SIZE D SCALE 5/1 SHEET 4 OF 8	

DRW NO. C951-200C-500

SH 4 REV A

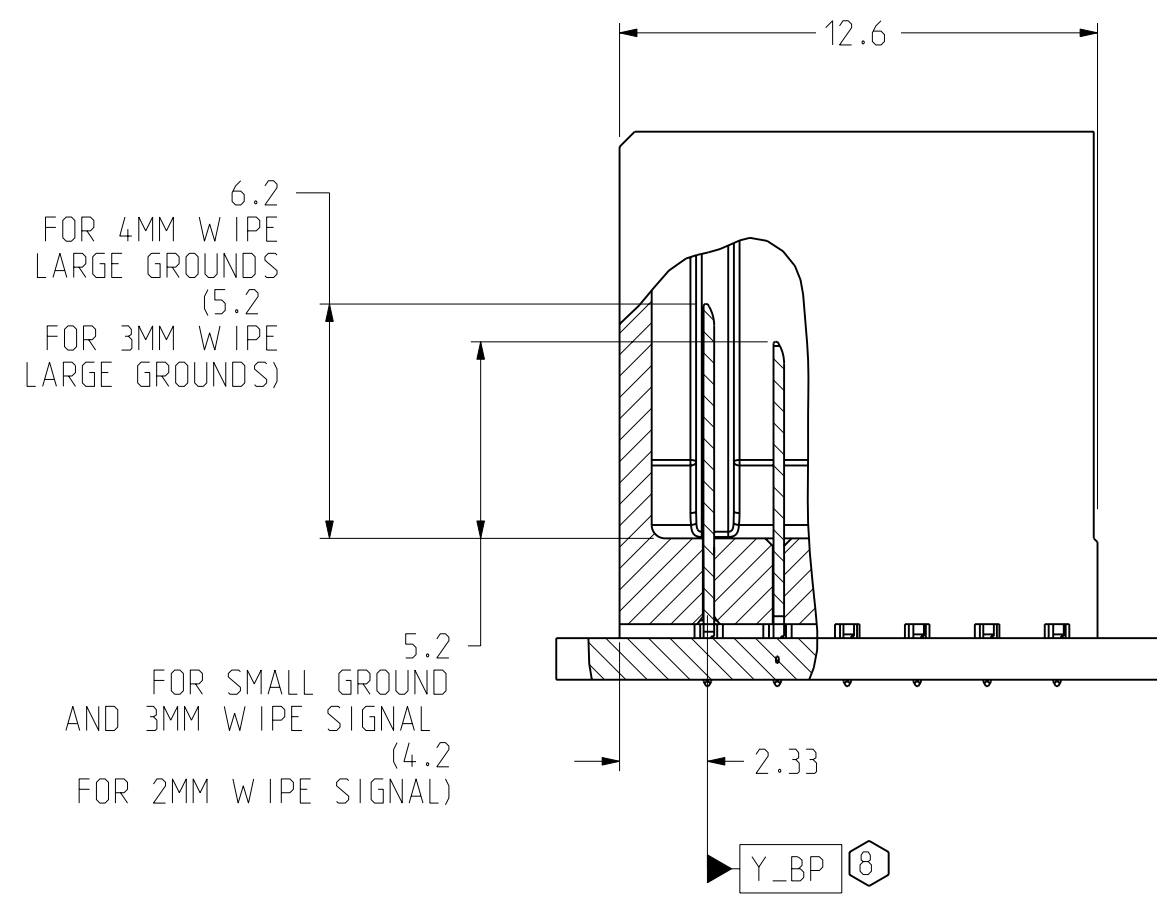


LEFT WALL BACKPLANE MODULE DIMENSION

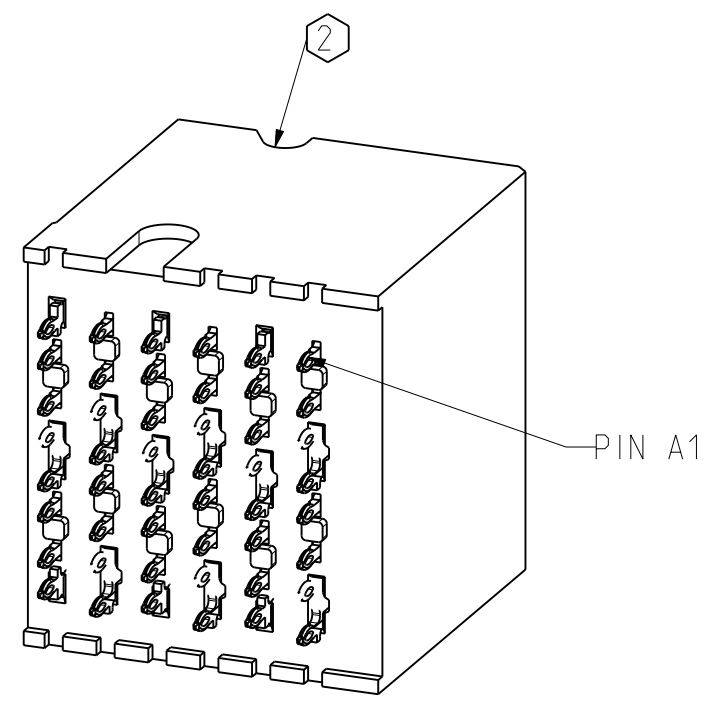
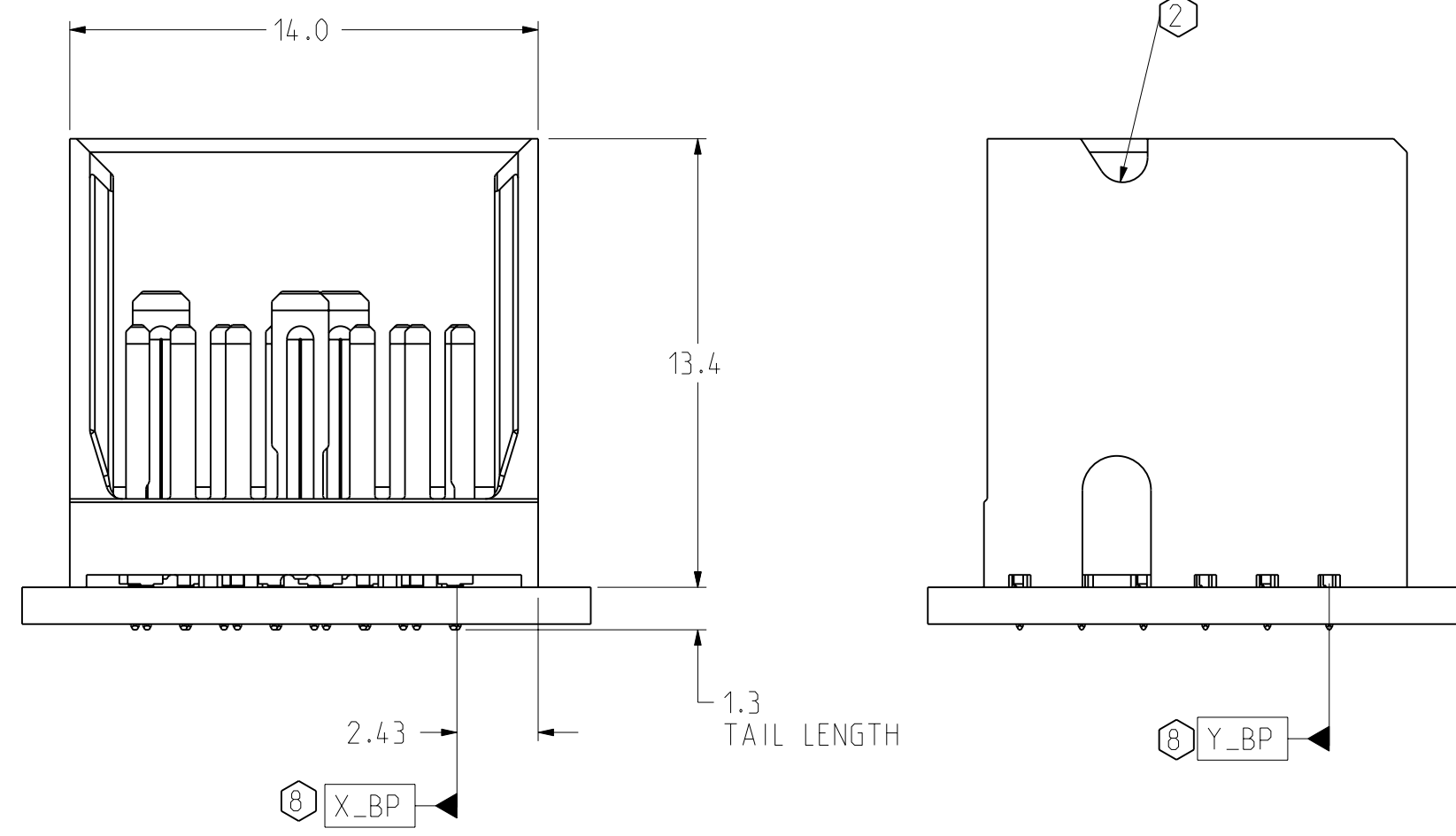


2.06 FROM TOP OF DC PCB TO CL OF ROW A ON BP

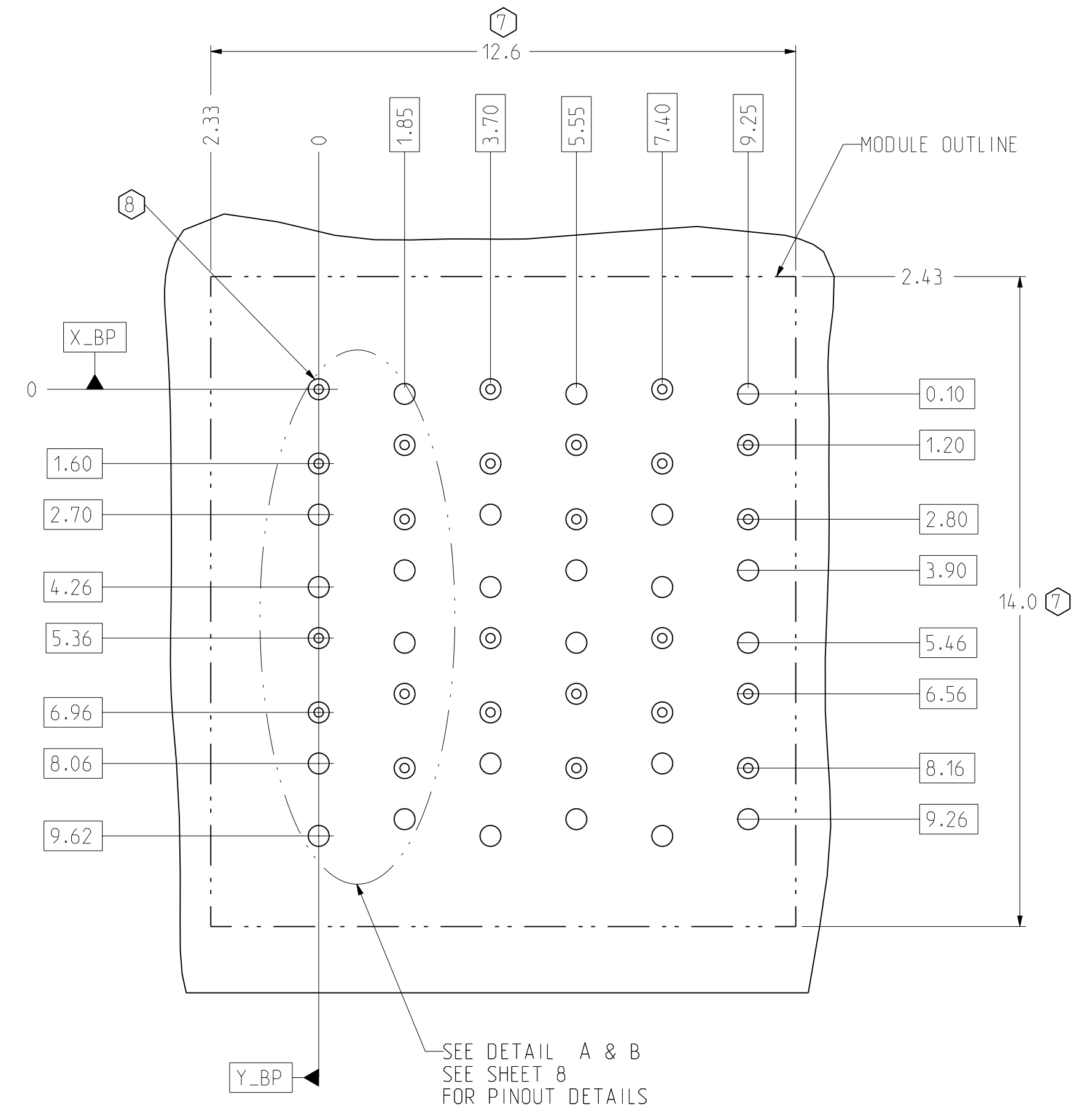
CONNECTOR REFERENCE SCALE 4/1



SECTION Z-Z



ISOMETRIC VIEW SCALE 4/1



BP HOLE PATTERN COMPONENT SIDE SCALE 10/1

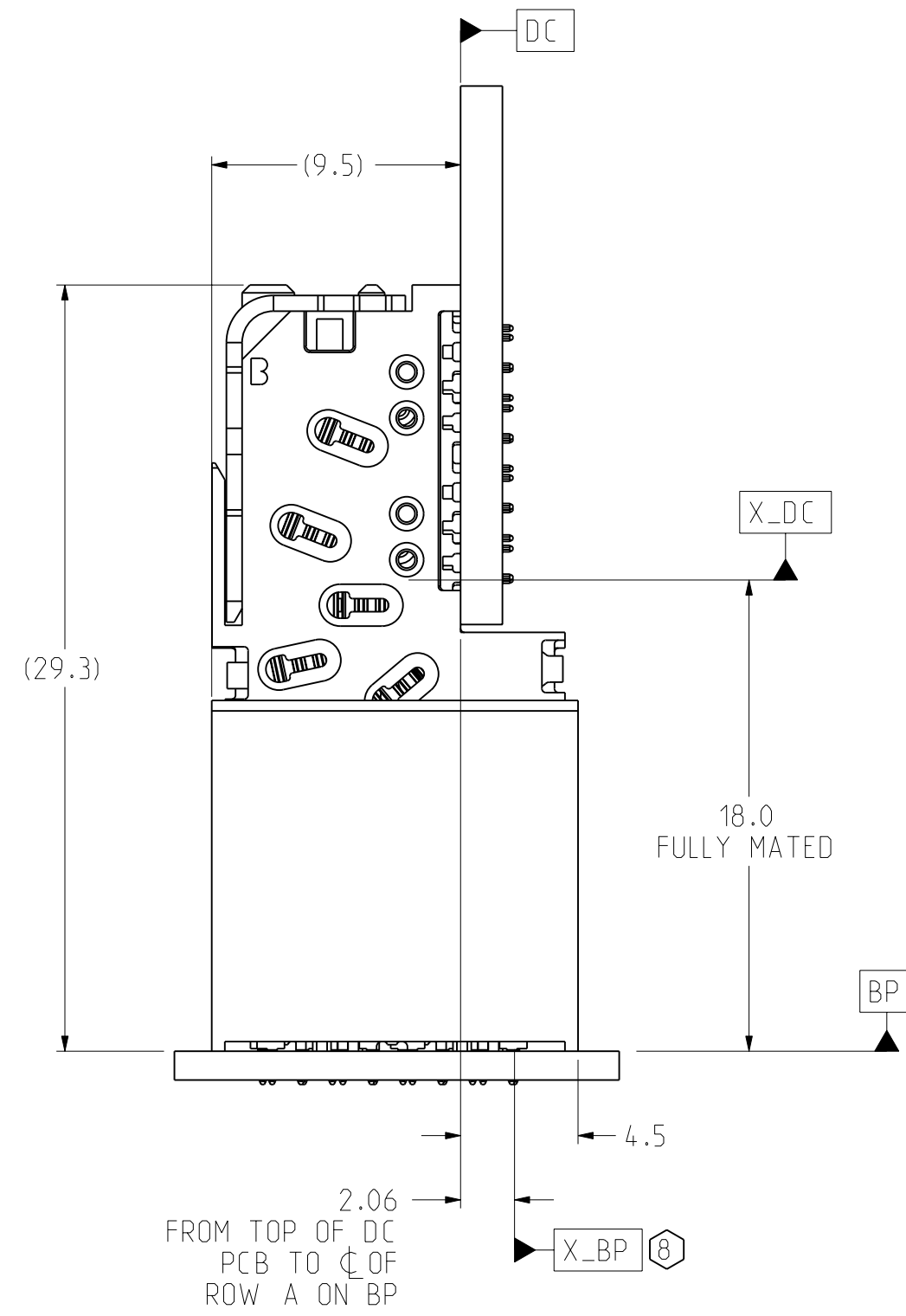
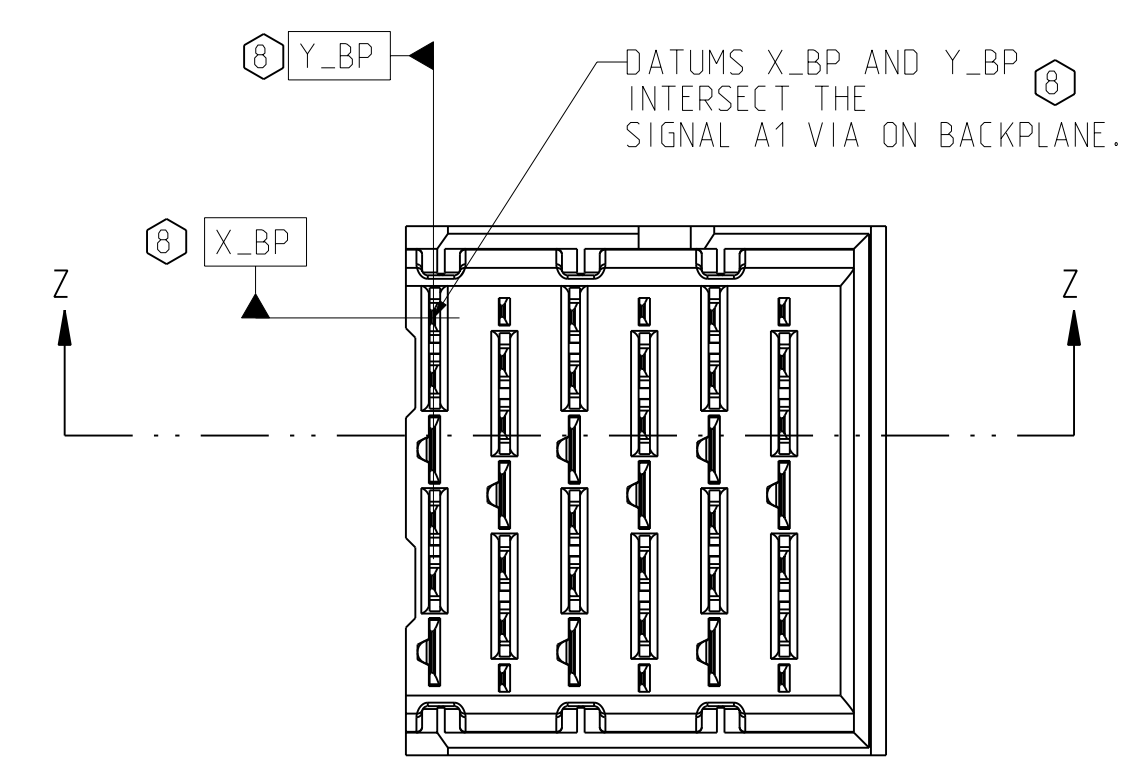
LEFT WALL BACKPLANE FOOTPRINT

TOLERANCES		DESIGN 01/08/2009 A.ASTBURY	Amphenol TCS A Division of Amphenol Corporation 200 Innovative Way, Nashua, NH 03062 603.879.3000	TITLE BACKPLANE MODULES, VERTICAL MALE HEADER Xcde, 2 PAIR 6 POSITION
0.0	±0.25	DRAWN 10/22/2009 HCL-MH		
0.00	±0.13	CHK 10/22/2009 A.ASTBURY		
0.000	± -	APVD 10/22/2009 D.SMITH		
ANGLES	± 3°			
UNLESS OTHERWISE SPECIFIED DIMENSIONS ARE IN MM. DECIMAL MARKER IS A PERIOD			PART NO. SEE PN TREE SHEET 1	REV
INTERPRET PER ASME Y14.5M			DRAWING NO. C951-200C-500	REV A
CODE IDENT 31413			PRO/E DRAWING C951-200C-500-BP2-MODULES-6WAF	3.4 5.13
SIZE D	SCALE 5/1	SHEET 5 OF 8		

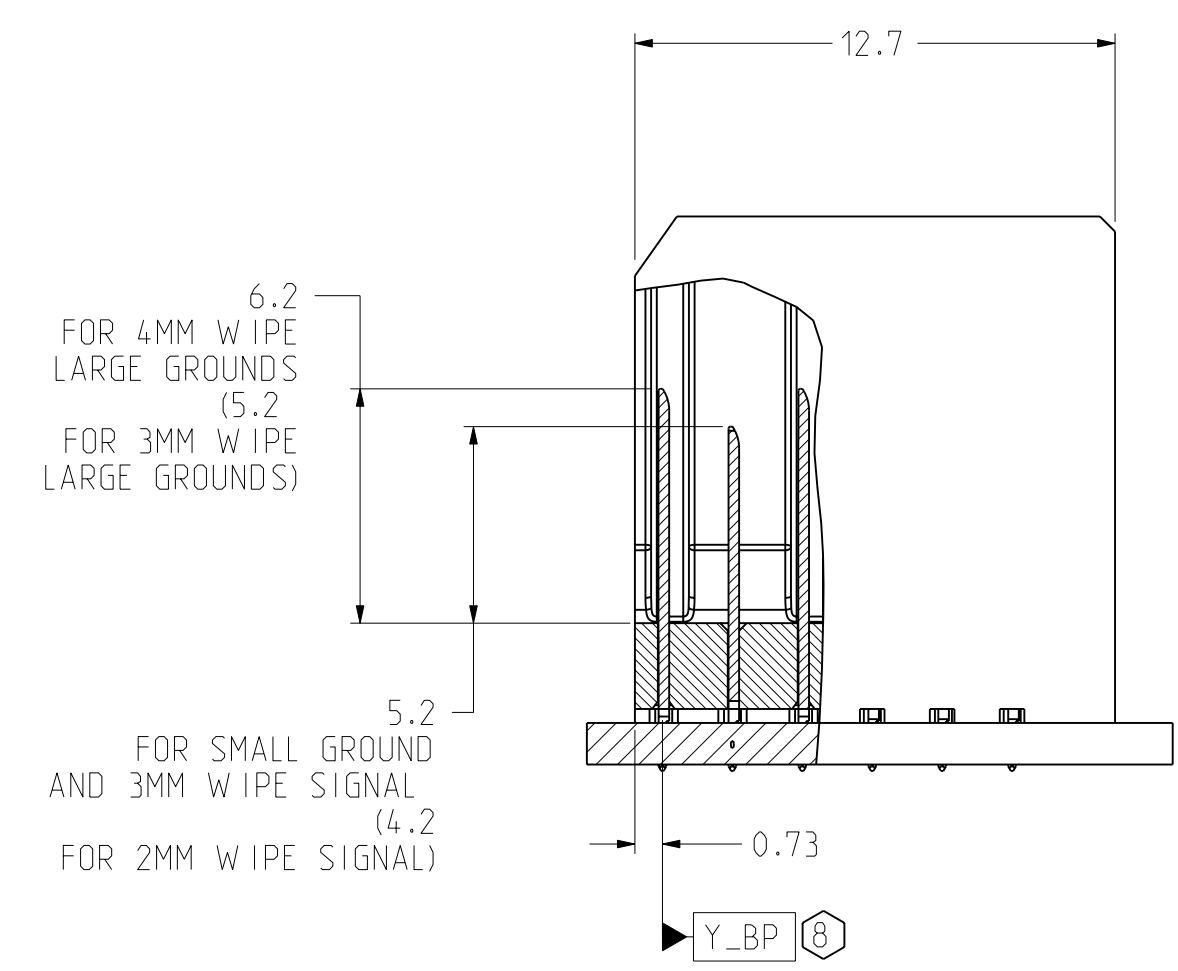
CUSTOMER USE DRAWING

DRW NO. C951-200C-500

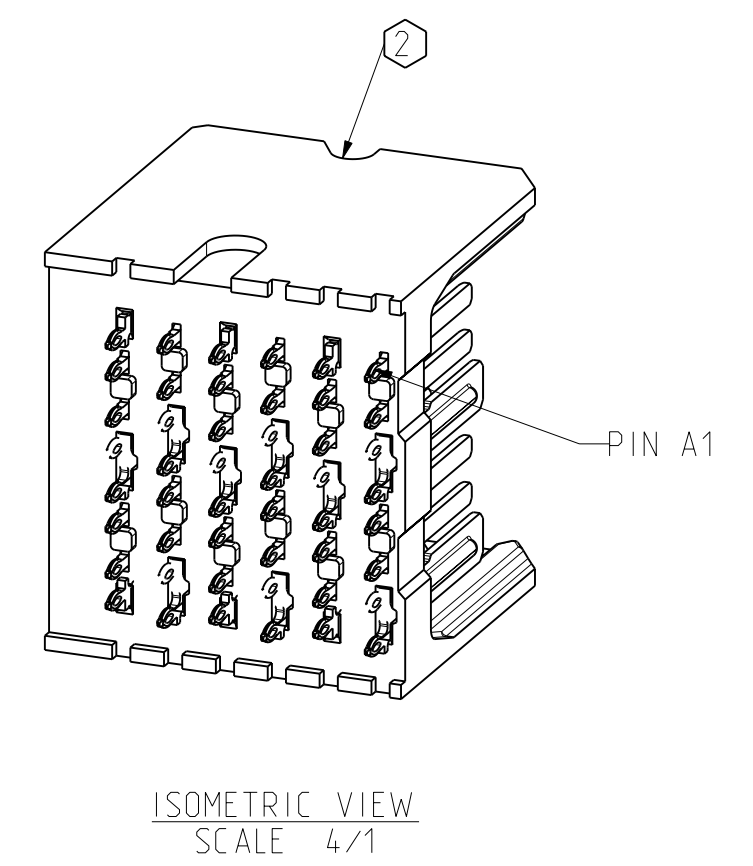
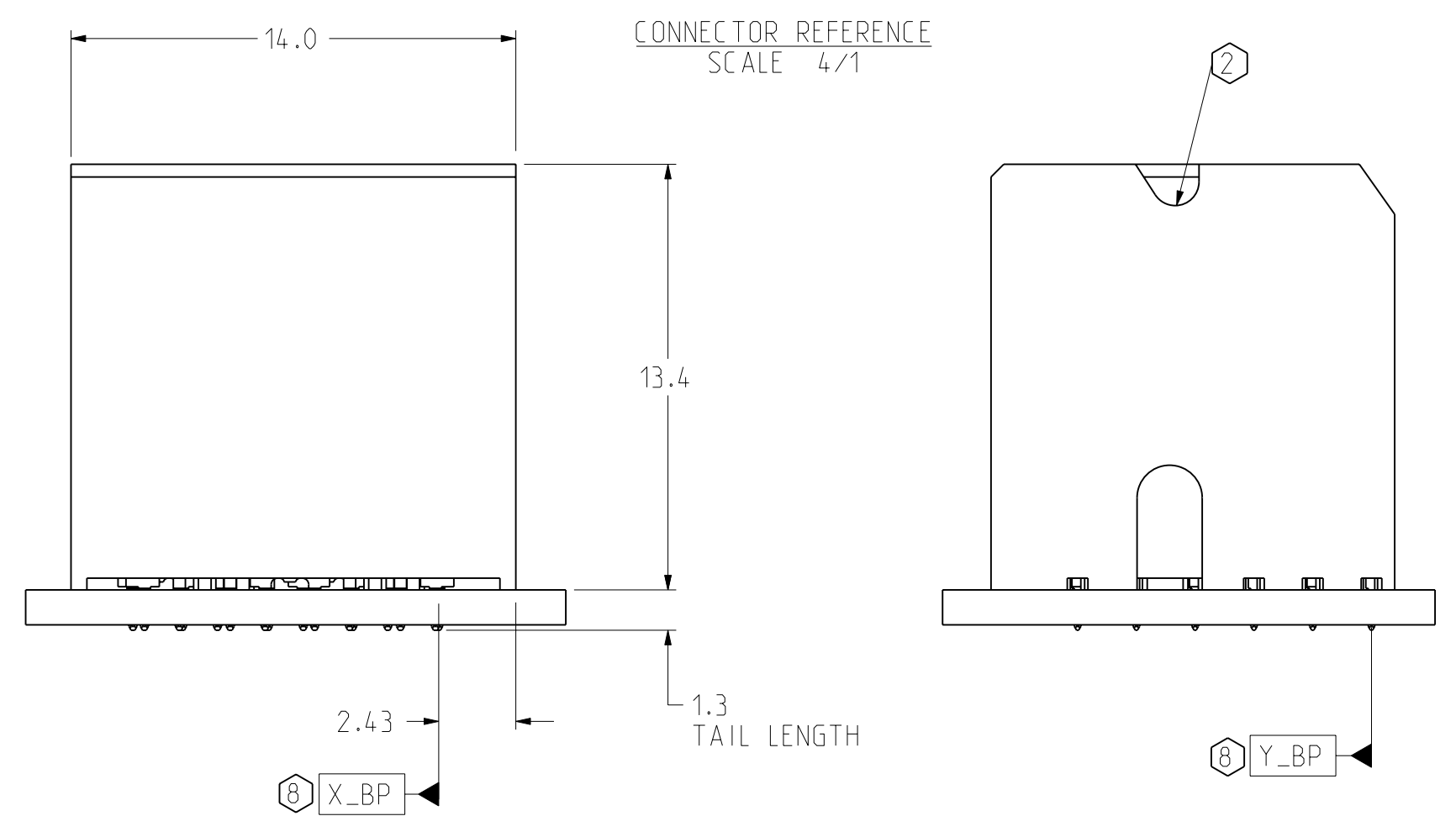
SH 5 REV A



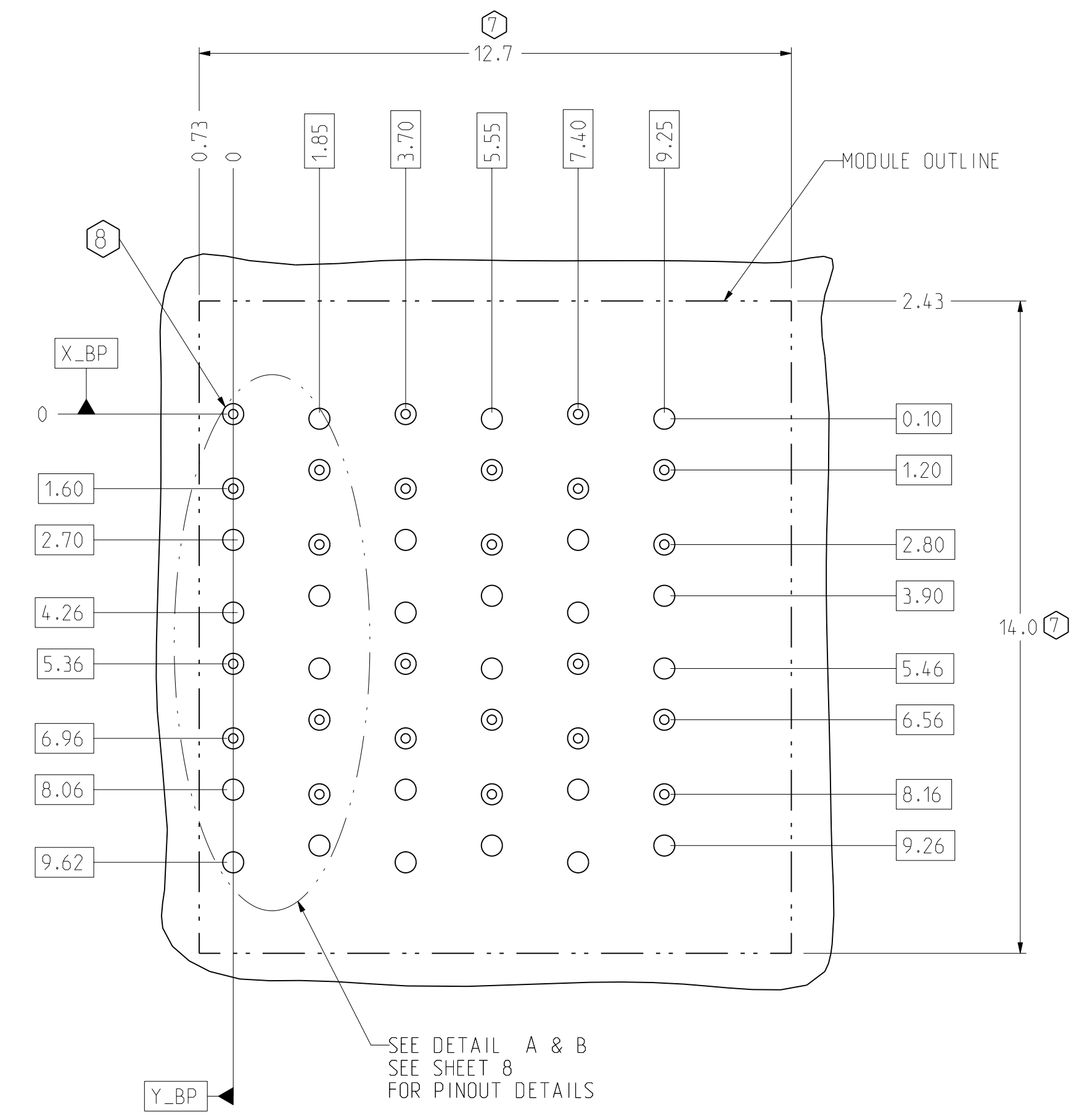
RIGHT WALL BACKPLANE MODULE DIMENSION



SECTION Z-Z



ISOMETRIC VIEW SCALE 4/1



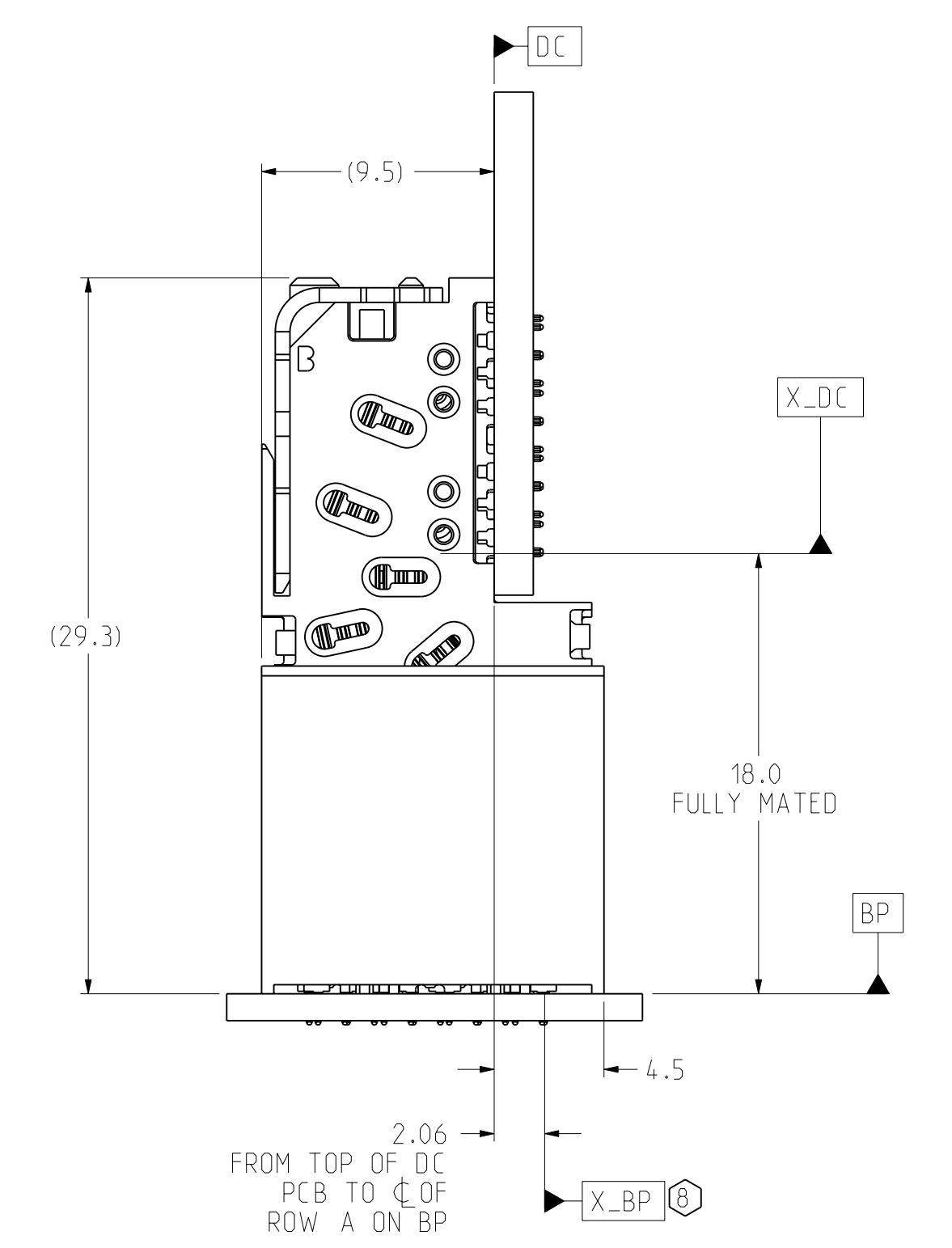
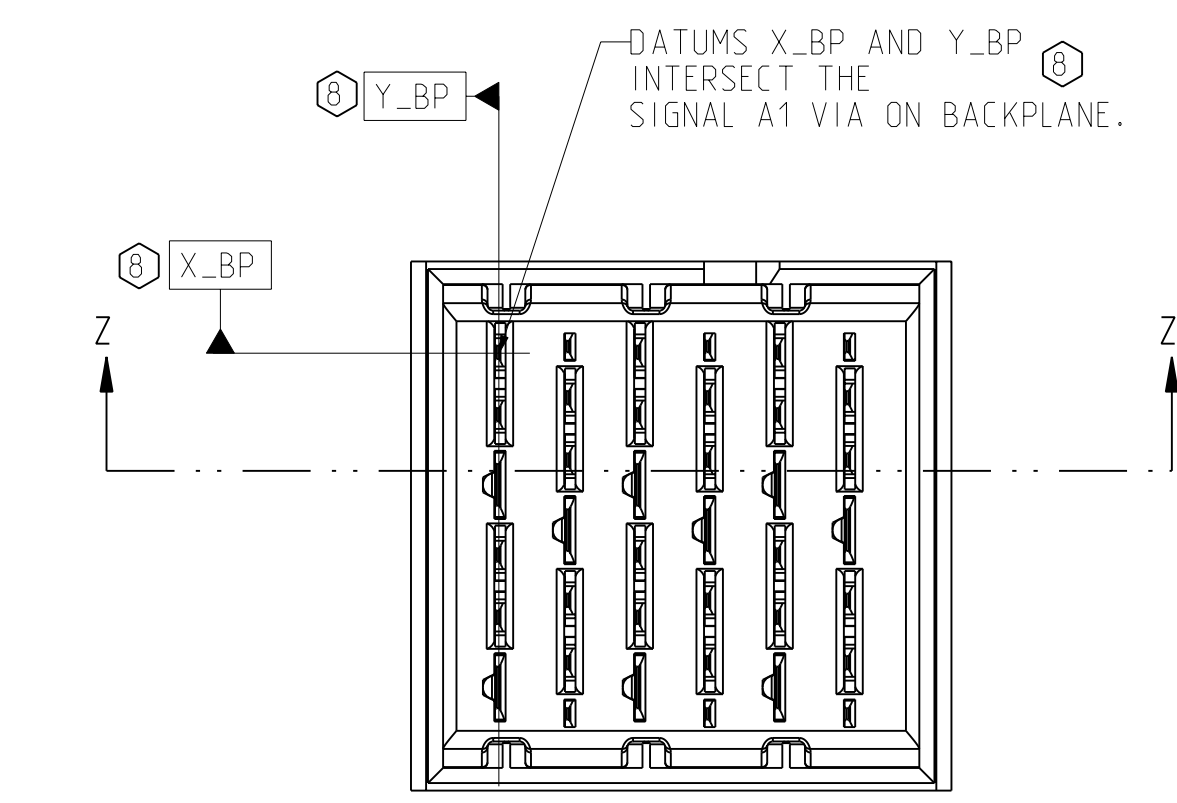
BP HOLE PATTERN COMPONENT SIDE SCALE 10/1

RIGHT WALL BACKPLANE FOOTPRINT

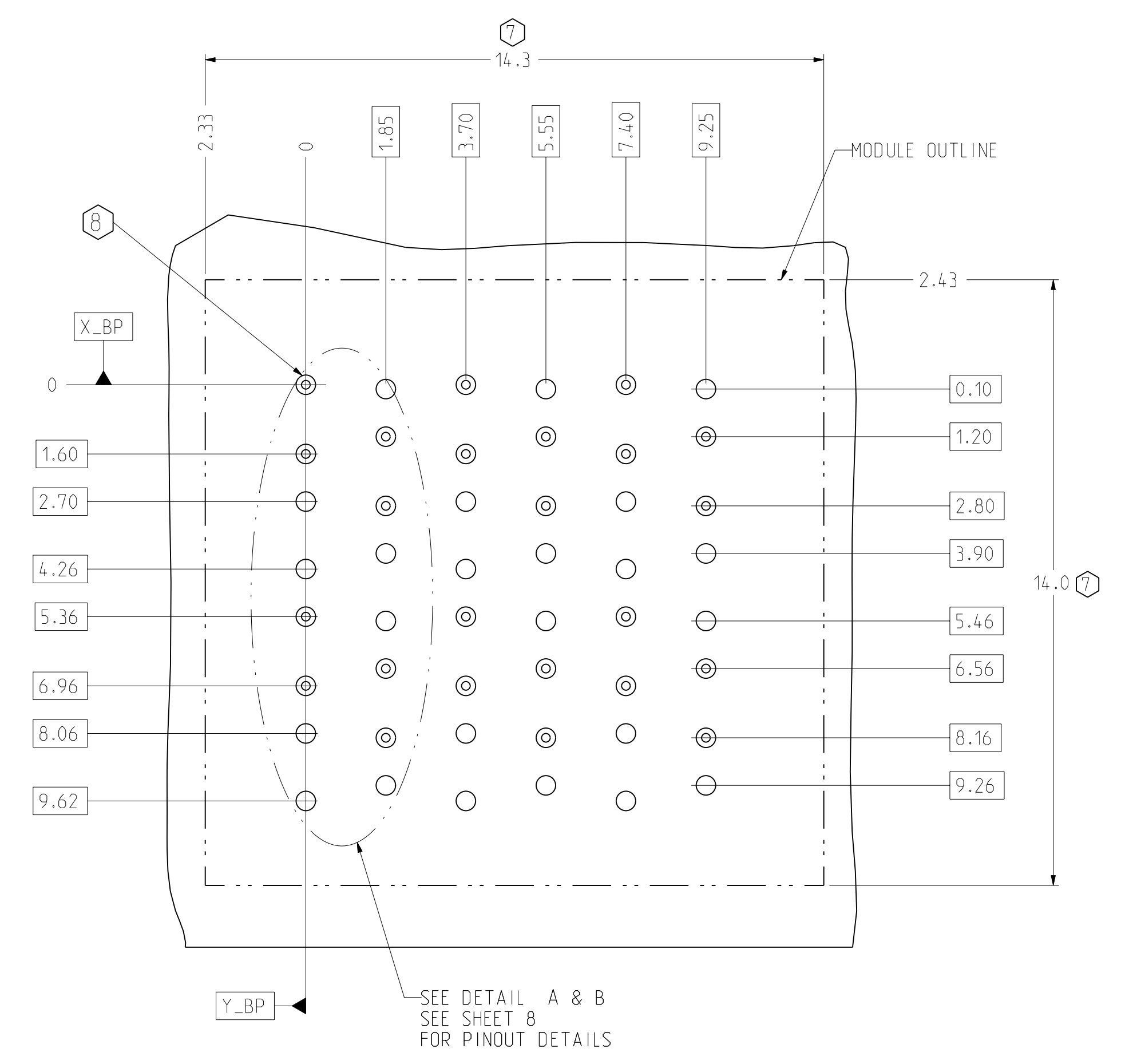
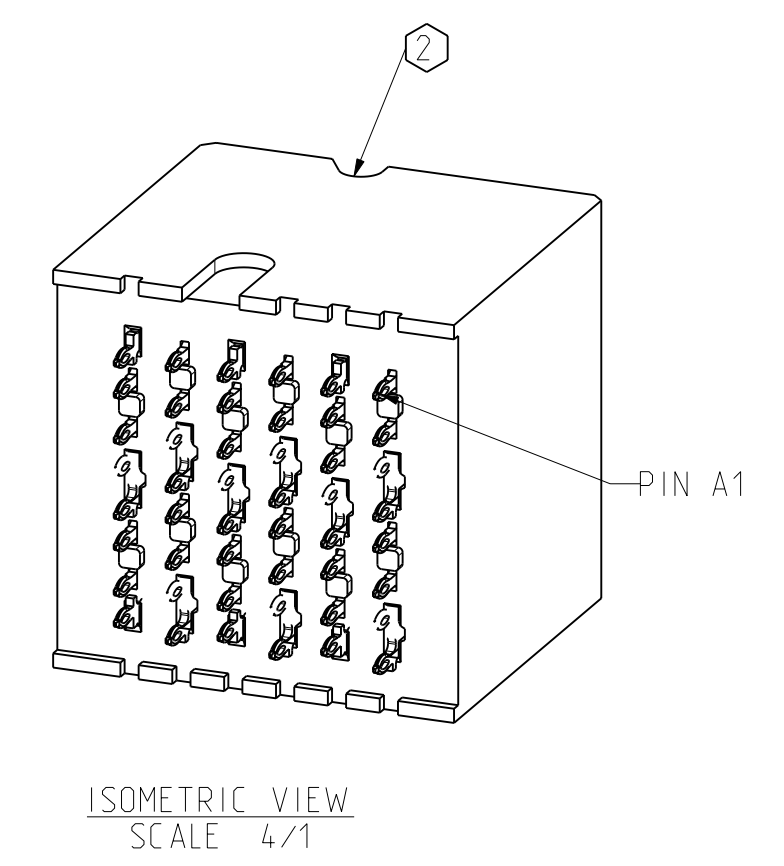
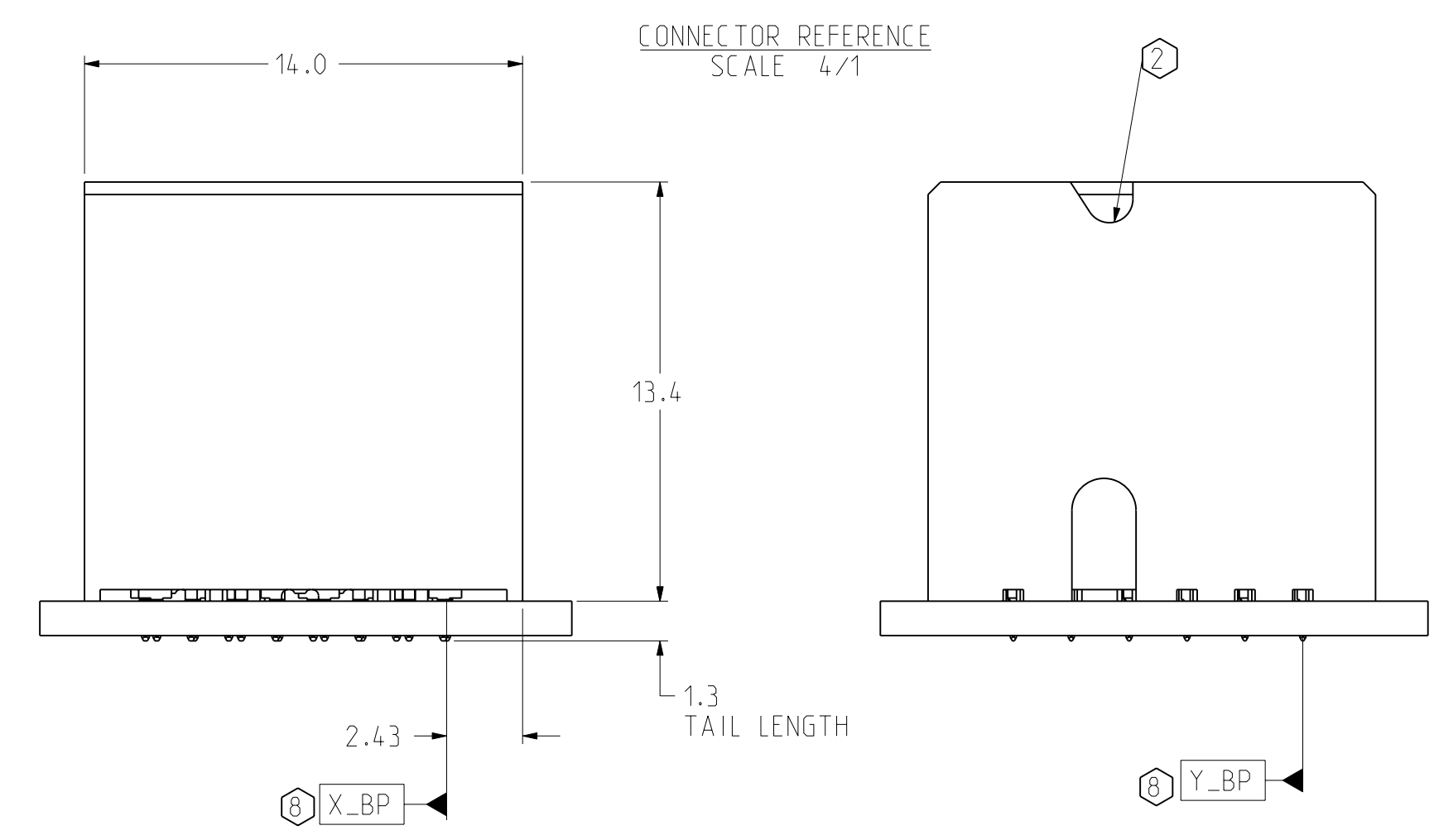
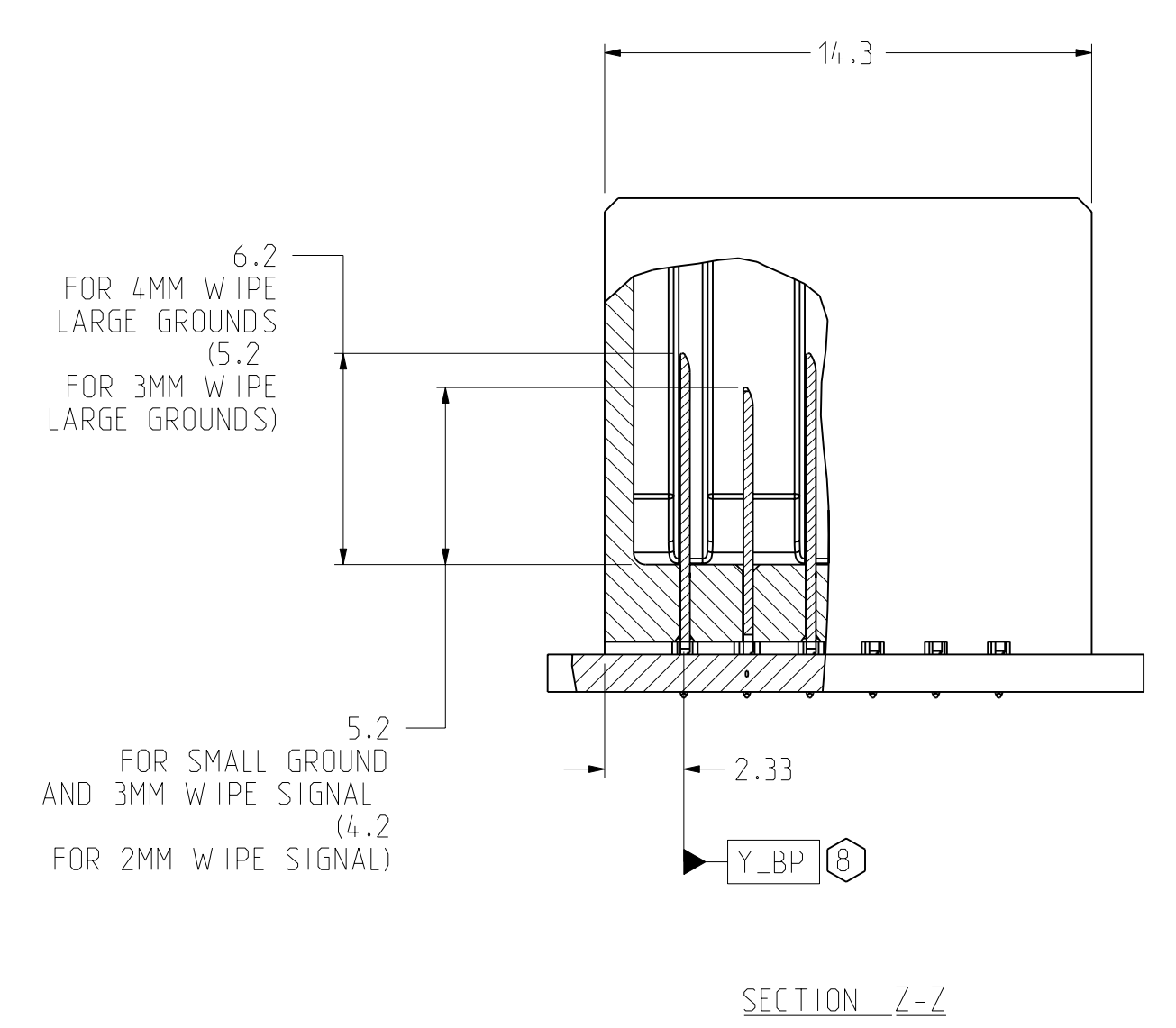
TOLERANCES		DESIGN 01/08/2009 A.ASTBURY	Amphenol TCS A Division of Amphenol Corporation 200 Innovative Way, Nashua, NH 03062 803.879.3000	TITLE BACKPLANE MODULES, VERTICAL MALE HEADER XCede. 2 PAIR 6 POSITION		
0.0	±0.25	DRAWN 10/22/2009 HCL-MH		PART NO.	SEE PN TREE SHEET 1	REV
0.00	±0.13	CHK 10/22/2009 A.ASTBURY		DRAWING NO.	C951-200C-500	REV A
0.000	± -	APVD 10/22/2009 D.SMITH		PROJ. TYPE	C951-2-BP2	3.4
ANGLES	± 3°	UNLESS OTHERWISE SPECIFIED DIMENSIONS ARE IN MM. DECIMAL MARKER IS A PERIOD.		PROJ. DRAWING	5.13	
INTERPRET PER ASME Y14.5M CODE IDENT 31413		CUSTOMER USE DRAWING		SIZE D	SHEET 6 OF 8	

DRW NO. C951-200C-500

SH 6 REV A



TWO WALL BACKPLANE MODULE DIMENSION



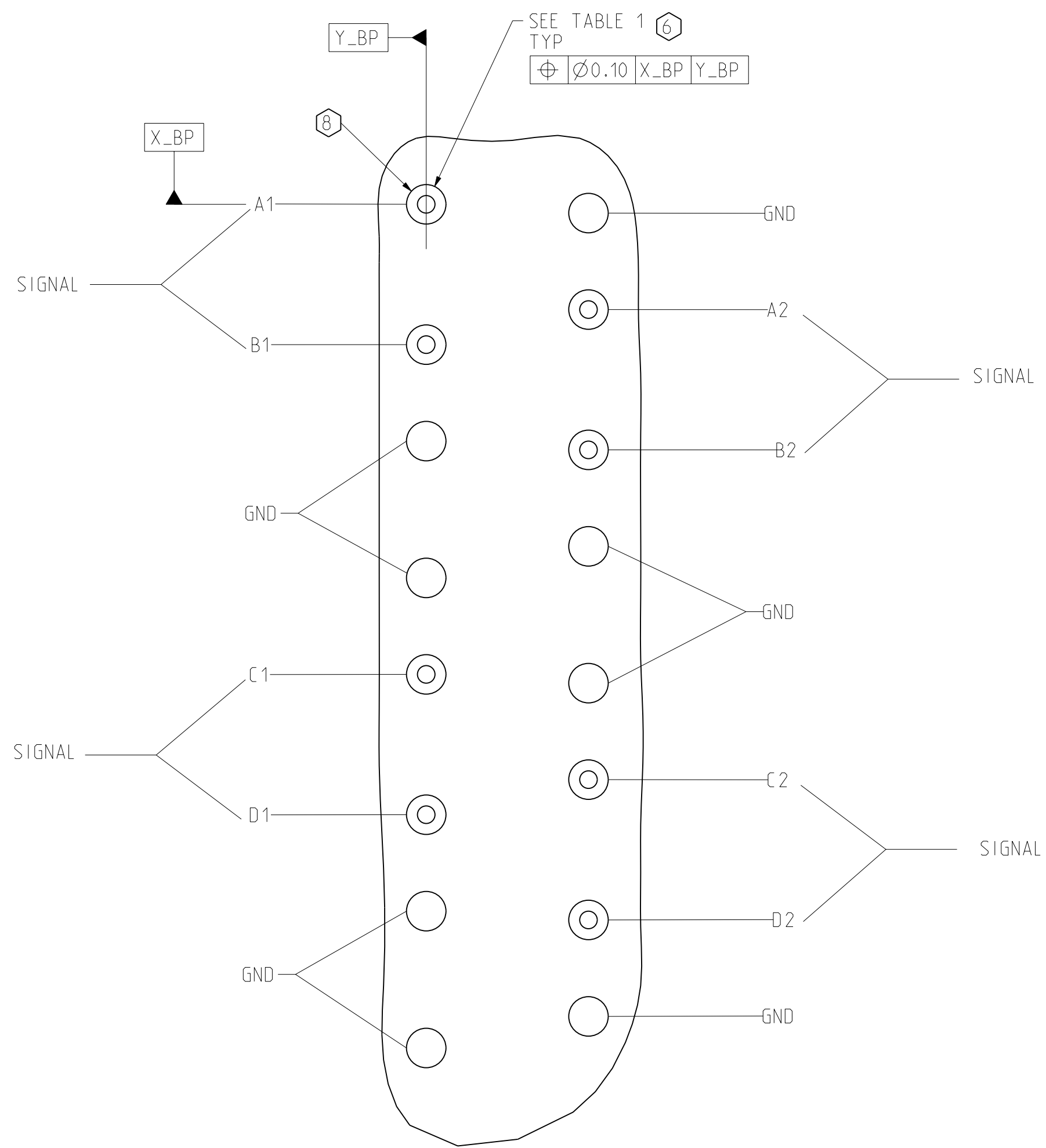
TWO WALL BACKPLANE FOOTPRINT

TOLERANCES		DESIGN 01/08/2009 A.ASTBURY	Amphenol TCS A Division of Amphenol Corporation 200 Innovative Way, Nashua, NH 03062 603.879.3000 TITLE BACKPLANE MODULES, VERTICAL MALE HEADER Xcete. 2 PAIR 6 POSITION PART NO. SEE PN TREE SHEET 1 DRAWING NO. C951-200C-500 Pro/E Type: C951-2-BP2 3.4 Pro/E DRAWING: C951-200C-500-BP2-MODULES-6WAF 5.13 SIZE D SCALE 5/1 SHEET 7 OF 8
0.0	±0.25	DRAWN 10/22/2009 HCL-MH	
0.00	±0.13	CHK 10/22/2009 A.ASTBURY	
0.000	± -	APVD 10/22/2009 D.SMITH	
ANGLES	± 3°		
UNLESS OTHERWISE SPECIFIED DIMENSIONS ARE IN MM. DECIMAL MARKER IS A PERIOD			REV A
CUSTOMER USE DRAWING			REV A

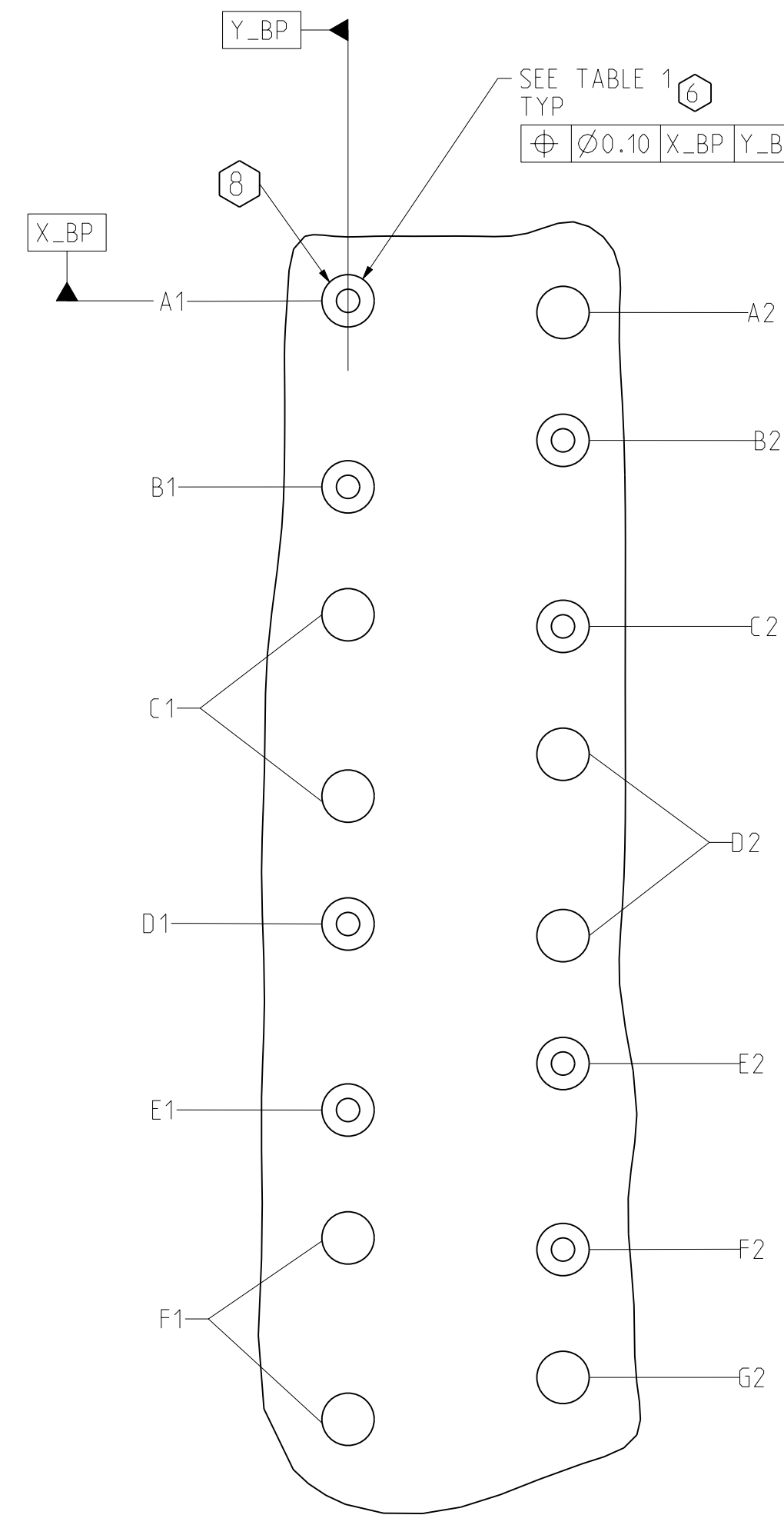
INTERPRET PER ASME Y14.5M
CODE IDENT 31413

DRW NO. C951-200C-500

SH 7 REV A



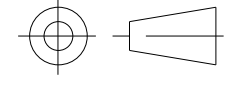
DETAIL A
HSD PINOUTS
SCALE 20/1



DETAIL B
LC PINOUTS
SCALE 20/1

TABLE 1		
	COMPLIANT PIN DRILL Ø0.0217"	COMPLIANT PIN DRILL Ø0.0177"
PTH	Ø0.45±0.05	Ø0.35±0.05
DRILL	Ø0.55 [0.0217"]	Ø0.45 [0.0177"]
PAD	Ø0.85	Ø0.75

TOLERANCES		DESIGN 01/08/2009 A.ASTBURY	Amphenol TCS A Division of Amphenol Corporation 200 Innovative Way, Nashua, NH 03062 603.879.3000	TITLE BACKPLANE MODULES, VERTICAL MALE HEADER XCede, 2 PAIR 6 POSITION		
0.0	±0.25	DRAWN 10/22/2009 HCL-MH		PART NO.	SEE PN TREE SHEET 1	REV
0.00	±0.13	CHK 10/22/2009 A.ASTBURY		DRAWING NO.	C951-200C-500	REV A
0.000	± -	APVD 10/22/2009 D.SMITH		PROJ. DRAWING	C951-200C-500-BP2-MODULES-6WAF	3.4 5.13
ANGLES ± 3°		UNLESS OTHERWISE SPECIFIED DIMENSIONS ARE IN MM. DECIMAL MARKER IS A PERIOD.		SIZE D	SCALE 4/1	SHEET 8 OF 8


 INTERPRET PER ASME Y14.5M
 CODE IDENT 31413

CUSTOMER USE
DRAWING

DRW NO. C951-200C-500

SH 8
REV A