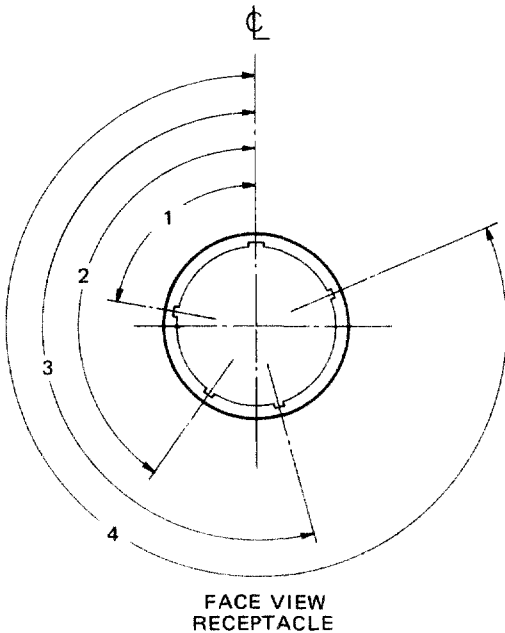
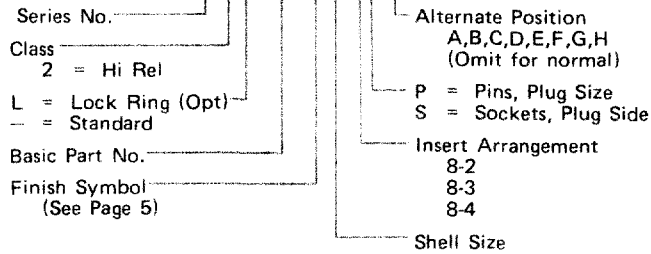


942L010M8-2PE



ALTERNATE KEYWAY POSITIONS

KEY/KEYWAY POSITION	1°	2°	3°	4°
N=NORMAL	105	140	215	265
A	105	140	215	320
B	105	140	265	320
C	105	215	265	320
D	140	215	265	320
E	40	105	140	215
F	40	105	140	265
G	40	105	215	265
H	40	140	215	265

Metric dimensions (mm) are indicated in parentheses

© 1995 Glennair, Inc.

Printed in U.S.A.