

IEC Appliance Connector C18 with Fuseholder, 70°C



Description

- Panel Mount:
Screw-on version from front or rear side, Appliance Inlet, Protection class II, Fuseholder for fuse-links 5 x 20 mm
- Solder terminals or quick connect terminals

Approvals

- UL License Number: E88880
- CSA License Number: 1084381

Characteristics

- The fuse drawer "Fingergrip" can be removed by hand
- The fuseholder is accessible from the equipment front

Weblinks

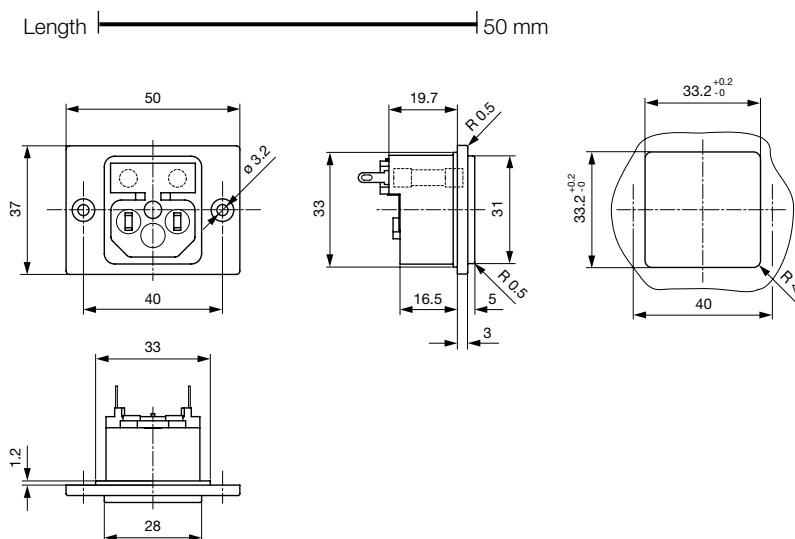
[Approvals](#), [RoHS](#), [CHINA-RoHS](#), [e-Store](#), [SCHURTER-Stock-Check](#), [Distributor-Stock-Check](#), [Product Configurator](#)

Technical Data

Ratings IEC	10A / 250VAC; 50Hz
Ratings UL/CSA	10A / 250VAC; 60Hz
Dielectric Strength	> 3kVAC between L-N > 1.5kVAC between L/N-PE (1 min/50Hz)
Allowable Operation Temp.	-25°C to 70°C
Degree of Protection	from front side IP 20 acc. to IEC 60529
Protection Class	Suitable for appliances with protection class II acc. to IEC 61140
Terminal	Solder terminals or quick connect terminals
Material: Housing	UL 94V-0

Appliance-Inlet/-Outlet	C18 acc. to IEC/EN 60320-1 UL 498, CSA C22.2 no. 42 (for cold conditions) pin-temperature 70 °C, 10A, Protection class II
Fuseholder	2-pole, acc. to IEC 60127-6, for fuse-links 5 x 20mm
Power Acceptance @ Ta > 23°C	Admissible power acceptance at higher ambient temperature see derating curves

Dimensions



length of the terminal please find at the order code configuration table

Order Code

Product Configurator

1062-B - H - A B C N - D - E G O

The characters are placeholders for the correspondingly keys of selections from the key tables.

1062-B - **H** - A B C N - D - E G O = Design

Design	Configuration key
protection class 2	B

1062-B - H - **A** B C N - D - E G O = Terminals

Terminal L	Configuration key
short solder terminal (L=4,8mm)	2
long solder terminal (L=8,5mm)	3
blade terminal (4,8x0,8mm)	8
blade terminal (6,3x0,8mm)	9
connection to fuse holder	B



1062-B - H - A **B** C N - D - E G O = Terminals

Terminal N	Configuration key
short solder terminal (L=4,8mm)	2
long solder terminal (L=8,5mm)	3
blade terminal (4,8x0,8mm)	8
blade terminal (6,3x0,8mm)	9
connection to fuse holder	B

Symbols similar as in table A

1062-B - H - A B **C** N - D - E G O = Terminals

Terminal Ground	Configuration key
without terminal	0

Symbols similar as in table A

1062-B - H - A B C **N** - D - E G O = Anschluss Sicherungshalter

Anschluss Sicherungshalter	Configuration key
solder terminal	1

1062-B - H - A B C N - **D** - E G O = Color

Color	Configuration key
jet black; RAL9005	A
silver grey; RAL7001	B
pure white; RAL9010	D
Standard color: black	

1062-B - H - A B C N - D - **E** G O = Design

Design	Configuration key
flange with countersunk holes (special type)	6
flange with through holes (special type)	7

1062-B - H - A B C N - D - E **G** O = Mass X

Dimension "X"	Configuration key
00	

The dimension "X" is displayed in ($\frac{1}{10}$ mm). This information is also valid for the order code

1062-B - H - A B C N - D - E G **O** = Ausstattung

Ausstattung	Configuration key
dead cover	1
holder for 1 or 2 fuses (text legible, when inlet on top)	4
holder for 1 or 2 fuses (text legible, when inlet on bottom)	5

Mating Outlets/Connectors

Category / Description

Connector



IEC cord connector C15, rewirable, straight	0101
IEC cord connector C15A, rewirable, straight	0102
IEC cord connector C15A, rewirable, straight	0102-G
IEC cord connector C15A, rewirable, angled	0112
IEC cord connector C13, rewirable, angled	4012
IEC cord connector C13, rewirable, angled	4013
IEC cord connector C13, rewirable, straight	4020
IEC cord connector C13, rewirable, straight	4021
IEC cord connector C13, rewirable, straight	4022
IEC cord connector C13, rewirable, angled	4300-06

...

Power Supply or Interconnection Cord



Power Cord with IEC Appliance Connector C17, angled, 70°C	0301
Power Cord with IEC Appliance Connector C13, angled, 70°C	0311
Power Cord with IEC Appliance Connector C13, angled, 70°C	3011
Power Cord with IEC Appliance Connector C13, angled, 70°C	3012
Power Cord with IEC Appliance Connector C13, angled, 70°C	3013
Power Cord with IEC Appliance Connector C13, 70°C	3020
Power Cord with IEC Appliance Connector C13, straight, 70°C	3027
Power Cord with IEC Appliance Connector C13, straight, 70°C	302U
Power Cord with IEC Appliance Connector C13, straight, 70°C	3030
Power Cord with IEC Appliance Connector C17, angled, 70°C	3113
	...