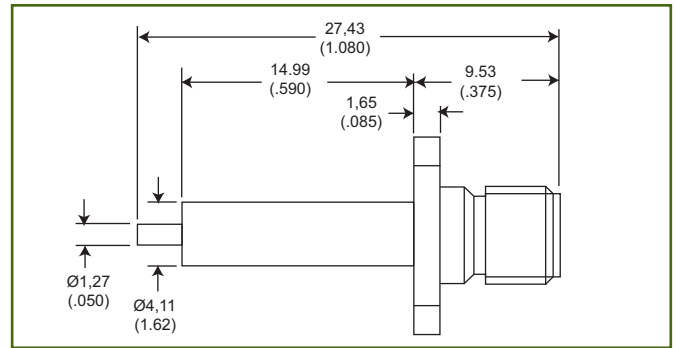


**FLANGE MOUNT RECEPTACLES**

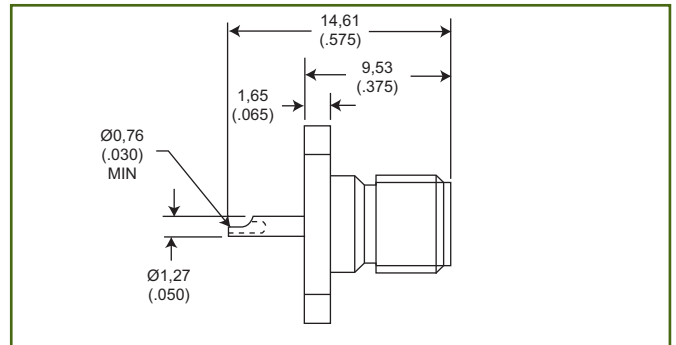
Straight Jack, Stub Contact, Extended Dielectric

Part Numbers	
Square Flange	Narrow Flange
050 - 645 - 9009890	050 - 645 - 4540890



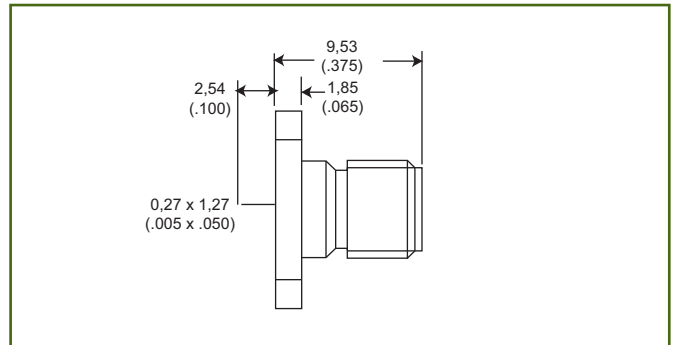
Straight Jack, Solder Pot Contact, Flush Dielectric

Part Numbers	
Square Flange	Narrow Flange
050 - 645 - 9019890	Contact Customer Service



Straight Jack, Tab Contact, Flush Dielectric

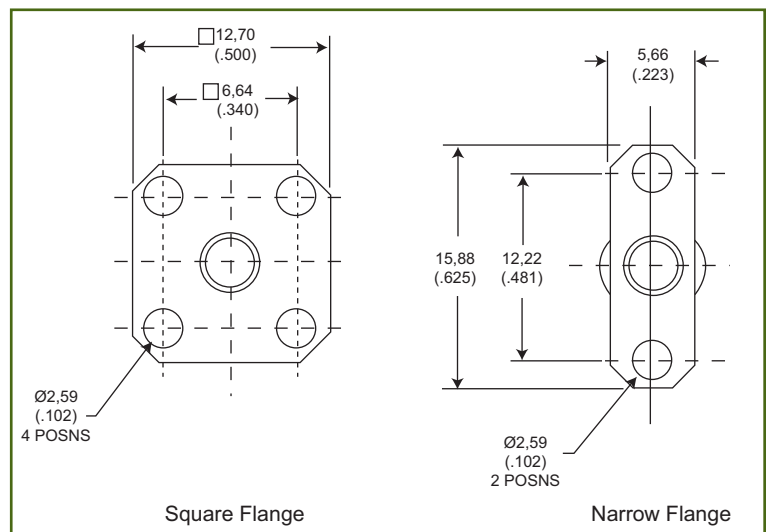
Part Numbers	
Square Flange	Narrow Flange
050 - 645 - 4575890	050 - 645 - 4528890



Flange Dimensions for Flange Mount Receptacles and Panel Jacks

ALL FLANGE MOUNT RECEPTACLES HAVE CAPTIVATED CONTACTS

The surface finish on these products is passivated stainless steel. For gold plated versions change last three digits of the the part number from 890 to 310.



Dimensions shown in mm (inch)  
Specifications and dimensions subject to change

www.ittcannon.com