

PLEASE CHECK WWW.MOLEX.COM FOR LATEST PART INFORMATION

Part Number: [0351500204](#)

Status: **Active**

Overview:

Description: 6.20mm (.244") Pitch Wire-to-Wire VersaBlade™ Hybrid Plug Housing, without Mounting Ears, 2 Circuits, Polyester UL94V-0, Blue

Documents:

[Drawing \(PDF\)](#)

[RoHS Certificate of Compliance \(PDF\)](#)

General

Product Family	Crimp Housings
Series	35150
Comments	Polarized to Mating Part, Positive Lock
Overview	VersaBlade™#153;
Product Name	VersaBlade™

Physical

Circuits (maximum)	2
Color - Resin	Blue
Flammability	94V-0
Gender	Male
Glow-Wire Compliant	No
Keying to Mating Part	None
Lock to Mating Part	Yes
Material - Resin	Polyester
Number of Rows	1
Packaging Type	Bag
Panel Mount	No
Pitch - Mating Interface (in)	0.244 In
Pitch - Mating Interface (mm)	6.20 mm
Polarized to Mating Part	Yes
Stackable	No
Temperature Range - Operating	-30°C to +105°C

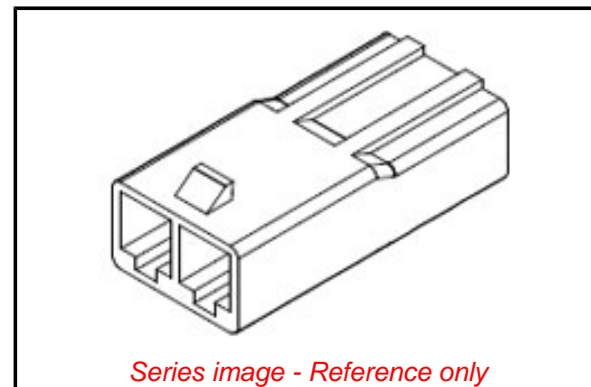
Electrical

CSA	LR19980
TUV	R72090206
UL	E29179

Material Info

Reference - Drawing Numbers

Sales Drawing	SD-35150-020*
---------------	---------------



Series image - Reference only

EU RoHS

**ELV and RoHS
Compliant**
**REACH SVHC
Contains SVHC: No
Halogen-Free
Status**

China RoHS



**Need more information on product
environmental compliance?**

Email productcompliance@molex.com
Please visit the [Contact Us](#) section for any
non-product compliance questions.

Search Parts in this Series

35150 Series

Mates With

35151-021* Receptacle Housing

Use With

357450*10 VersaBlade™ Crimp Terminals