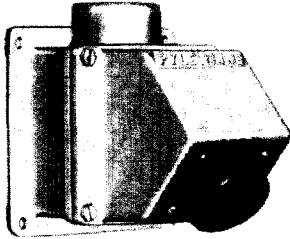


RECEPTACLE MOUNTED TO JUNCTION BOX

with angle adapter

To specify a complete receptacle, substitute the Dash No. of the contact insert selected, for the Asterisk (*) in the Catalog No. below.

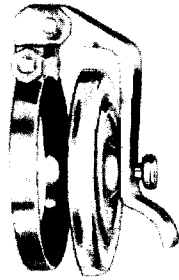


Types
ZRLBB
ZRCBB
ZREBB

Shell Size	Hub Size†	Cat. No.	DIMENSIONS								
			A	B	C	D	E	F	G	H	
12	3/4	ZRLBB-2 12-*	5 1/4	4 5/8	4 3/16	3 3/16	2 3/8	2 1 3/16	2 7/16	9/32	
	1	ZRLBB-3 12-*	5 1/4	4 5/8	4 3/16	3 3/16	2 3/8	2 1 3/16	2 7/16	9/32	
16	1	ZRLBB-3 16-*	5 1/4	4 5/8	4 3/16	3 3/16	2 3/8	2 1 3/16	2 1 3/32	9/32	
	1 1/2	ZRLBB-4 16-*	5 1/4	4 5/8	4 3/16	3 3/16	2 3/8	2 1 3/16	2 1 3/32	9/32	
	2	ZRLBB-5 16-*									
20	1 1/4	ZRLBB-4 20-*	6	5 1/4	4 1/2	3 7/8	3 3/4	3 3 3/4	3	9/32	
	1 1/2	ZRLBB-5 20-*	6	5 1/4	4 1/2	3 7/8	3 3/4	3 3 3/4	3	9/32	
	2	ZRLBB-6 20-*	6	5 1/4	4 1/2	3 7/8	3 3/4	3 3 3/4	3	9/32	
C20	1 1/4	ZRLBB-4 C20-*	6	5 1/4	4 1/2	3 7/8	3 3/4	3 3 3/4	3 3/8	9/32	
	1 1/2	ZRLBB-5 C20-*	6	5 1/4	4 1/2	3 7/8	3 3/4	3 3 3/4	3 3/8	9/32	
	2	ZRLBB-6 C20-*	6	5 1/4	4 1/2	3 7/8	3 3/4	3 3 3/4	3 3/8	9/32	
24	2 1/2	ZRLBB-7 24-*	SEE DRAWING BELOW			8	7	3 3/4	3 3 3/4	2 1 3/4	7/16
	3	ZRLBB-8 24-*				8	7	4 1/2	3 3 3/4	2 1 3/4	7/16
C24	2 1/2	ZRLBB-7 C24-*				8	7	3 3/4	3 3 3/4	2 2 1/32	7/16
	3	ZRLBB-8 C24-*				8	7	4 1/2	3 3 3/4	2 2 1/32	7/16
28	2 1/2	ZRLBB-7 28*				8	7	3 3/4	3 1/2	2 7/16	7/16
	3	ZRLBB-8 28*				8	7	4 1/2	3 1/2	2 7/16	7/16
C28	2 1/2	ZRLBB-7 C28-*			8	7	3 3/4	3 1/2	2 1 3/32	7/16	
	3	ZRLBB-8 C28-*			8	7	4 1/2	3 1/2	2 1 3/32	7/16	

†Other Hub Sizes also available.

To specify receptacle with spring door cover change third letter in part number from "L" to "C".
Example: ZRLBB changes to ZRCBB.

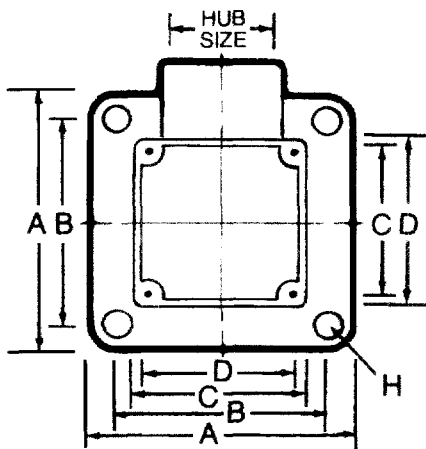


Hinged Spring Door

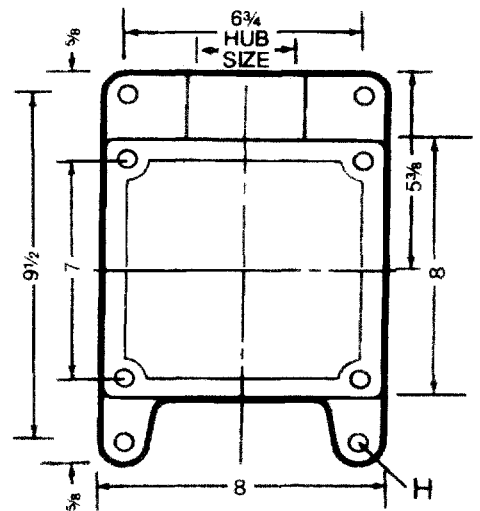
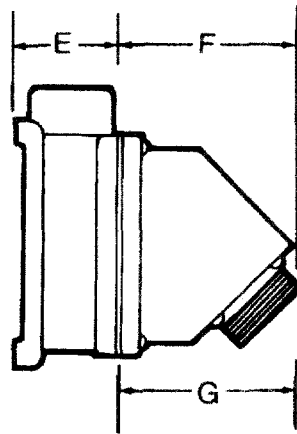
To specify receptacle with threaded environmental cover change third letter in part number from "L" to "E".
Example: ZRLBB changes to ZREBB.



Threaded Environmental Cover with Sash Chain



SHELL SIZES 12-16-20-C20



SHELL SIZES 24-C24-28-C28