

# PLANAR SPLITTERS FROM GOULD FIBER OPTICS



Gould's high reliability and superior performance Planar Splitters are the component choice to combine or split optical power in optical fiber networks and systems. They are designed to meet the technical requirements of a broad range of applications at a competitive price/performance ratio.

Both 1xN & 2XN Planar Splitters come in three class grades:

- **A-Grade** (best grade) planar splitters feature ultra-low Insertion Loss and superior Uniformity<sup>(1)</sup> to fit and function in very demanding systems or networks.
- **S- Grade** (standard grade) planar splitters yield excellent overall performance.
- **U- Grade** (ultra-broadband grade) planar splitters offer best-in-class performances in a wider operating wavelength range (1260 to 1650nm).

**Planar Splitters** can be purchased with different pig tailing and/or packaging configurations in order to respond to all types of applications. They are extremely easy to handle and integrate into conventional cassettes, splicing enclosures and rack mounted modules, such as LGX™. A wide selection of connectors is available as an option.

(1) Valid under any combination of polarization, environmental and mechanical configuration.

## Key Strengths

- Very low Insertion Loss
- Superior Uniformity
- Low Back Reflection
- Ultra Low PDL
- Highly reliable and
- Compact packaging
- Extended bandwidth up to 1650 nm (E-band included)



# PLANAR SPLITTERS FROM GOULD FIBER OPTICS



## Performance of packaged 1XN splitters.

A- grade											
Optical data	1x3	1x4	1x5	1x6	1x8	1x10	1x12	1x16	1x24	1x32	1x64
Wavelength	1260-1360 / 1480-1580 nm										
Max. Insertion Loss <sub>(1,2)</sub> (dB)	6	7.3	8.3	9.1	10.5	11.6	12.4	13.8	15.5	17.1	20.5
Uniformity <sub>(1,2)</sub> (dB)	0.4	0.5	0.6	0.7	0.8	0.9	1	1	1.2	1.3	2
S- grade											
Optical data	1x3	1x4	1x5	1x6	1x8	1x10	1x12	1x16	1x24	1x32	1x64
Wavelength	1260-1360 / 1480-1580 nm										
Max. Insertion Loss <sub>(1,2)</sub> (dB)	6.4	7.5	8.5	9.4	10.9	11.9	12.9	14	15.9	17.5	21
Uniformity <sub>(1,2)</sub> (dB)	0.6	0.6	0.8	0.8	1	1	1.1	1.1	1.5	1.5	2.5
U- grade											
Optical data	1x3	1x4	1x5	1x6	1x8	1x10	1x12	1x16	1x24	1x32	1x64
Wavelength	1260-1650 nm										
Max. Insertion Loss <sub>(1,2)</sub> (dB)	6.9	8	8.9	9.8	11.4	12.4	13.4	14.5	16.4	18.5	22
Uniformity <sub>(1,2)</sub> (dB)	Pr0.8	0.8	Pr1	1	1.2	Pr1.2	1.4	1.4	Pr1.7	1.7	Pr3
COMMON SPECIFICATIONS											
PDL <sub>(2)</sub> (dB)	< 0.2dB										
Return Loss <sub>(2)</sub> (dB)	> 55dB										
Directivity <sub>(2)</sub> (dB)	> 55dB										
Fiber type	SMF										
Input/output fiber length	2.5m +/- 0.5m										
Operating temperature <sub>(3)</sub>	-40°C to +85°C										
Storage temperature	-40°C to +85°C										
Packaging dimensions	67 x 7.5 x 5.6 mm					70 x 13 x 5.6 mm					
	70 x 13 x 5.6 mm										

(1) Data valid under any combination of polarization, environmental and mechanical conditions.

(2) Without connectors.

(3) 900µm tubing pigtailling option has an operating temperature range from -25°C to +70°C.

## Performance of packaged 2XN splitters.

A- grade				
Optical data	2x4	2x8	2x16	2x32
Wavelength	1260-1360 / 1480-1580 nm			
Max. Insertion Loss <sub>(1,2)</sub> (dB)	7.6	11	14.6	17.8
Uniformity <sub>(1,2)</sub> (dB)	1.4	1.6	2.4	3
S- grade				
Optical data	2x4	2x8	2x16	2x32
Wavelength	1260-1360 / 1480-1580 nm			
Max. Insertion Loss <sub>(1,2)</sub> (dB)	7.8	11.2	14.8	18
Uniformity <sub>(1,2)</sub> (dB)	1.5	1.8	2.6	3.3
U- grade				
Optical data	2x4	2x8	2x16	2x32
Wavelength	1260-1650 nm			
Max. Insertion Loss <sub>(1,2)</sub> (dB)	8.5	11.9	15.5	19
Uniformity <sub>(1,2)</sub> (dB)	1.9	2.2	3	3.6

Tel: 410.987.5600, FAX: 410.987.1201, EMAIL: [info@gouldfo.com](mailto:info@gouldfo.com)

WEB: [www.gouldfo.com](http://www.gouldfo.com)

# PLANAR SPLITTERS FROM GOULD FIBER OPTICS



COMMON SPECIFICATIONS		
PDL <sub>(2)</sub> (dB)	< 0.2	
Return Loss <sub>(2)</sub> (dB)	> 55	
Directivity <sub>(2)</sub> (dB)	> 55	
Fiber type	SMF	
Input/output fiber length	2.5 m +/- 0.5 m	
Operating temperature <sub>(3)</sub>	-40°C to +85°C	
Storage temperature		
Packaging dimensions	67x7.5x5.6mm	70x13x5.6mm
	70x13x5.6mm	

- (1) Data valid under any combination of polarization, environmental and mechanical conditions.  
 (2) Without connectors.  
 (3) 900µm tubing pigtailling option has an operating temperature range from -25°C to +70°C.

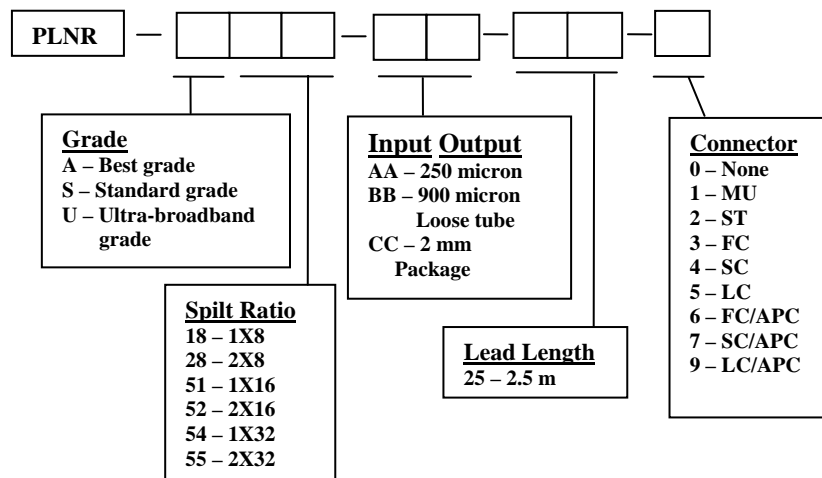
## Applications

- PON - FTTx networks
- Outside Plant equipments
- OADM and ROADM
- CATV
- DWDM and CWDM systems
- Sensors
- Instrumentation

## Environmental Testing

Components are designed in full compliance with **Telcordia GR1209** and **GR1221**.

## Ordering Information:



For custom options and additional information, please contact us.

Tel: 410.987.5600, FAX: 410.987.1201, EMAIL: [info@gouldfo.com](mailto:info@gouldfo.com)  
 WEB: [www.gouldfo.com](http://www.gouldfo.com)