

NOTES:

- SWITCH POSITION MARKING IS RELATIVE TO LEVER POSITION.
- DIRECTION OF MOVEMENT OF INTERNAL MECHANISM IS OPPOSITE TO THE DIRECTION OF THE TOGGLE MOVEMENT.
- NON-FUNCTIONAL TERMINALS SHALL NOT BE SUPPLIED. FOR TE-1121 TERMINALS 1 AND 4 ARE CUT OFF FLUSH TO .025 BEYOND THE BASE.
- THIS PART/PRODUCT IS TO BE MANUFACTURED WITH THE APPLICABLE REGULATIONS OF EC DIRECTIVES 2002/95/EC AND 2002/96/EC, RESTRICTION OF THE USE OF HAZARDOUS SUBSTANCES IN ELECTRICAL AND ELECTRONIC EQUIPMENT (ROHS) AND WASTE ELECTRICAL AND ELECTRONIC EQUIPMENT (WEEE).

TE-TOGGLE: PER MIL-DTL-8834 MS90311-(SEE TABLE)

SWITCH CHARACTERISTICS

ELECTRICAL:

	28 VDC	115 VAC AT 60 HERTZ	115 VAC AT 400 HERTZ	LOW LEVEL 5 mV
RESISTIVE	5 AMPS	2 AMPS	3 AMPS	25 μAMPS
INDUCTIVE	1 AMP	1 AMP	2 AMPS	25 μAMPS

ELECTRICAL LIFE: 20,000 CYCLES

MECHANICAL:

MECHANICAL LIFE: 40,000 CYCLES  
 TESTED AT: -55°C FOR 20,000 CYCLES  
 +71°C FOR 20,000 CYCLES  
 TEMPERATURE RANGE: -55°C TO 71°C

PHYSICAL:

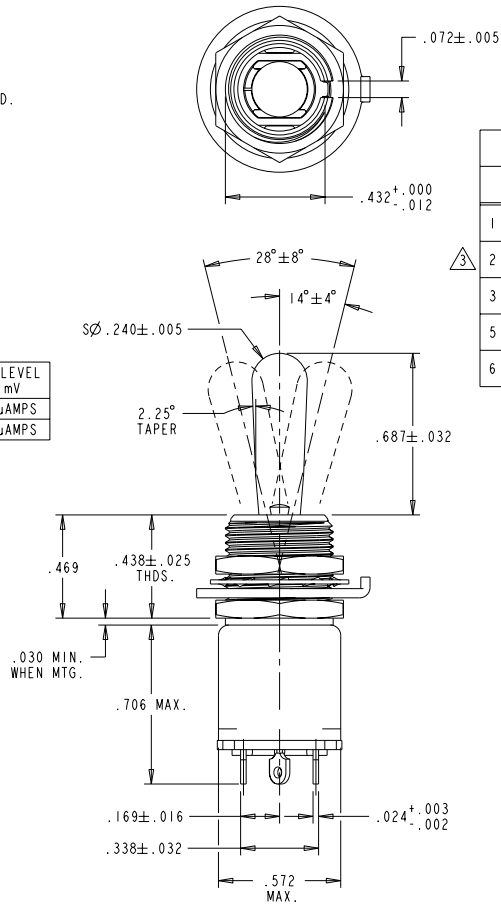
HANDLE: STAINLESS STEEL WITH LUSTERLESS FINISH  
 BUSHING: ALUMINUM ALLOY  
 COVER: STAINLESS STEEL

MARKING:

SWITCH POSITION (ON-OFF, SEE CHART)  
 TE-112-- (SEE CHART)  
 MS90311-- (SEE CHART)  
 DATE CODE (YYWW)

HARDWARE:

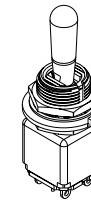
(2) HEXNUTS, (1) LOCKWASHER AND (1) KEYWAY WASHER ALL IN ACCORDANCE WITH MIL-DTL-8834



TE-112

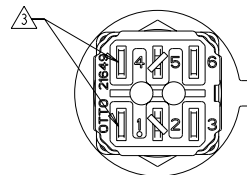
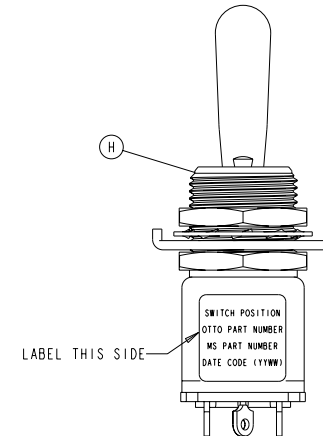
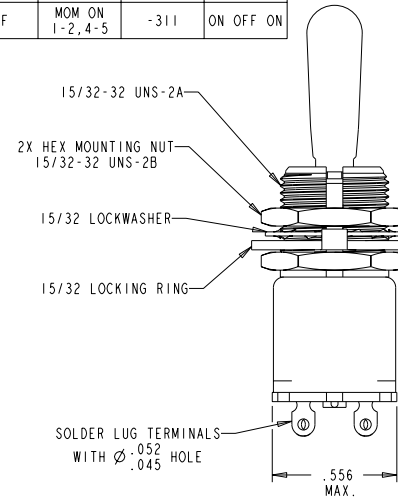
CIRCUITS MADE WITH HANDLE IN THESE POSITIONS:	MS DASH NUMBER		SWITCH POSITION MARKING
	OPPOSITE KEYWAY	CENTER KEYWAY	
1	ON 2-3,5-6	OFF 1-2,4-5	-211 ON OFF ON
2	ON 2-3,5-6	NONE OFF	-221 OFF ON
3	ON 2-3,5-6	NONE ON	-231 ON ON
5	MOM ON 2-3,5-6	OFF 1-2,4-5	-271 ON OFF ON
6	ON 2-3,5-6	OFF 1-2,4-5	-311 ON OFF ON

CONTACT MATERIAL	
I	SILVER / GOLD PLATED



SCALE 1:1

TE-112--			
REV	OCN #	DATE	APR
A	028951	20 SEP 05	KI
B	029489	01 NOV 05	KI
C	036865	13 APR 07	RWB
D	039830	24 OCT 07	RKK
E	040262	16 NOV 07	RKK
F	040489	05 DEC 07	RKK
G	041974	11 MAR 08	RKK
H	042100	18 MAR 08	RKK



MANUFACTURING  
 SPC

UNLESS OTHERWISE SPECIFIED: DIMENSIONS ARE IN INCHES. TOLERANCES: .XX ±.03 .XXX ±.010 ANGLES ±2° DO NOT SCALE

**OTTO**  
 CARPENTERSVILLE, ILLINOIS USA

THIS DOCUMENT IS THE CONFIDENTIAL PROPERTY OF OTTO ENGINEERING, INC.. IT IS NOT TO BE USED IN ANY WAY DETRIMENTAL TO THE INTERESTS OF OTTO ENGINEERING, INC..

DESCRIPTION			
TE, TOGGLE, POSITIVE ACTION, 15/32-32, DOUBLE POLE			
DRWN. BDS	SIZE	FSCM NO	DRAWING NO.
CHKD. RWB	B	21649	TE-112--
APPD. AH	WT.	THIRD ANGLE PROJECTION	Scale 2:1 Sheet 1 OF 1

REV. H