

# PULSEJACK™

## 1xN GangjackL



### Description:

10/100 Base-TX RJ45 1xN Tab-DOWN with or without LEDs integrated magnetics connector (ICM) designed to support applications such as: SOHO (ADSL modems), LAN-on-Motherboard (LOM), Hub and Switches.

[www.pulseeng.com](http://www.pulseeng.com)



### Features and Benefits:

- ⚡ RoHS peak wave solder temperature rating 260°C
- ⚡ RJ45 1xN, Tab-DOWN 8-pin with internal magnetics
- ⚡ Suitable for CAT 5 and 6 Fast Ethernet cable or better UTP
- ⚡ Internal magnetics: 100% electrically tested for Hipot and functionality

### Electrical Performance Summary:

- ⚡ Meets IEEE 802.3 specification
- ⚡ 350  $\mu$ H minimum OCL with 8mA bias current
- ⚡ High performance for maximum EMI suppression

### Electrical Specifications @ 25°C — Operating Temperature 0°C to +70°C

RoHS Compliant Part Number	Turns Ratio		Tab	LEDs <sup>1</sup> L/R	Insertion Loss TX/RX (dB TYP)	ReturnLoss (dB TYP) 100 $\Omega$ ( $\pm$ 15 $\Omega$ )				Crosstalk (dB TYP)			Common Mode Rejection (dB TYP)		Hipot (Vrms MIN) @ 60 Hz 1 minute
	TX	RX				1-100 MHz	1-10 MHz	30 MHz	60-80 MHz	1-10 MHz	30-60 MHz	60-100 MHz	1-50 MHz	50-130 MHz	
J8064D628ANL (1x2)	1CT:1CT	1CT:1CT	DOWN	G/Y	-1.0	-20	-16	-12	-40	-35	-30	-30	-20	1500	
JX80-0019NL <sup>2</sup> (1x2)	1CT:1CT	1CT:1CT	DOWN	G/Y	-1.0	-20	-16	-12	-40	-35	-30	-30	-20	1500	
J8064D648ANL (1x4)	1CT:1CT	1CT:1CT	DOWN	G/Y	-1.0	-20	-16	-12	-40	-35	-30	-30	-20	1500	
JX80-0022NL <sup>2</sup> (1x4)	1CT:1CT	1CT:1CT	DOWN	G/G	-1.0	-20	-16	-12	-40	-35	-30	-30	-20	1500	
J8064D668ANL (1x6)	1CT:1CT	1CT:1CT	DOWN	G/Y	-1.0	-20	-16	-12	-40	-35	-30	-30	-20	1500	
JX8064D668ANL <sup>2</sup> (1x6)	1CT:1CT	1CT:1CT	DOWN	G/Y	-1.0	-20	-16	-12	-40	-35	-30	-30	-20	1500	
J8064D688ANL (1x8)	1CT:1CT	1CT:1CT	DOWN	G/Y	-1.0	-20	-16	-12	-40	-35	-30	-30	-20	1500	
JX8064D688ANL <sup>2</sup> (1x8)	1CT:1CT	1CT:1CT	DOWN	G/Y	-1.0	-20	-16	-12	-40	-35	-30	-30	-20	1500	
J8064E62NL (1x2)	1CT:1CT	1CT:1CT	DOWN	—	-1.0	-20	-16	-12	-40	-35	-30	-30	-20	1500	
J8064E64NL (1x4)	1CT:1CT	1CT:1CT	DOWN	—	-1.0	-20	-16	-12	-40	-35	-30	-30w	-20	1500	
J8064E66NL (1x6)	1CT:1CT	1CT:1CT	DOWN	—	-1.0	-20	-16	-12	-40	-35	-30	-30	-20	1500	
J8064E68NL (1x8)	1CT:1CT	1CT:1CT	DOWN	—	-1.0	-20	-16	-12	-40	-35	-30	-30	-20	1500	

NOTES: 1. LEDs Left/Right: G = green; Y = yellow; "—" = none. Other LED options by request.

2. Operating temperature: -45°C to +85°C

### RJ45 Durability Testing Rating

Part Number	Mating Force (MAX)	Unmating Force (MAX)	Durability	Plug to Jack Retention (MIN)
J8 Series	5lbs./2.268kgs.	5lbs./2.268kgs.	750 Insertions	20lbs./9.072kgs.

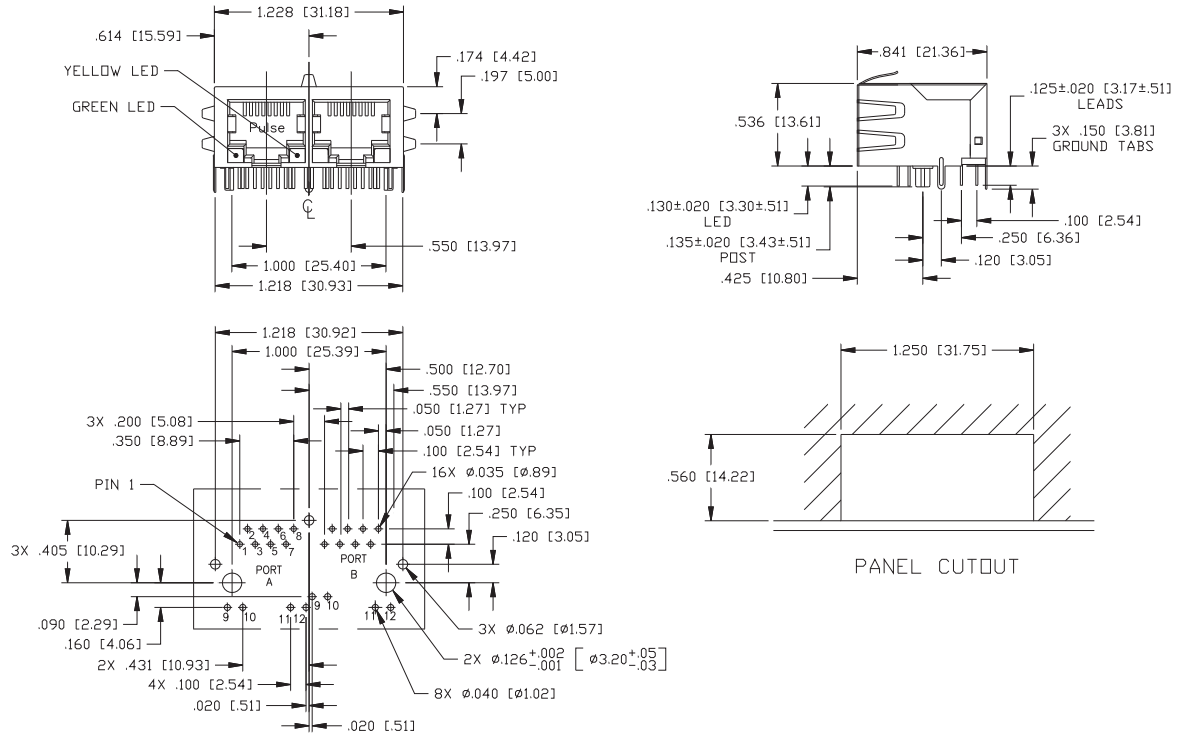
### RJ45 Material Specification

RoHS Compliant Part Number	Shield		Contact			Housing		
	Material	Finish	Material	Plating Area	Solder Area	Material	Specification	MSL <sup>2</sup>
J8 Series	Brass	10-20 $\mu$ inches thick nickel over 10-20 $\mu$ inches thick nickel	Phosphor Bronze	30 $\mu$ inches gold over 30-80 $\mu$ inches nickel	Tin Matte Finish	Thermoplastic	UL 94 V-0	1

Notes: 1. Connector dimensions comply with FCC dimension requirements. 2. MSL = Moisture Sensitivity Level rating from 1 to 5 (highest rating = 1, lowest rating = 5).

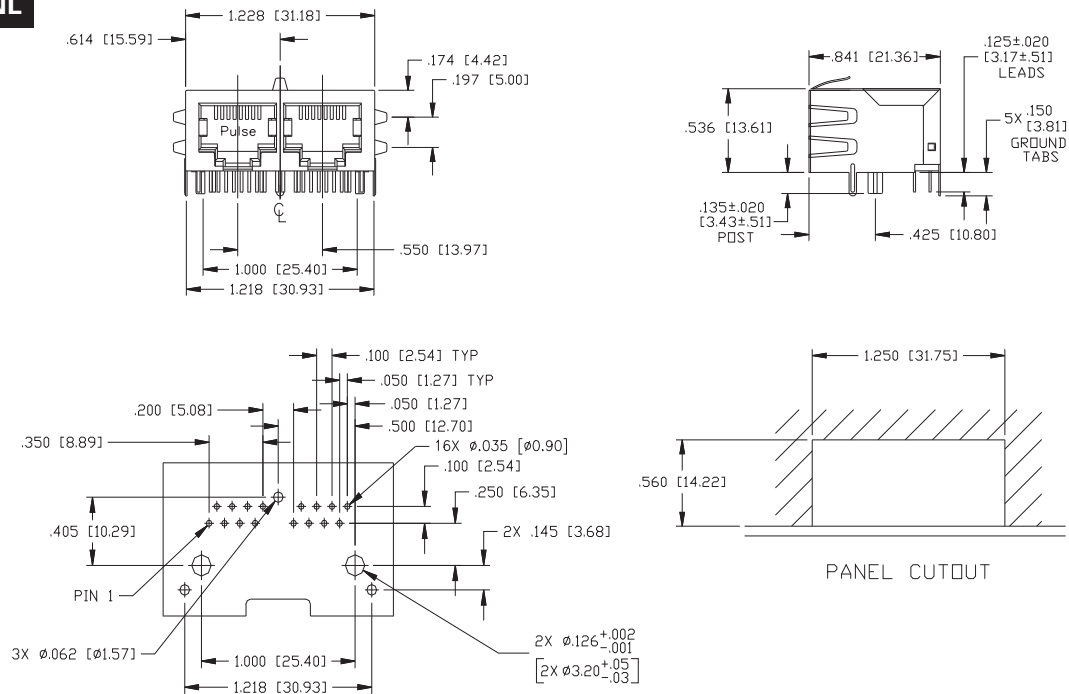
### Mechanicals

#### J8064D628ANL, JX80-0019NL



SUGGESTED PC BOARD LAYOUT VIEWED FROM COMPONENT SIDE  
PCB LAYOUT DIMENSIONS TO BE ±.003 UNLESS OTHERWISE SPECIFIED

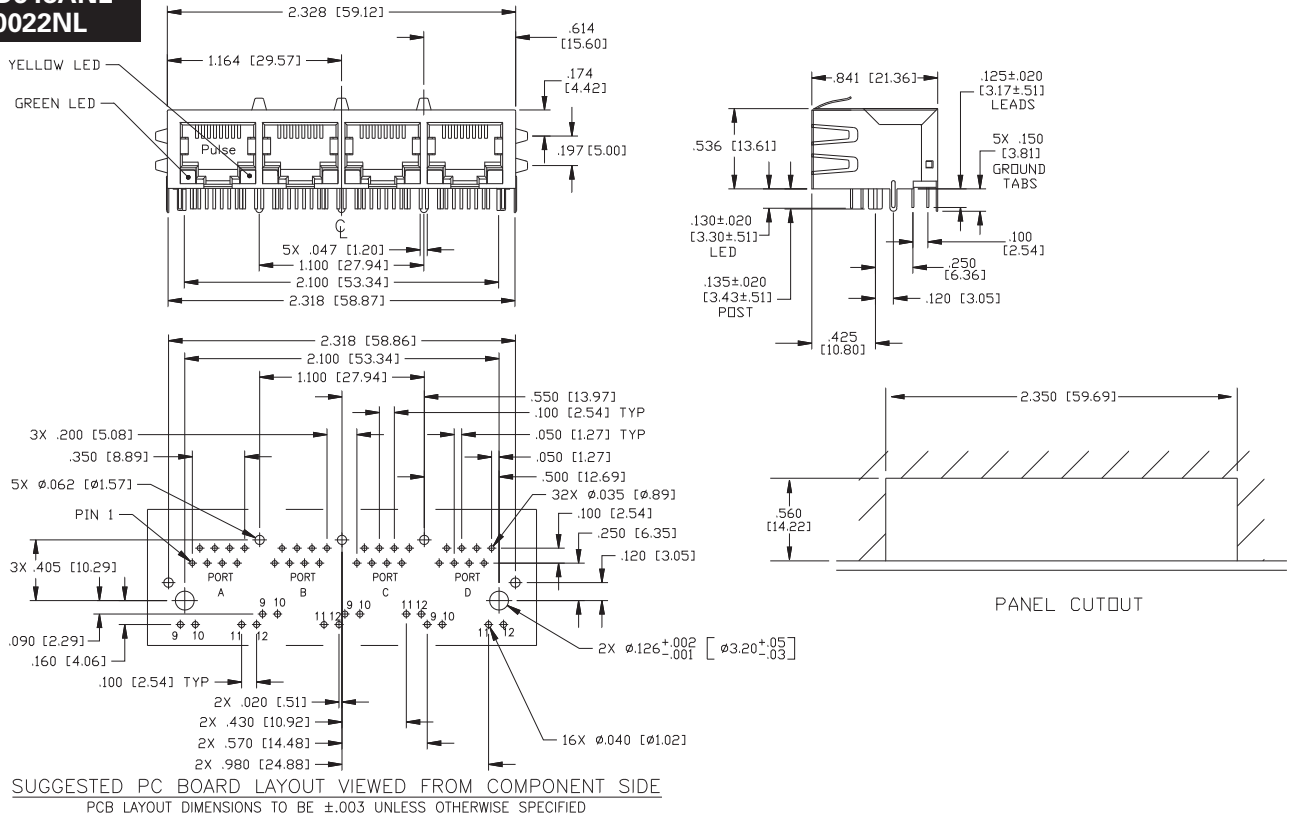
#### J8064E62NL



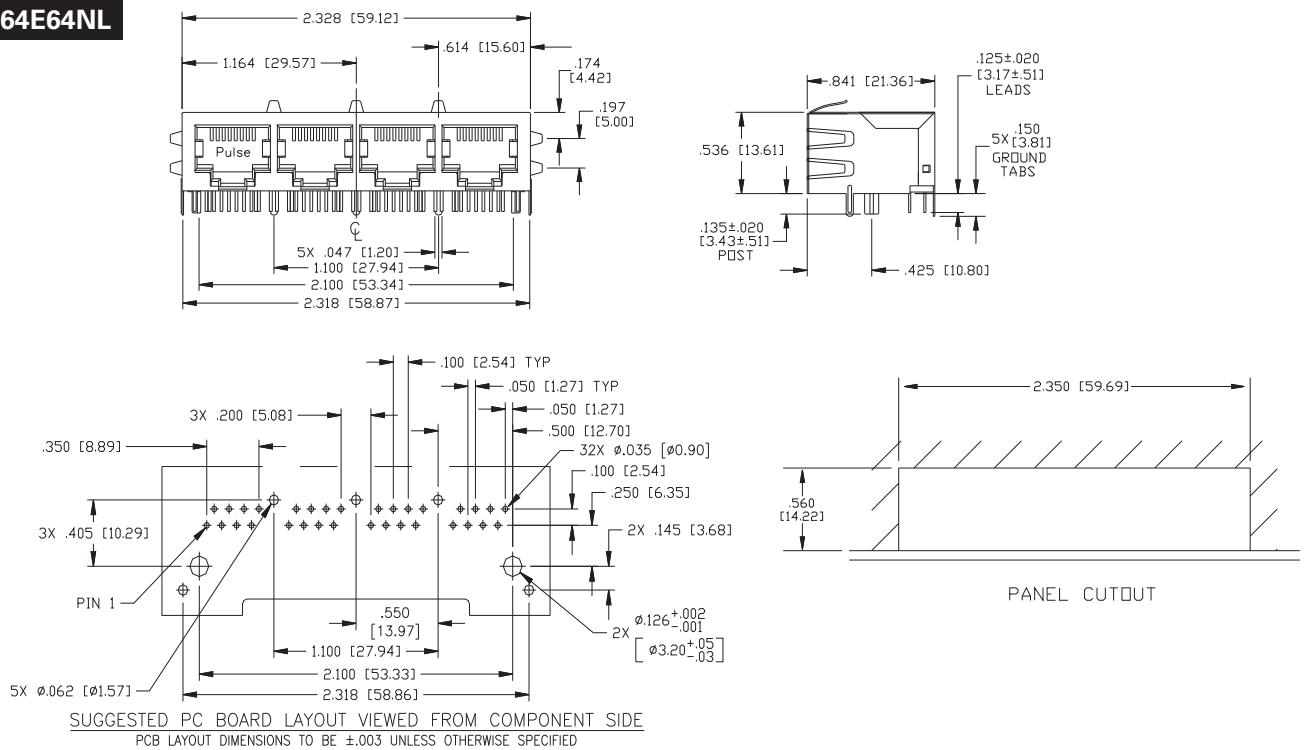
SUGGESTED PC BOARD LAYOUT VIEWED FROM COMPONENT SIDE  
PCB LAYOUT DIMENSIONS TO BE ±.003 UNLESS OTHERWISE SPECIFIED

### Mechanicals

**J8064D648ANL**  
**JX80-0022NL**



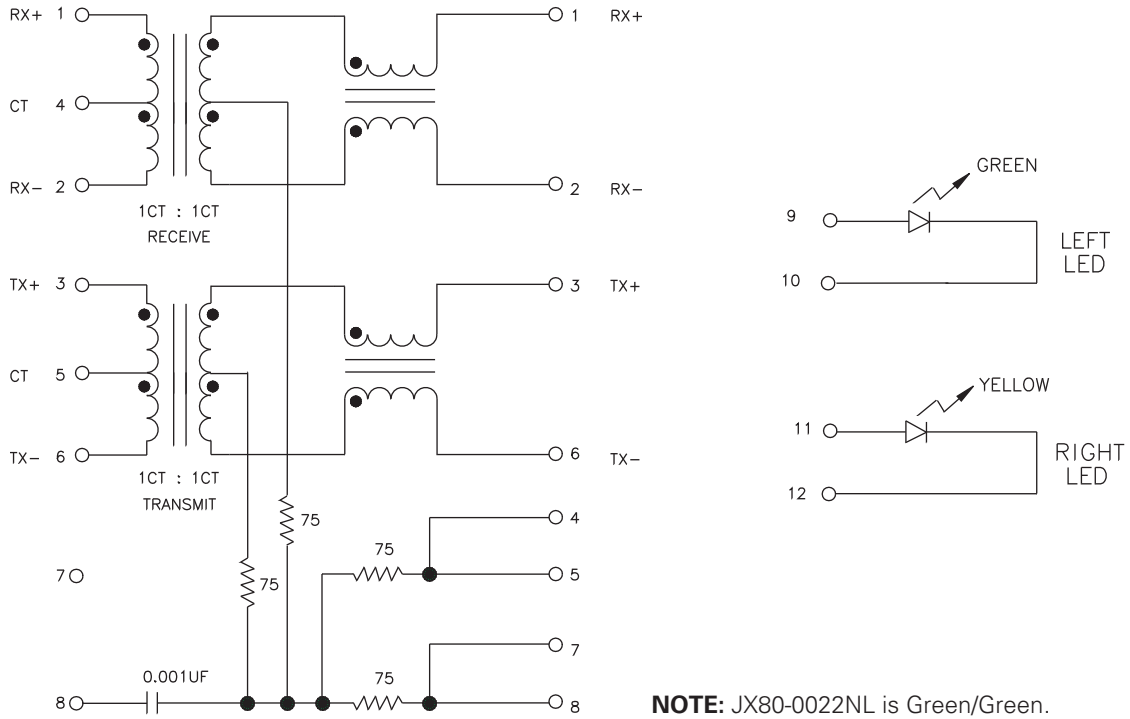
**J8064E64NL**







### Schematic for J8 and JX8 Series



Configuration	1X2	1X4	1X6	1X8
Part Number	J8064D628ANL J8064E62NL	J8064D648ANL J8064E64NL	J8064D668ANL J8064E66NL	J8064D688ANL J8064E68NL
Weight	10.9 grams	21.8 grams	32.7 grams	43.6 grams
Tray	10 /tray	10 /tray	10 /tray	10 /tray

### For More Information:

**Pulse Worldwide Headquarters**  
12220 World Trade Dr.  
San Diego, CA 92128  
U.S.A.  
[www.pulseeng.com](http://www.pulseeng.com)

**Pulse Europe**  
Einsteinstrasse 1  
D-71083 Herrenberg  
Germany

**Pulse China Headquarters**  
B402, Shenzhen Academy of  
Aerospace Technology Bldg.  
10th Kejinan Rd.  
High-Tech Zone  
Nanshan District  
Shenzhen, PR China 518057

**Pulse North China**  
Room 2704/2705  
Super Ocean Finance Ctr.  
2067 Yan An Rd. West  
Shanghai 200336  
China

**Pulse South Asia**  
135 Joo Seng Rd.  
#03-02  
PM Industrial Bldg.  
Singapore 368363

**Pulse North Asia**  
No. 26, Kao Ching  
Rd.  
Yang Mei Chen  
Taoyuan Hsien  
Taiwan  
R. O. C.

Tel: 858 674 8100  
Fax: 858 674 8262

Tel: 49 7032 7806 0  
Fax: 49 7032 7806 135

TEL: 86 755 33966678  
FAX: 86 755 33966700

Tel: 86 21 62787060  
Fax: 86 2162786973

TEL: 65 6287 8998  
FAX: 65 6280 0080

Tel: 886 3 4643715  
Fax: 886 3 4641911

Performance warranty of products offered on this data sheet is limited to the parameters specified. Data is subject to change without notice. Other brand and product names mentioned herein may be trademarks or registered trademarks of their respective owners.

© Copyright, 2009. Pulse Engineering, Inc. All rights reserved.