

# POWER SWITCH

## Power Supply Snap-in Rocker Switch, JW Series

Pb Free

**F Type**

ROCKER SWITCH

### Features

1. It's construction is highly resistant to an in-rush current. It's secured with contact gap of 3mm compatible with Class 2 under European Standards.
2. It is mountable, compatible with A type in our JW Series (in chassis mounting dimensions).

### Specifications

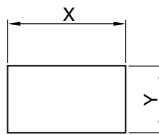
1. Rating : 10A 250V AC
2. In-Rush Current : 100A(5msec max.)
3. Withstanding Voltage : AC2000V for one minute
4. Electrical Life : 10,000 cycles
5. Circuit : DPST

### Safety Standard Approval No.

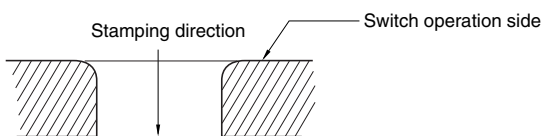
	UL
JWF2110	CSA
JWF2120	SEMKO
JWF2130	DEMKO
JWF2140	VDE
(Cat. No. JA47)	TÜV
	SEV

### Size of Mounting Hole

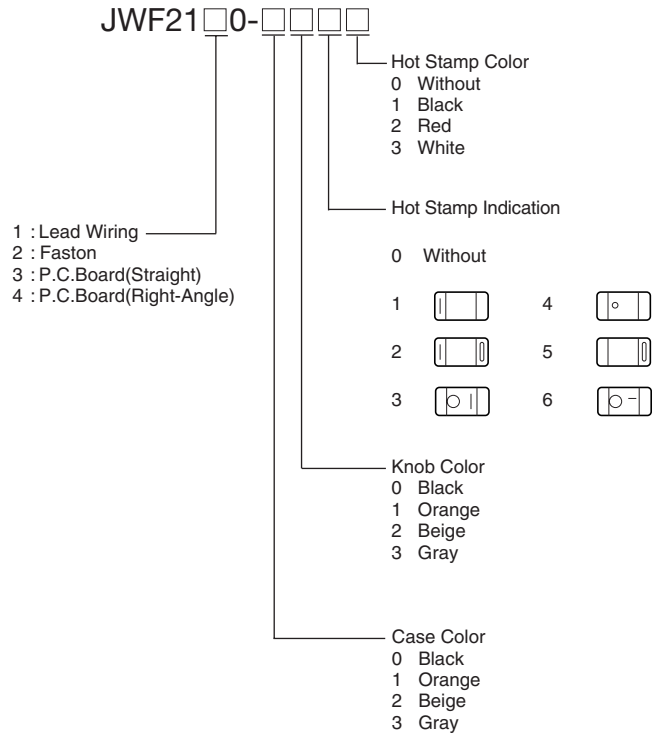
Thickness of mounting board	X	Y
0.75 ~1.25	19.2 <sup>+0.1</sup> <sub>0</sub>	12.9 <sup>+0.1</sup> <sub>0</sub>
1.25 ~2.00	19.4 <sup>+0.1</sup> <sub>0</sub>	12.9 <sup>+0.1</sup> <sub>0</sub>



Refer to the following drawing for a mounting hole.



### Variation



### Precautions on Use

1. Setting the switching current to as low as 0.5 amperes or less might result in an instable contact. If you apply the product in such usage, please make a separate inquiry with us.
2. The power switch is designed to have an alternating current rated. If you apply it with a direct current, please make a separate inquiry with us.
3. The rush performance (at an in-rush current of 100 amperes) has been evaluated under the RC load conditions subject to IEC65. The rush-resistant performance may vary with the conditions of a load, etc. It rest separately on an on-equipment basis.

### Precaution when mounting a switch

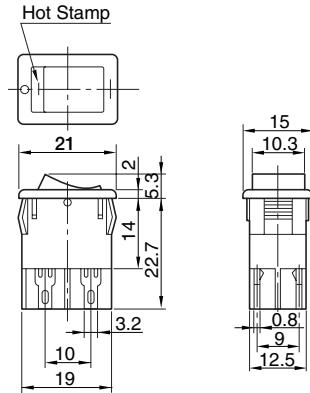
Switch design is on the basis of mounting on a SPCC(steel)panel. If use of soft materials such as plastic panels in place of standard SPCC panels is planned,decision should be made after verification of usability,particularly mounting strength for an extended period of time,under actual application conditions.

# POWER SWITCH

## Rocker Switch, JW Series

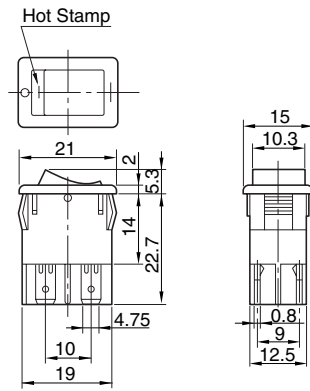
### JWF2110-□□□□

(DPST)  
Lead Wiring



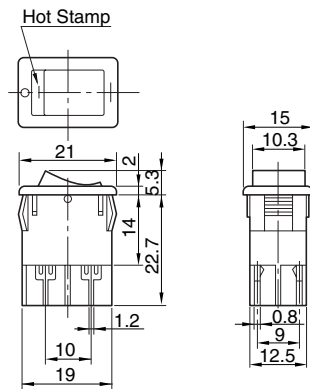
### JWF2120-□□□□

(DPST)  
Faston Type



### JWF2130-□□□□

(DPST)  
P.C.Board Type (Straight)



### JWF2140-□□□□

(DPST)  
P.C.Board Type (Right Angle)

