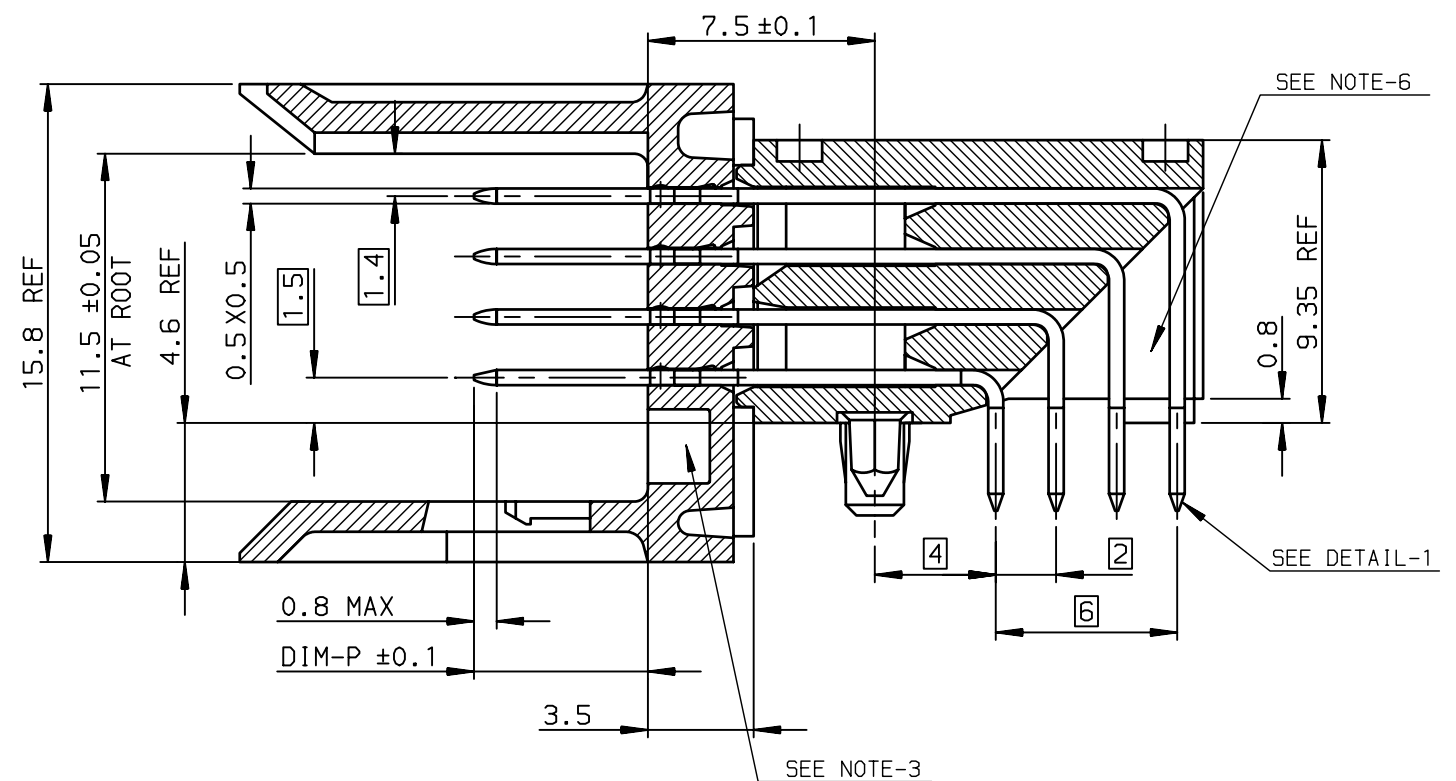


- NOTE-1: NORMINATIVE REF = IEC-61076-4-104
- NOTE-2: ONE CENTER PEG FOR HOLD DOWN FORCE
- NOTE-3: CODING RECESS FOR 8MM EXTENDED KEYS
- NOTE-4: PRODUCT MARKING = PRODUCT NUMBER + BATCH CODE + FCI  
FOR 2 MODULE SIZE, END OF PART NUMBER ONLY
- NOTE-6: CENTRAL WALL WITH END REAR SUPPORT
- NOTE-7: PACKAGING IN TRAY + COVER  
IF SUFFIX "P" IS ADDED IN P/N PACKAGING IS IN TRAYS  
BUT CONNECTOR MARKING IS WITHOUT "P"  
EXAMPLE: HM1XXXXXXXXH6P, MARKED HM1XXXXXXXXH6

SECTION-A SCALE: 4/1



GENERAL CHARACTERISTICS AND ROHS INFORMATIONS:

SEE PRODUCT SPECIFICATION GS-12-446

OTHERS INFORMATIONS, SEE DRW C-8626-0155-2

European Views

rev	ecn no	dr	date
F	-	CHA	2003/07/03
G	LS05-0056	MLE	2005/06/06
H	LS06-0097	LGO	2006/07/13
J	LS07-0184	MLE	2007/07/24
-	-	-	-
-	-	-	-
-	-	-	-

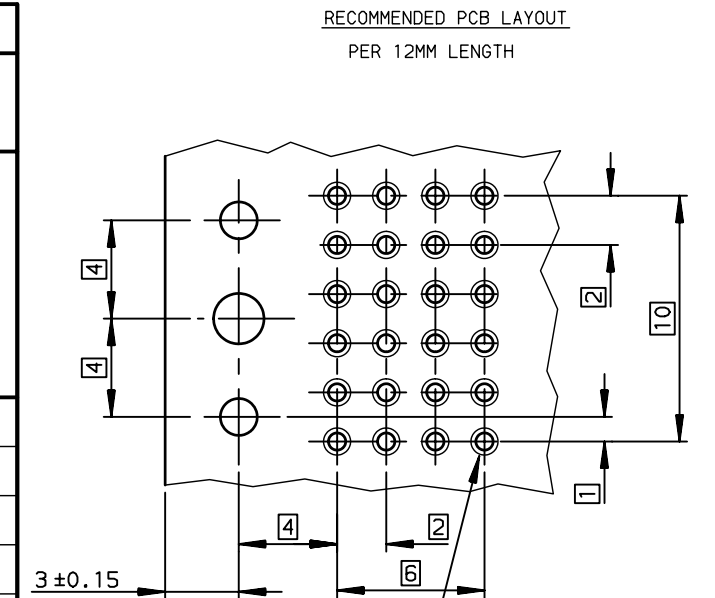
www.fciconnect.com		surface ISO 1302	tolerance std ISO 406 ISO 1101	projection mm
TOLERANCES UNLESS OTHERWISE SPECIFIED				size A3
Dr	CHAMPION	1994/09/09	ANGULAR	Scale 2.5
Eng	LENOIR	1994/09/09	LINEAR	ECN LS07-0184
Chr	LEGARE	1994/09/09	0.xx' ±2'	Spec ref -
Appr	LEGARE	1994/09/09	Product family METRAL	
FCi		title METRAL RA HDR WB CONVERGE		dwg no C-8626-0155-1
		4X12 CTS - STB - PUSH PEG		Rev. J
		catalog no		CUSTOMER sheet 1 of 2

TIN LEAD PART NUMBER

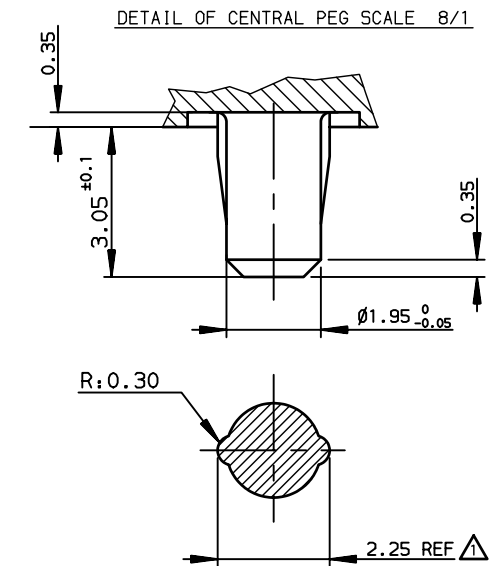
LEAD-FREE PART NUMBER

PART NUMBER / CONTACT LOADING							
DIM-P ±0.10				DIM-D ±0.3	P/N AND PERFORMANCE LEVEL	SP N°	
ROW-A	ROW-B	ROW-C	ROW-D				
5.00	5.00	5.00	5.00	TABLE-2	HM1L42AxP000H6P		
5.75	5.75	5.75	5.75	TABLE-2	HM1L42LxP000H6P		
6.50	6.50	6.50	6.50	TABLE-2	HM1L42DxP000H6P		
6.50	5.00	5.00	5.00	TABLE-2	HM1L42BxP000H6P		
6.50	5.75	5.75	6.50	TABLE-2	HM1L42CxP000H6P		
5.00	5.00	6.50	5.00	TABLE-2	HM1L42ZxP110H6P		110
5.00	5.75	6.50	5.00	TABLE-2	HM1L42ZxP430H6P		430
5.00	5.75	5.00	5.00	TABLE-2	HM1L42ZxP448H6P		448
5.75	5.00	5.00	5.00	TABLE-2	HM1L42ZxP009H6P		009
5.75	6.50	5.75	5.00	TABLE-2	HM1L42ZxP424H6P		424
6.50	5.75	6.50	5.75	TABLE-2	HM1L42ZxP037H6P		037
6.50	5.75	5.00	5.75	TABLE-2	HM1L42ZxP102H6P		102
6.50	6.50	6.50	5.75	TABLE-2	HM1L42ZxP135H6P		135
6.50	5.75	5.75	5.75	TABLE-2	HM1L42ZxP369H6P		369
8.00	6.50	5.75	6.50	3.70	HM1L42ZBP326H6P		326

PART NUMBER / CONTACT LOADING							
DIM-P ±0.10				DIM-D ±0.3	P/N AND PERFORMANCE LEVEL	SP N°	
ROW-A	ROW-B	ROW-C	ROW-D				
5.00	5.00	5.00	5.00	TABLE-2	HM1L42AxP000H6PLF		
5.75	5.75	5.75	5.75	TABLE-2	HM1L42LxP000H6PLF		
6.50	6.50	6.50	6.50	TABLE-2	HM1L42DxP000H6PLF		
6.50	5.00	5.00	5.00	TABLE-2	HM1L42BxP000H6PLF		
6.50	5.75	5.75	6.50	TABLE-2	HM1L42CxP000H6PLF		
5.00	5.00	6.50	5.00	TABLE-2	HM1L42ZxP110H6PLF		110
5.00	5.75	6.50	5.00	TABLE-2	HM1L42ZxP430H6PLF		430
5.00	5.75	5.00	5.00	TABLE-2	HM1L42ZxP448H6PLF		448
5.75	5.00	5.00	5.00	TABLE-2	HM1L42ZxP009H6PLF		009
5.75	6.50	5.75	5.00	TABLE-2	HM1L42ZxP424H6PLF		424
6.50	5.75	6.50	5.75	TABLE-2	HM1L42ZxP037H6PLF		037
6.50	5.75	5.00	5.75	TABLE-2	HM1L42ZxP102H6PLF		102
6.50	6.50	6.50	5.75	TABLE-2	HM1L42ZxP135H6PLF		135
6.50	5.75	5.75	5.75	TABLE-2	HM1L42ZxP369H6PLF		369
8.00	6.50	5.75	6.50	3.70	HM1L42ZBP326H6PLF		326



Hole according to product spec  
G5-12-445 (for press-fit) ,  
G5-12-446 (for STB)

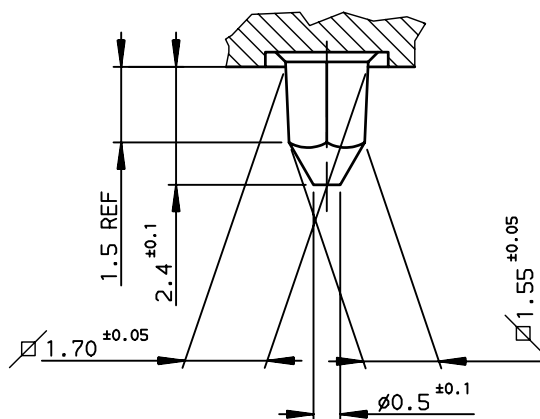


DIM-D=2.9 / replace 'x' by 'A' in the P/N  
DIM-D=3.7 / replace 'x' by 'B' in the P/N

STANDARD MATING LENGTHS = 5.75 (AND 5.00-6.50)  
STANDARD TERMINATION LENGTH = 2.90

DETAIL OF LOCATING PEGS (2x) SCALE 8/1

TABLE-2



European Views

www.fciconnect.com		surface ISO 1302	tolerance std ISO 406 ISO 1101	projection mm
TOLERANCES UNLESS OTHERWISE SPECIFIED				
Dr	CHAMPION	1994/09/09	ANGULAR	0.X ±0.1
Eng	LENOIR	1994/09/09	LINEAR	0.XX ±0.1
Chr	LEGARE	1994/09/09	0.XX' ±2'	0.XXX ±0.1
Appr	LEGARE	1994/09/09	Product family	METRAL
size				A3
ECN				LS07-0184
Spec ref				-
Title		METRAL RA HDR WB CONVERGE		Rev.
catalog no		-		J
dwg no		C-8626-0155-2		sheet 2 of 2

rev	ecn no	dr	date
E	-	CHA	2003/03/17
G	LS05-0056	MLE	2005/06/06
H	LS06-0097	LGO	2006/07/13
J	LS07-0184	MPE	2007/07/24
-	-	-	-
-	-	-	-
-	-	-	-