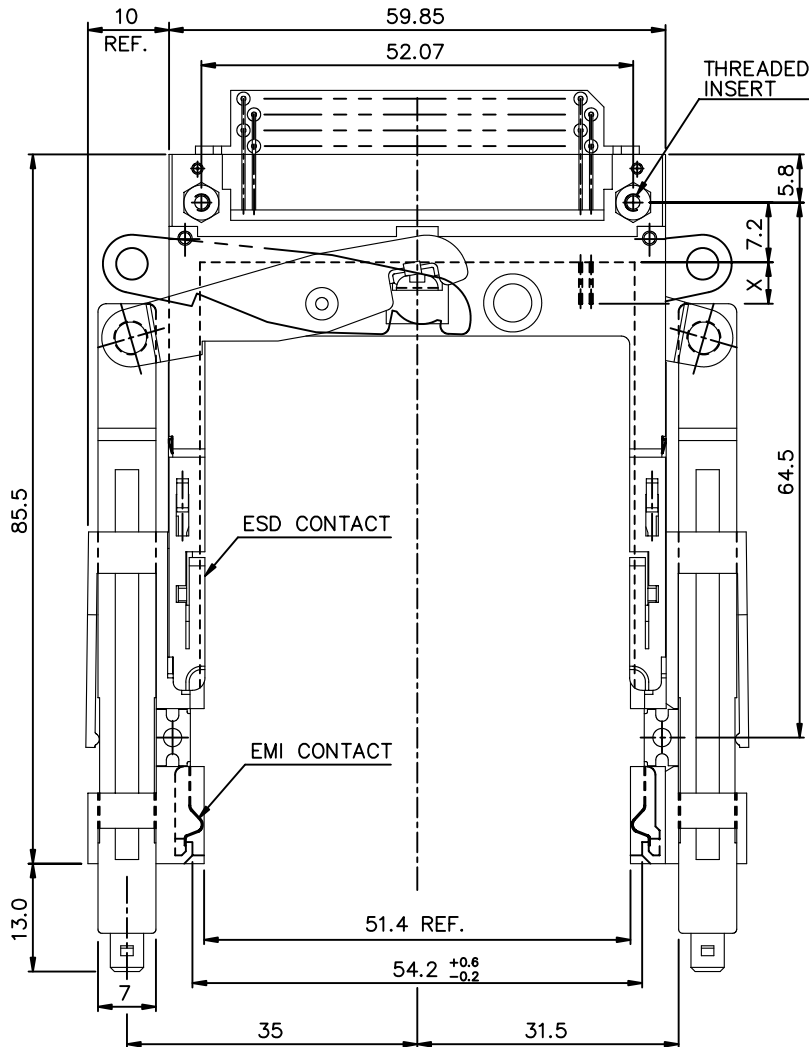
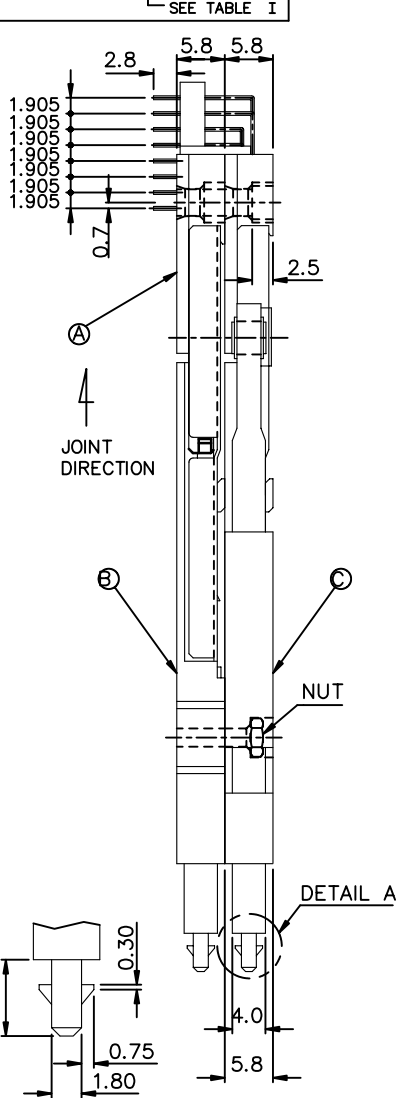


PRODUCT NO.
61150-100G*/100G*LF

SEE TABLE I



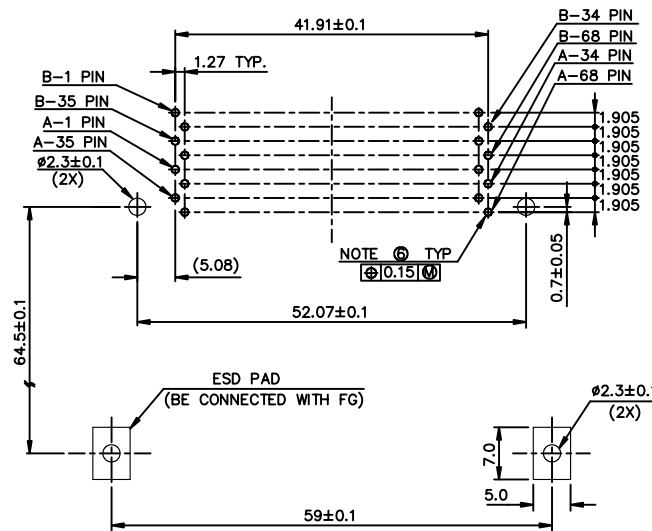
NOTES:

- EJECT FORCE : 3.5 Kg MAX.
- EJECT TRAVEL: 8.0mm
- MATERIAL
 - PART A (HEADER ASS'Y)
PLASTIC : HOUSING ...LCP UL94V-0 BLACK
LOCATOR ...G.F. 6/6 NYLON UL94-VO BLACK
PIN : PHOSPHOR BRONZE
 - PART B AND C (EJECT MECHANISM ASS'Y)
PLASTIC : GUIDE: POLYPHTHARAMID UL94V-0 BLACK
PUSH ROD: POLYPHTHARAMID UL94V-0 BLACK
PLATE : STAINLESS
EMI CONTACT: PHOSPHOR BRONZE
- FINISH (PIN)
UNDER PLATING : 0.5µm MIN. NI
CONTACT AREA : 0.1µm MIN. GOLD OVER 0.5µm MIN. Pd-NI
SOLDER TAIL(TIN LEAD OPTION): 2.5µm MIN. Sn-Pb
SOLDER TAIL(LEAD FREE OPTION): 2.5µm MIN. PURE TIN
- DIM "X"

4.25±0.1	3.5±0.1	5.0±0.1
OTHERS	36,67	1,17,34,35,51,68
- RECOMMENDED DIAMETER IS Ø1.0, FOR PROCESSES USING PASTE REFLOW, HOLE MAYBE AS SMALL AS Ø0.79.
- IF LEAD FREE P/N, THE HOUSING WILL WITHSTAND EXPOSURE TO 260°C PEAK TEMPERATURE FOR 10 SECONDS IN A WAVE SOLDER APPLICATION WITH A 1.00MM MINIMUM THICK CIRCUIT BOARD.
- IF LEAD FREE P/N, THE PRODUCT MEETS EUROPEAN UNION DIRECTIVES AND OTHER COUNTRY REGULATIONS AS DESCRIBED IN GS-22-008
- LEAD FREE P/N PACKAGING MEETS GS-14-920 SPECIFICATION

TABLE I

*	PUSH ROD COLOR
A	BLACK
H	NATURAL

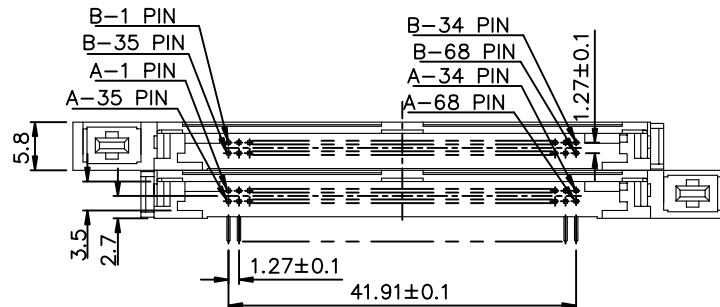


4 CARD INSERTION DIRECTION

DETAIL A

USE THE FOLLOWING P/N FOR OFFICIAL ORDERING

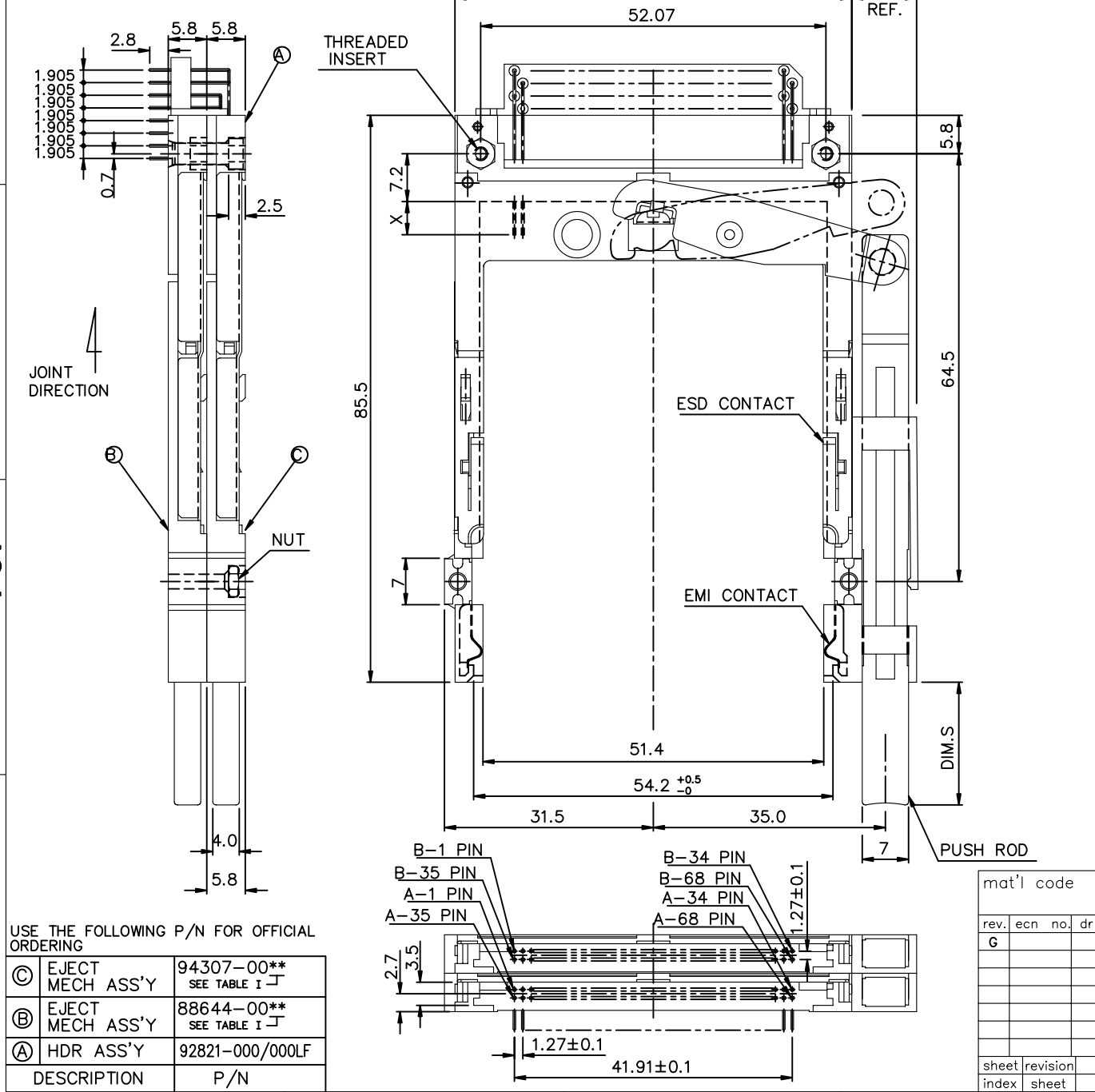
Ⓒ	EJECT MECH ASS'Y	94307-10G* SEE TABLE I
Ⓑ	EJECT MECH ASS'Y	88644-00G* SEE TABLE I
Ⓐ	HDR ASS'Y	92821-000/000LF
	DESCRIPTION	P/N



mat'l code		tolerance unless otherwise specified		CUSTOMER COPY		FCI ELECTRONICS	
rev.	ecn no.	dr	date	linear	±0.30	projection	title
A	T55051	W L	08/02/95				88P DOUBLE EJECTOR HEADER ASS'Y FOR TYPE 1/2/3
B	T55066	W L	09/25/95				
C	T65007	W L	01/13/96	angles	± 2°		product family : PCMCIA code TWN
D	T60355	W L	09/02/96	dr	WENDY CHEN	08/02/95	
E	T10067	W L	03/05/01	enr	JOSEPH HSIA	08/02/95	scale
F	T10092	W L	03/14/01	chr	JOSEPH HSIA	08/02/95	
G	N05-0059	W B	03/03/05	appd	JENN TSAO	08/02/95	1 OF 6
sheet	revision	G	G	G	G	G	
index	sheet	1	2	3	4	5	6

Tous droits strictement réservés. Reproduction ou communication a des tiers int sous quelque forme que ce soit sans autorisation écrite du propriétaire. Property of c BERG ELECTRONICS. Droits de reproduction BERG ELECTRONICS by FCI
 All rights strictly reserved. Reproduction or issue to third parties in any for whatever is not permitted without written authority from the proprietor. Property of c BERG ELECTRONICS. Copyright BERG ELECTRONICS by FCI

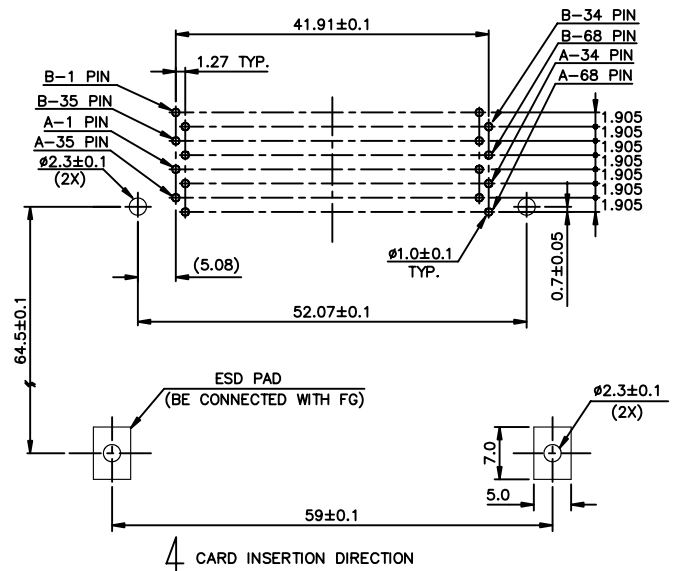
PRODUCT NO.
 61150-200**/200**LF
 SEE TABLE I



- NOTES:
- EJECT FORCE : 3.5 Kg MAX.
 - EJECT TRAVEL: 8.0mm
 - MATERIAL
 - PART A (HEADER ASS'Y)
 PLASTIC : HOUSING ...LCP UL94V-0 BLACK
 LOCATOR ...GF 6/6 NYLON UL94-V0 BLACK
 PIN : PHOSPHOR BRONZE
 - PART B AND C (EJECT MECHANISM ASS'Y)
 PLASTIC : GUIDE: POLYPHTHARAMID UL94V-0 BLACK
 PUSH ROD: POLYPHTHARAMID UL94V-0 BLACK
 PLATE : STAINLESS
 EMI CONTACT: PHOSPHOR BRONZE
 - FINISH (PIN)
 UNDER PLATING : 0.5µm MIN. Ni
 CONTACT AREA : 0.1µm MIN. GOLD OVER 0.5µm MIN. Pd-Ni
 SOLDER TAIL (TIN LEAD OPTION): 2.5µm MIN. Sn-Pb
 SOLDER TAIL (LEAD FREE OPTION): 2.5µm MIN. PURE TIN
 - DIM "X"

4.25±0.1	3.5±0.1	5.0±0.1
OTHERS	36,67	1,17,34,35,51,68
 - IF LEAD FREE P.N. THE HOUSING WILL WITHSTAND EXPOSURE TO 260°C PEAK TEMPERATURE FOR 10 SECONDS IN A WAVE SOLDER APPLICATION WITH A 1.00MM MINIMUM THICK CIRCUIT BOARD.
 - LEAD FREE P/N PACKAGING MEETS GS-14-920 SPECIFICATION
 - TABLE I

**	DIM.S	PUSH ROD COLOR
CA	13.0	BLACK
CH	13.0	NATURAL
DA	15.2	BLACK
DH	15.2	NATURAL
EA	18.5	BLACK
EH	18.5	NATURAL
FA	21.0	BLACK
FH	21.0	NATURAL



USE THE FOLLOWING P/N FOR OFFICIAL ORDERING

DESCRIPTION	P/N
Ⓒ EJECT MECH ASS'Y	94307-00** SEE TABLE I
Ⓑ EJECT MECH ASS'Y	88644-00** SEE TABLE I
Ⓐ HDR ASS'Y	92821-000/000LF

mat'l code		tolerance unless otherwise specified		CUSTOMER	FCI www.fciconnect.com
rev.	ecn no. dr date	linear	±0.30	COPY	
G		angles	±2°	projection	
		dr	WENDY CHEN 01/10/96	unit	title
		enr	JOSEPH HSIA 01/10/96	mm/inch	68P DOUBLE EJECTOR HEADER ASS'Y FOR TYPE 1/2/3
		chr	JOSEPH HSIA 01/10/96	size	product family PCMCIA
		appd	JENN TSAO 01/10/96	scale	code
				1.5:1	TWN
sheet	revision			A3	61150
index	sheet				2 OF

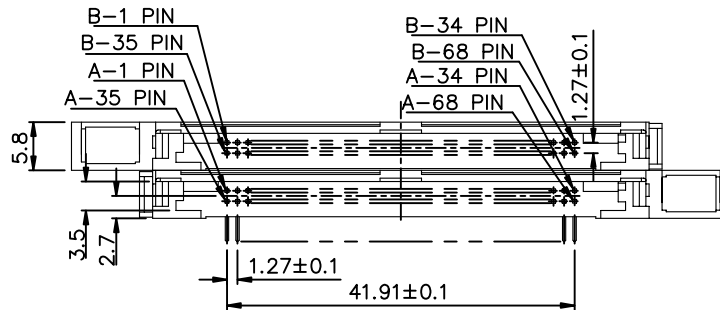
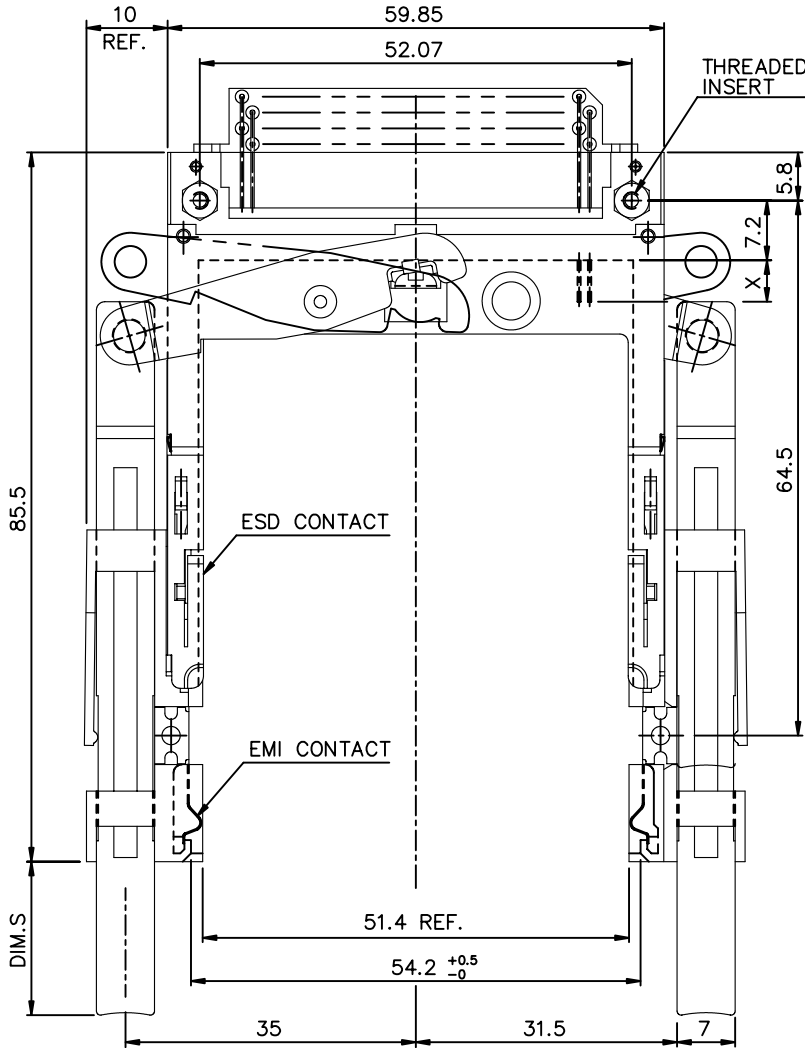
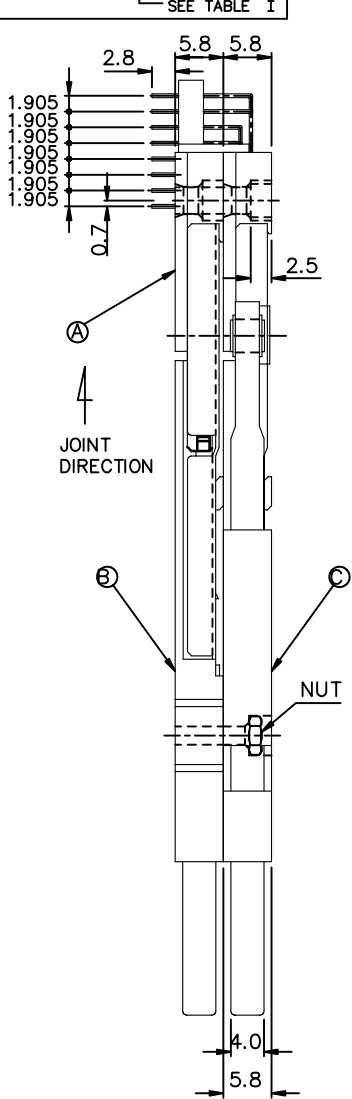
Tous droits strictement réservés. Reproduction ou communication à des tiers int
 sous quelque forme que ce soit sans autorisation écrite du propriétaire.
 Property of c BERG ELECTRONICS.
 Droits de reproduction BERG ELECTRONICS by

FCI

All rights strictly reserved. Reproduction or issue to third parties in any for
 whatever is not permitted without written authority from the proprietor.
 Property of c BERG ELECTRONICS.
 Copyright BERG ELECTRONICS by

PRODUCT NO.
 61150-100**/100**LF

SEE TABLE I



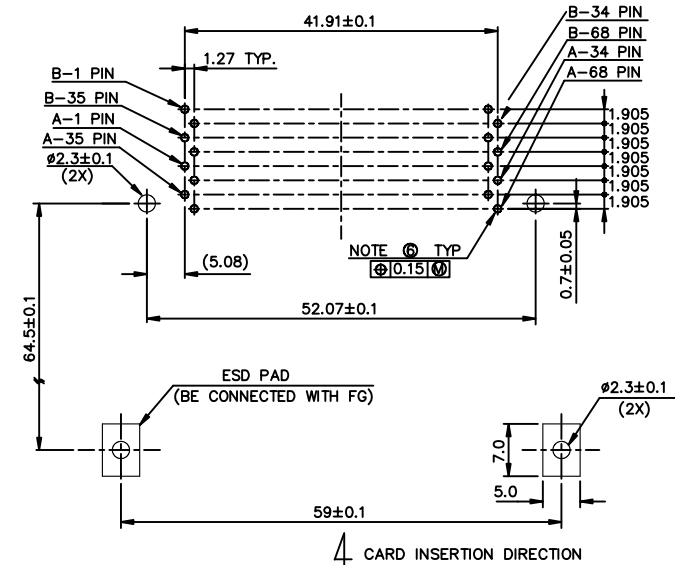
NOTES:

- EJECT FORCE : 3.5 Kg MAX.
- EJECT TRAVEL: 8.0mm
- MATERIAL
- PART (A) (HEADER ASS'Y)
 PLASTIC : HOUSING ...LCP UL94V-0 BLACK
 : LOCATOR ...G.F. 6/6 NYLON UL94-VO BLACK
 PIN : PHOSPHOR BRONZE
- PART (B) AND (C) (EJECT MECHANISM ASS'Y)
 PLASTIC : GUIDE: POLYPHTHARAMID UL94V-0 BLACK
 : PUSH ROD: POLYPHTHARAMID UL94V-0 BLACK
 PLATE : STAINLESS
 EMI CONTACT: PHOSPHOR BRONZE
- FINISH (PIN)
 UNDER PLATING : 0.5µm MIN. NI
 CONTACT AREA : 0.1µm MIN. GOLD OVER 0.5µm MIN. Pd-NI
 SOLDER TAIL (TIN LEAD OPTION): 2.5µm MIN. Sn-Pb
 SOLDER TAIL (LEAD FREE OPTION): 2.5µm MIN. PURE TIN
- DIM "X"
- RECOMMENDED DIAMETER IS Ø1.0, FOR PROCESSES USING PASTE REFLOW. HOLE MAYBE AS SMALL AS Ø0.79.
- IF LEAD FREE P/N, THE HOUSING WILL WITHSTAND EXPOSURE TO 260°C PEAK TEMPERATURE FOR 10 SECONDS IN A WAVE SOLDER APPLICATION WITH A 1.00MM MINIMUM THICK CIRCUIT BOARD.
- LEAD FREE P/N PACKAGING MEETS GS-14-920 SPECIFICATION

4.25±0.1	3.5±0.1	5.0±0.1
OTHERS	36,67	1,17,34,35,51,68

9. TABLE I

** DIM. S	PUSH ROD COLOR
CA 13.0	BLACK
CH 13.0	NATURAL
DA 15.2	BLACK
DH 15.2	NATURAL
EA 18.5	BLACK
EH 18.5	NATURAL
FA 21.0	BLACK
FH 21.0	NATURAL



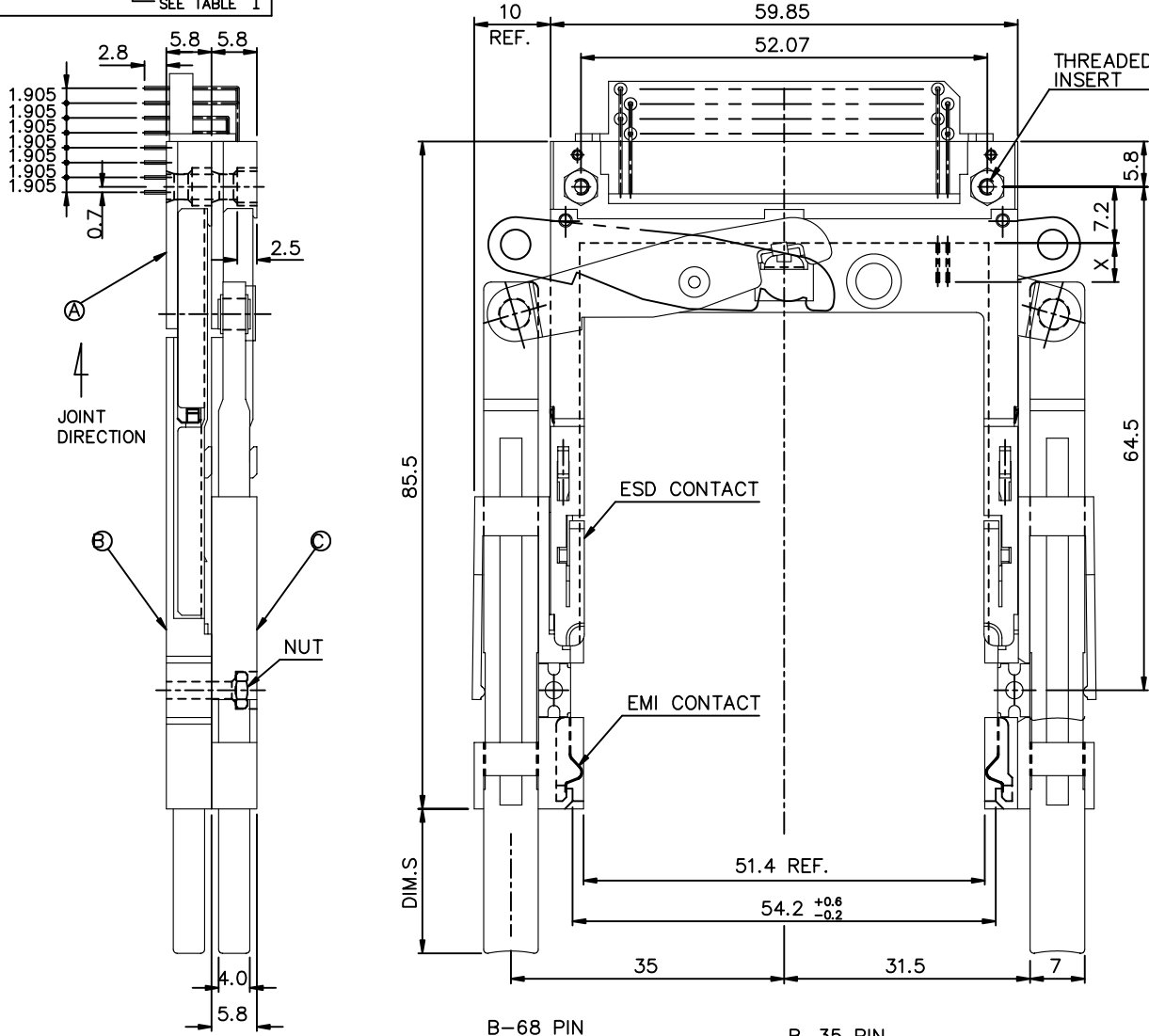
USE THE FOLLOWING P/N FOR OFFICIAL ORDERING

(C)	EJECT MECH ASS'Y	94307-10** SEE TABLE I
(B)	EJECT MECH ASS'Y	88644-00** SEE TABLE I
(A)	HDR ASS'Y	92821-000/000LF
	DESCRIPTION	P/N

mat'l code		tolerance unless otherwise specified		CUSTOMER COPY		FCI www.fciconnect.com	
rev.	ecn no.	dr	date	linear	±0.30	projection	title
D				angles	± 2°		88P DOUBLE EJECTOR HEADER ASS'Y FOR TYPE 1/2/3
		dr	WENDY CHEN	09/12/96	unit	mm/inch	product family PCMCIA
		enr	JOSEPH HSIA	09/12/96	scale	1.5:1	code TWN
		chr	JOSEPH HSIA	09/12/96	scale	1.5:1	sheet 3 OF
		appd	JENN TSAO	09/12/96	scale	1.5:1	sheet 3 OF
sheet	revision						
index	sheet						

PRODUCT NO.
61150-600**/600**LF

SEE TABLE I



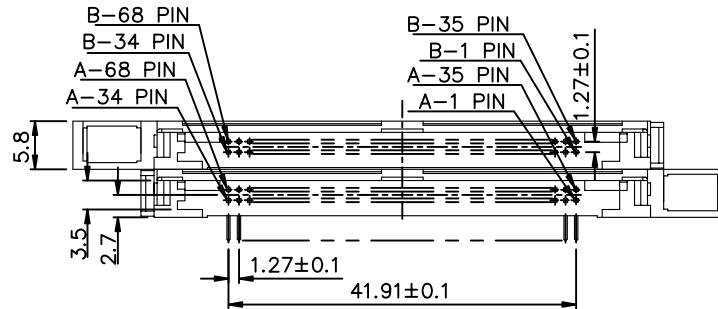
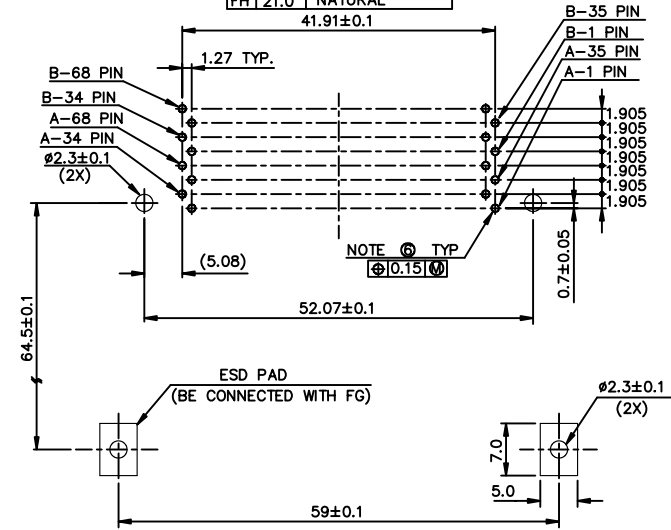
NOTES:

- EJECT FORCE : 3.5 Kg MAX.
- EJECT TRAVEL: 8.0mm
- MATERIAL
 - PART (A) (HEADER ASS'Y)
PLASTIC : HOUSING ...LCP UL94V-0 BLACK
LOCATOR ...G.F. 6/6 NYLON UL94-VO BLACK
PIN : COPPER ALLOY
 - PART (B) AND (C) (EJECT MECHANISM ASS'Y)
PLASTIC : GUIDE: POLYPHTHARAMID UL94V-0 BLACK
PUSH ROD: POLYPHTHARAMID UL94V-0 BLACK
PLATE : STAINLESS
EMI CONTACT: PHOSPHOR BRONZE
- FINISH (PIN)
UNDER PLATING : 0.5µm MIN. Ni
CONTACT AREA : 0.1µm MIN. GOLD OVER 0.5µm MIN. Pd-Ni
SOLDER TAIL(TIN LEAD OPTION): 2.5µm MIN. Sn-Pb
SOLDER TAIL(LEAD FREE OPTION): 2.5µm MIN. PURE TIN
- DIM "X"

4.25±0.1	3.5±0.1	5.0±0.1
OTHERS	36,67	1,17,34,35,51,68
- RECOMMENDED DIAMETER IS Ø1.0, FOR PROCESSES USING PASTE REFLOW, HOLE MAYBE AS SMALL AS Ø0.79.
- IF LEAD FREE P.N.THE HOUSING WILL WITHSTAND EXPOSURE TO 260°C PEAK TEMPERATURE FOR 10 SECONDS IN A WAVE SOLDER APPLICATION WITH A 1.00MM MINIMUM THICK CIRCUIT BOARD.
- LEAD FREE P/N PACKAGING MEETS GS-14-920 SPECIFICATION

9. TABLE I

** DIM.S	PUSH ROD COLOR
CA 13.0	BLACK
CH 13.0	NATURAL
DA 15.2	BLACK
DH 15.2	NATURAL
EA 18.5	BLACK
EH 18.5	NATURAL
FA 21.0	BLACK
FH 21.0	NATURAL



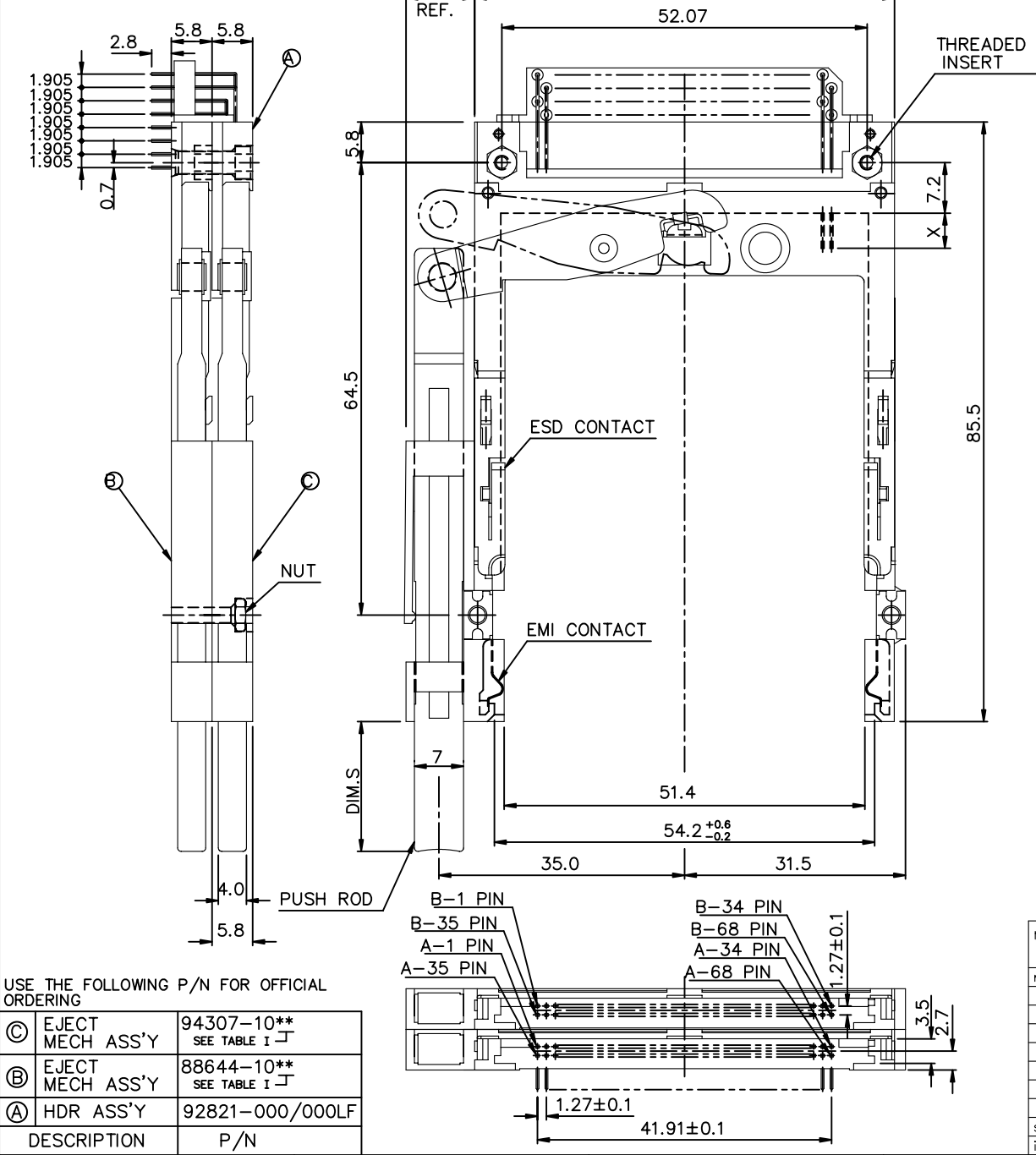
USE THE FOLLOWING P/N FOR OFFICIAL ORDERING

(C)	EJECT MECH ASS'Y	94307-10** SEE TABLE I
(B)	EJECT MECH ASS'Y	88644-00** SEE TABLE I
(A)	HDR ASS'Y	92821-500/500LF
	DESCRIPTION	P/N

mat'l code		tolerance unless otherwise specified		CUSTOMER COPY		FCI ELECTRONICS	
rev.	ecn no.	dr	date	linear	±0.30	projection	title
G				linear			88P DOUBLE EJECTOR HEADER ASS'Y FOR TYPE 1/2/3
				angles	± 2°	unit	product family : PCMCIA
				dr	WENDY CHEN 12/20/00	mm/inch	code
				enr	LEIF SHEN 12/20/00	scale	TWN
				chr	JOSEPH HSIA 12/20/00	1.5:1	sheet
				appd	JOSEPH HSIA 12/20/00	A3	61150
sheet	revision						4 of 4
index	sheet						

Tous droits strictement réservés. Reproduction ou communication, a des tiers int
 sous quelque forme que ce soit sans autorisation écrite du propriétaire.
 propriété de c BERG ELECTRONICS.
 Droits de reproduction BERG ELECTRONICS by
 FCI
 All rights strictly reserved. Reproduction or issue to third parties in any for
 whatever is not permitted without written authority from the proprietor.
 Property of c BERG ELECTRONICS.
 Copyright BERG ELECTRONICS by
 FCI

PRODUCT NO.	
61150-300**/300**LF	SEE TABLE I

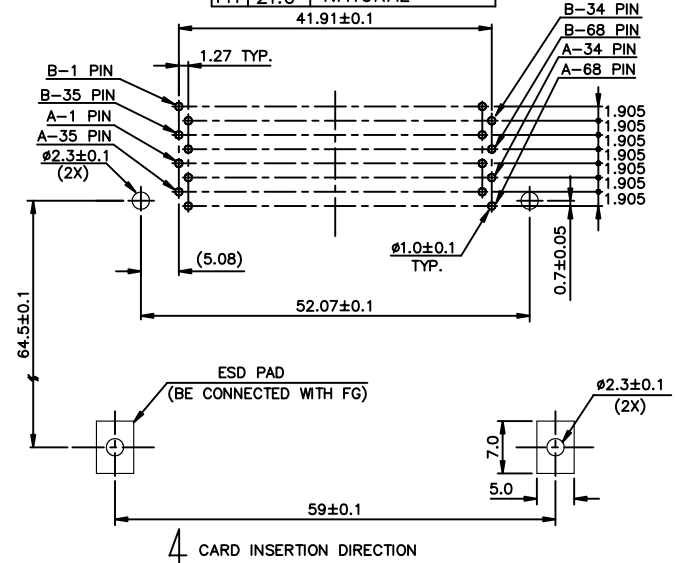


- NOTES:
- EJECT FORCE : 3.5 Kg MAX.
 - EJECT TRAVEL: 8.0mm
 - MATERIAL
 - 3.1 PART (A) (HEADER ASS'Y)
PLASTIC : HOUSING ...LCP UL94V-0 BLACK
LOCATOR ...G.F. 6/6 NYLON UL94-V0 BLACK
 - 3.2 PART (B) AND (C) (EJECT MECHANISM ASS'Y)
PLASTIC : GUIDE: POLYPHTHARAMID UL94V-0 BLACK
PUSH ROD: POLYPHTHARAMID UL94V-0 BLACK
 - PLATE : STAINLESS
EMI CONTACT: PHOSPHOR BRONZE
 - FINISH (PIN)
 - UNDER PLATING : 0.5µm MIN. Ni
 - CONTACT AREA : 0.1µm MIN. GOLD OVER 0.5µm MIN. Pd-Ni
 - SOLDER TAIL (TIN LEAD OPTION): 2.5µm MIN. Sn-Pb
 - SOLDER TAIL (LEAD FREE OPTION): 2.5µm MIN. PURE TIN
 - DIM "X"

4.25±0.1	3.5±0.1	5.0±0.1
OTHERS	36,67	1,17,34,35,51,68
 - IF LEAD FREE P.N. THE HOUSING WILL WITHSTAND EXPOSURE TO 260°C PEAK TEMPERATURE FOR 10 SECONDS IN A WAVE SOLDER APPLICATION WITH A 1.00MM MINIMUM THICK CIRCUIT BOARD.
 - LEAD FREE P/N PACKAGING MEETS GS-14-920 SPECIFICATION

8. TABLE I

** DIM.S	PUSH ROD COLOR
CA 13.0	BLACK
CH 13.0	NATURAL
DA 15.2	BLACK
DH 15.2	NATURAL
EA 18.5	BLACK
EH 18.5	NATURAL
FA 21.0	BLACK
FH 21.0	NATURAL

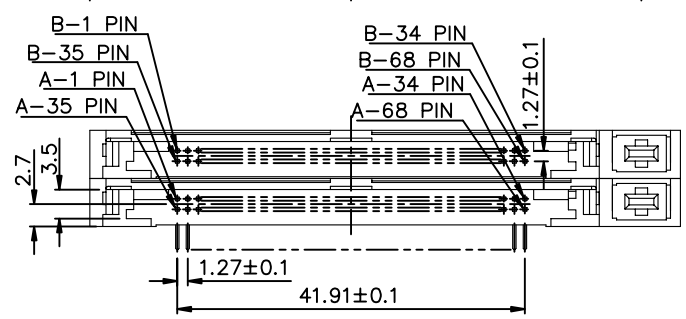
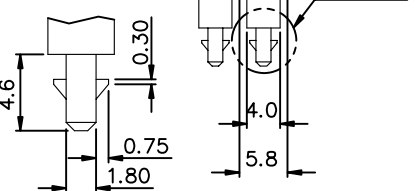
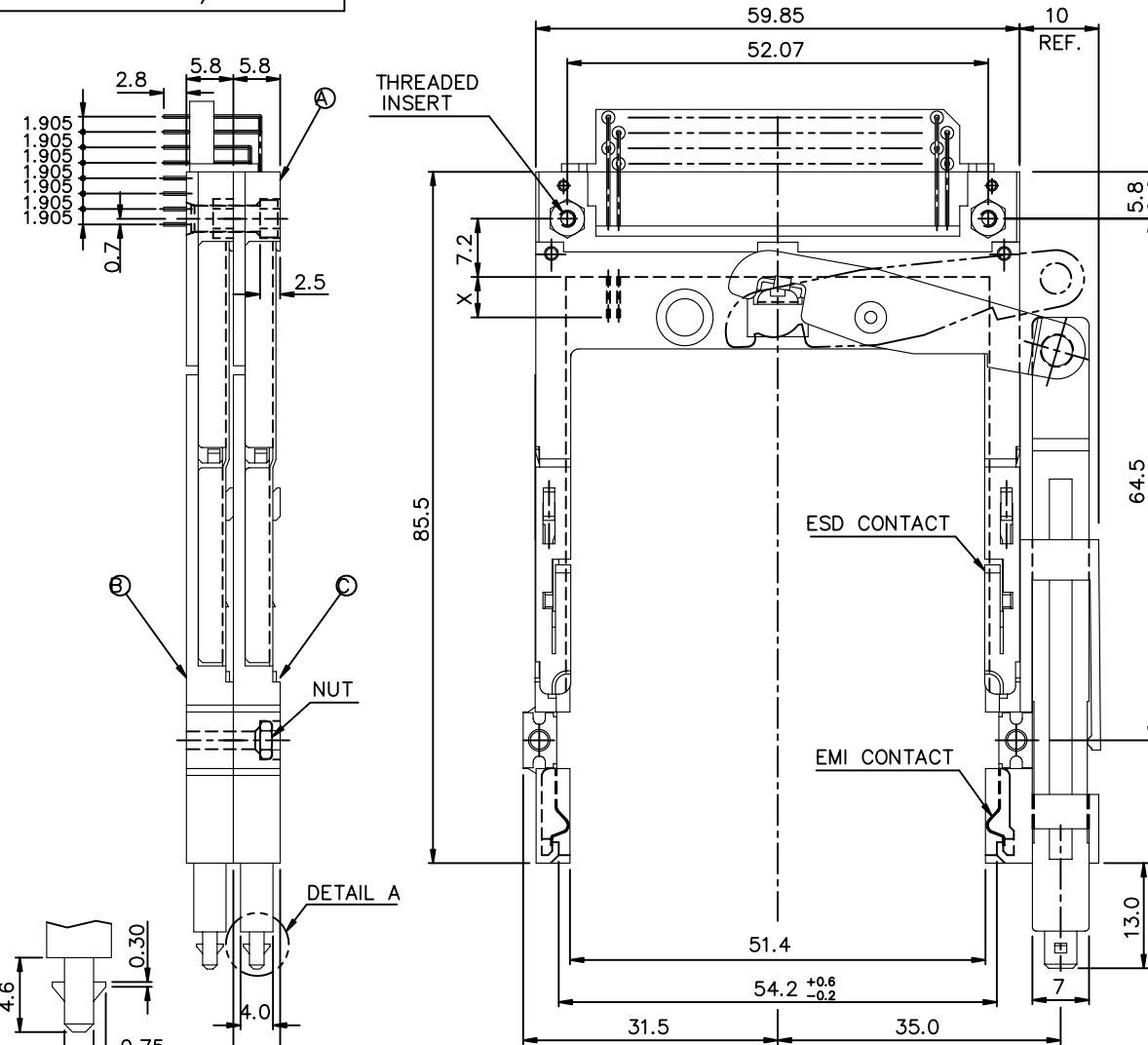


USE THE FOLLOWING P/N FOR OFFICIAL ORDERING

(C) EJECT MECH ASS'Y	94307-10** SEE TABLE I
(B) EJECT MECH ASS'Y	88644-10** SEE TABLE I
(A) HDR ASS'Y	92821-000/000LF
DESCRIPTION	P/N

mat'l code	tolerance unless otherwise specified	CUSTOMER COPY	FCI ELECTRONICS	
rev. ecn no. dr date	linear ±0.30	projection	title	
G	angles ±2°	unit	68P DOUBLE EJECTOR HEADER ASS'Y FOR TYPE 1/2/3	
	dr WENDY CHEN 03/05/01	mm/inch	product family : PCMCIA	code T'WN
	enr MINERVA WANG 03/05/01	scale	size dwg no.	sheet 5 of
	chr JOSEPH HSIA 03/05/01	1.5:1	A3	61150
	appd JOSEPH HSIA 03/05/01			
sheet revision index	sheet			

PRODUCT NO.
61150-200GA/200GALF



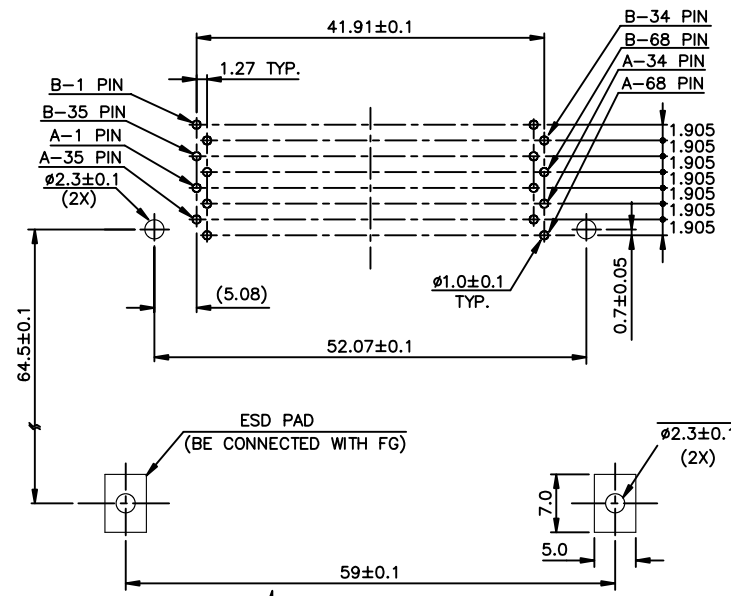
USE THE FOLLOWING P/N FOR OFFICIAL ORDERING

DESCRIPTION	P/N
Ⓒ EJECT MECH ASS'Y	94307-00GA
Ⓑ EJECT MECH ASS'Y	88644-00GA
Ⓐ HDR ASS'Y	92821-000/000LF

NOTES:

- EJECT FORCE : 3.5 Kg MAX.
- EJECT TRAVEL: 8.0mm
- MATERIAL
 - PART Ⓐ (HEADER ASS'Y)
PLASTIC : HOUSING ...LCP UL94V-0 BLACK
: LOCATOR ...G.F. 6/6 NYLON UL94-V0 BLACK
PIN : COPPER ALLOY
 - PART Ⓑ AND Ⓒ (EJECT MECHANISM ASS'Y)
PLASTIC : GUIDE: POLYPHTHAMID UL94V-0 BLACK
: PUSH ROD: POLYPHTHAMID UL94V-0 BLACK
PLATE : STAINLESS
EMI CONTACT: PHOSPHOR BRONZE
- FINISH (PIN)
UNDER PLATING : 0.5µm MIN. Ni
CONTACT AREA : 0.1µm MIN. GOLD OVER 0.5µm MIN. Pd-Ni
SOLDER TAIL (TIN LEAD OPTION): 2.5µm MIN. Sn-Pb
SOLDER TAIL (LEAD FREE OPTION): 2.5µm MIN. PURE TIN
- DIM "X"

4.25±0.1	3.5±0.1	5.0±0.1
OTHERS	36,67	1,17,34,35,51,68
- IF LEAD FREE P/N, THE HOUSING WILL WITHSTAND EXPOSURE TO 260°C PEAK TEMPERATURE FOR 10 SECONDS IN A WAVE SOLDER APPLICATION WITH A 1.00MM MINIMUM THICK CIRCUIT BOARD.
- LEAD FREE P/N PACKAGING MEETS GS-14-920 SPECIFICATION



4 CARD INSERTION DIRECTION

mat'l code		tolerance unless otherwise specified		CUSTOMER		ELECTRONICS	
rev.	ecn no.	dr	date	linear	±0.30	COPY	FCI
G				angles	±2'	projection	title
				dr	WENDY CHEN 03/14/01	unit	68P DOUBLE EJECTOR HEADER ASS'Y FOR TYPE 1/2/3
				enrg	MINERVA WANG 03/14/01	mm/inch	product family
				chr	JOSEPH HSIA 03/14/01	scale	PCMCIA
				appd	JOSEPH HSIA 03/14/01	1.5:1	code
sheet	revision					A3	61150
index	sheet						6 OF