

Product Number

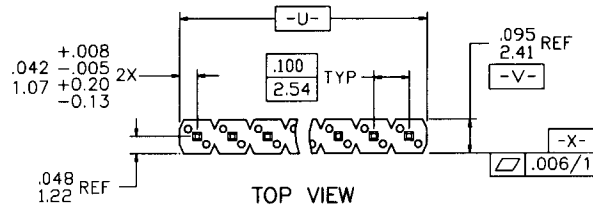
XXXXX-YYY-XX

NO OF POSITIONS  
SEE NOTE 3

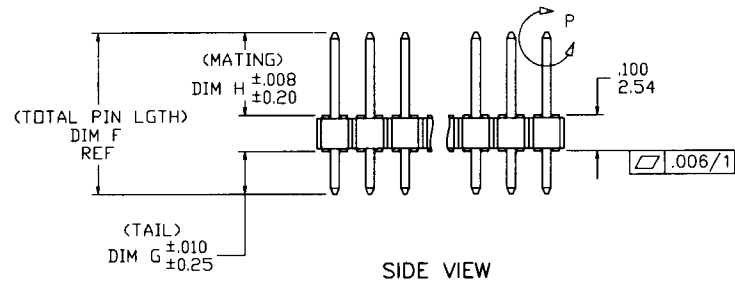
LEAD STYLE

PLATING NUMBER  
SEE SHEET 2

BASE PART NO.

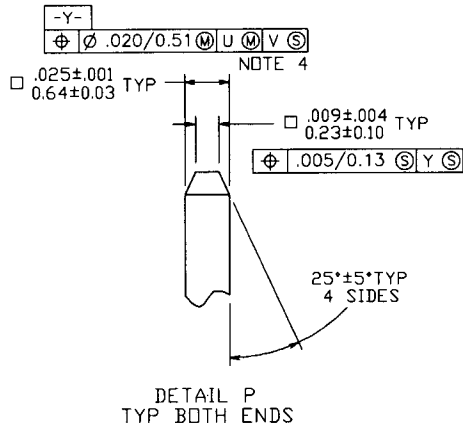
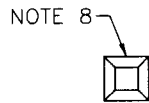


TOP VIEW



SIDE VIEW

END VIEW



DETAIL P  
TYP BOTH ENDS

mat'l. code NOTE 1 & 2				tolerances unless otherwise specified		INSPECTION COPY	 <b>FCI</b> Electronics <a href="http://www.fciconnect.com">www.fciconnect.com</a>
ltr	ecn no	dr	date	linear	projection		
A	V01593	MDF	7/7/00	.XXX ±.005/0.13	 INCH/MM	BERGSTIK® II HDR. S/R .100/2.54cc DUPLEX SEMI-FINISHED SMT.	
				.XXXX ±.0020/0.05		product family	code
				angles	scale	size	sheet
				dr	2:1	dwg no	1 of 3
				enr		<b>55488</b>	
				chr			
				appd			
sheet	revision	A	A	A			
index	sheet	1	2	3			

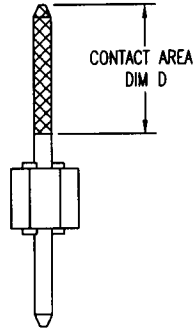
cage code  
22526

Tous droits strictement reserves. Reproduction ou communication a des tiers interdite sous quelque forme que ce soit sans autorisation écrite du propriétaire. Propriete de c FCI. Droits de reproduction FCI.

All rights strictly reserved. Reproduction or issue to third parties in any form whatever is not permitted without written authority from the proprietor. Property of FCI. Copyright FCI.



PLATING NUMBER	Contact Area "Dim D"	TAIL PLATING
XXXXX-1YY-XX	30μ"/0.76μ Au OVER 50μ"/1.27μ Ni.	100μ"/2.54μ TIN-LEAD OVER 50μ"/1.27μ Ni.
XXXXX-2YY-XX	15μ"/0.38μ Au OVER 50μ"/1.27μ Ni.	100μ"/2.54μ TIN-LEAD OVER 50μ"/1.27μ Ni.
XXXXX-4YY-XX	150μ"/3.81μ T/L OVER 50μ"/1.27μ Ni.	150μ"/3.81μ TIN-LEAD OVER 50μ"/1.27μ Ni.



END VIEW

NOTES

- ① BODY MATERIAL: GLASS FIBER REINFORCED PCT.  
FLAME RETARDANT PER UL 94V-0.  
COLOR: BLACK.
- ② PIN MATERIAL: PHOS-BRONZE.
- ③ ANY NUMBER OF POSITIONS 1 (1X1) THRU 36 (1X36).
- ④ MEASURED WITH PART IN RESTRAINED CONDITION.
- ⑤ 2LBS/0.9KG MIN PIN RETENTION IN EITHER DIRECTION.
6. PACKAGED IN POLY BAGS PER BUS-14-099.
- ⑦ EIGHT DIGIT PART NUMBERS FOLLOWED BY A "T" ARE PACKAGED IN TUBES PER BUS-14-212. SEE SPECIFIC PART NUMBERS FOR AVAILABILITY.
- ⑧ INDICATED SURFACES MUST BE PARALLEL TO DATUM -X- WITHIN ±4°.
- ⑨ USE BODY PART NUMBER 93189-001.
- ⑩ ALTERNATE PIN FOR -4YY PLATING IS 16-243-001.

Tous droits strictement reserves. Reproduction ou communication a des tiers interdite sous quelque forme que ce soit sans autorisation écrite du propriétaire. Propriete de c FCI. Droits de reproduction FCI.



All rights strictly reserved. Reproduction or issue to third parties in any form whatever is not permitted without written authority from the proprietor. Property of FCI. Copyright FCI.

mat'l. code				tolerances unless otherwise specified		INSPECTION COPY		Electronics www.fciconnect.com		
ltr	ecn no	dr	date	linear	.XX ±.01/.3	projection	title			
A					.XXX ±.005/0.13		BERGSTIK® II HDR. S/R .100/2.54cc			
				angles	.XXX ±.0020/0.051		DUPLEX SEMI-FINISHED SMT.			
				dr	M. FETROW 7/7/00	INCH/MM	product family	BERGSTIK		
				engr	H. SUNDY 7/7/00	scale	size	dwg no	code	
				chr	H. SUNDY 7/7/00		2:1	A	55488	210
				appd	H. SUNDY 7/7/00					sheet
sheet index	revision sheet								2 of	

cage code  
22526

Tous droits strictement reserves. Reproduction ou communication a des tiers interdite sous quelque forme que ce soit sans autorisation écrite du propriétaire. Propriete de c FCI. Droits de reproduction FCI.



All rights strictly reserved. Reproduction or issue to third parties in any form whatever is not permitted without written authority from the proprietor. Property of FCI. Copyright FCI.

1 | 2

3 |

4

PRODUCT NO.	TOTAL PIN LENGTH	TAIL LENGTH	MATING LENGTH	CONTACT AREA	BANDOLIER -1YY PLATED	BANDOLIER -2YY PLATED	BANDOLIER -4YY PLATED	PACKAGING
	DIM F	DIM G	DIM H	DIM D	PIN P/N	PIN P/N	PIN P/N	
55488-X01-XX	.450/11.43	.172/4.37	.178/4.52	.157/4.00	98023-105	98023-205	98023-405 NOTE 10	POLY BAGS
55488-X02-XX	.538/13.66	.260/6.60	.178/4.52	.157/4.00	98023-109	98023-209	98023-409 NOTE 10	POLY BAGS
55488-X03-XX	.643/16.33	.365/9.27	.178/4.52	.157/4.00	98023-137	98023-237	98023-437 NOTE 10	POLY BAGS

A

A

mat'l. code				tolerances unless otherwise specified		INSPECTION COPY		<b>Electronics</b> FCI <a href="http://www.fciconnect.com">www.fciconnect.com</a>				
ltr	ecn no	dr	date	linear	.XX ±.01/.3	projection		title				
A					.XXX ±.005/0.13			BERGSTIK® II HDR. S/R .100/2.54cc		code		
				angles	.XXX ±.0020/0.051	INCH/MM		product family BERGSTIK				
				0° ±2'	size dwg no			210				
		dr	M. FETROW	7/7/00		scale	1:1	A	55488			
		enr	H. SUNDY	7/7/00	sheet					3 of		
		chr	H. SUNDY	7/7/00	sheet					3 of		
		appd	H. SUNDY	7/7/00	sheet					3 of		
sheet index	revision sheet											

B

B

1 | 2

3 |

4

ACAD

cage code  
22526