

Fig. 1

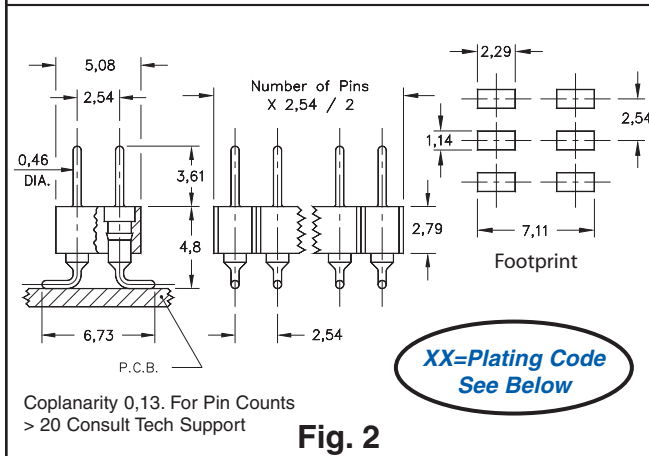


Fig. 2

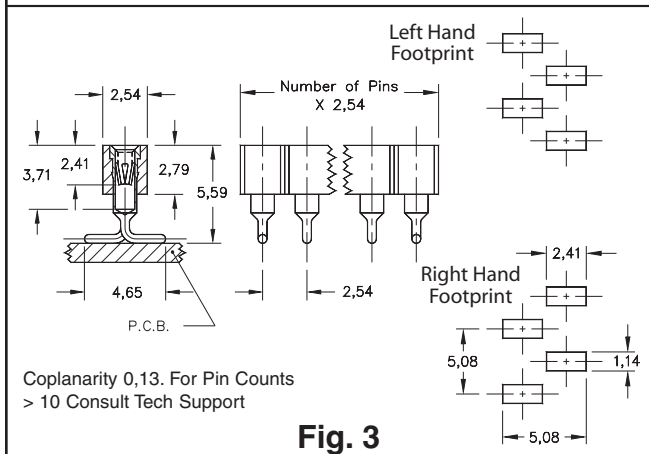


Fig. 3

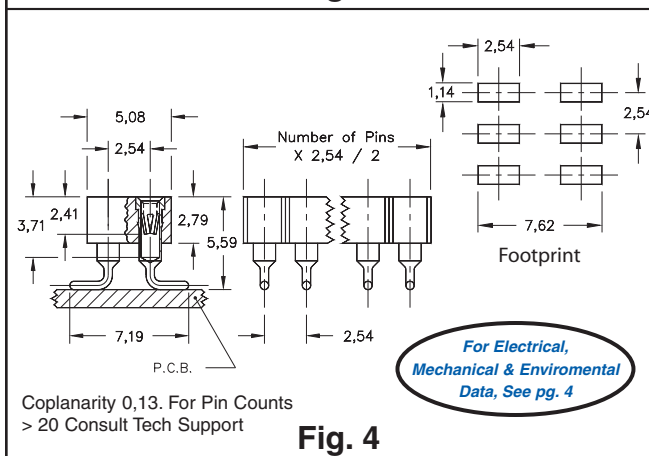
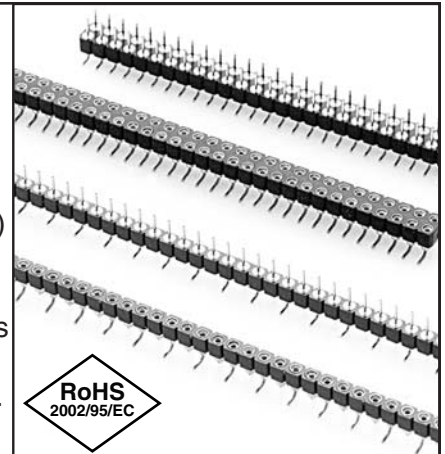


Fig. 4

- Headers (350 & 450) use MM# 3404 pins. See page 179 for details.
- Sockets (310 & 410) use MM# 1005 receptacles and accept pin diameters from 0,38-0,64. See page 137 for details.
- Coplanarity 0,13 (Single Row max 10 pins; Double Row max 20 pins). For higher pin counts contact technical support.
- Insulators are high temp. thermoplastic.



For RoHS compliance select plating code.

Ordering Information

| | | | | |
|--------------------------|--|-----------|--------------|-----------|
| Fig. 1L | Single Row Header, Left Hand Footprint Odd or Even # of pins | | | |
| | 350-XX-1__-00-106000 Specify # of pins → 02-64 | | | |
| Fig. 1R | Single Row Header, Right Hand Footprint Even # of pins | | | |
| | 350-XX-1__-00-107000 Specify even # of pins → 02-64 | | | |
| Fig. 2 | Double Row Header, Even # of pins | | | |
| | 450-XX-2__-00-106000 Specify even # of pins → 04-72 | | | |
| SPECIFY PLATING CODE XX= | | 10 | 90 | 40 |
| Pin Plating | | 0,25µm Au | 5,08µm Sn/Pb | 5,08µm Sn |
| Fig. 3L | Single Row Socket, Left Hand Footprint Odd or Even # of pins | | | |
| | 310-43-1__-41-105000 Specify # of pins → 02-64 | | | |
| Fig. 3R | Single Row Socket, Right Hand Footprint Even # of pins | | | |
| | 310-43-1__-41-107000 Specify even # of pins → 02-64 | | | |
| Fig. 4 | Double Row Socket, Even # of pins | | | |
| | 410-43-2__-41-105000 Specify even # of pins → 04-72 | | | |
| PLATING CODE = | | | | 43 |
| Sleeve (Pin) | | | | 5,08µm Sn |
| Contact (Clip) | | | | 0,76µm Au |

XX=Plating Code
See Below

For Electrical,
Mechanical & Environmental
Data, See pg. 4