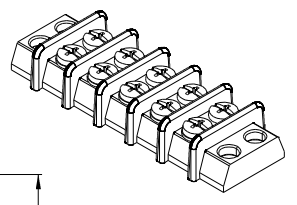
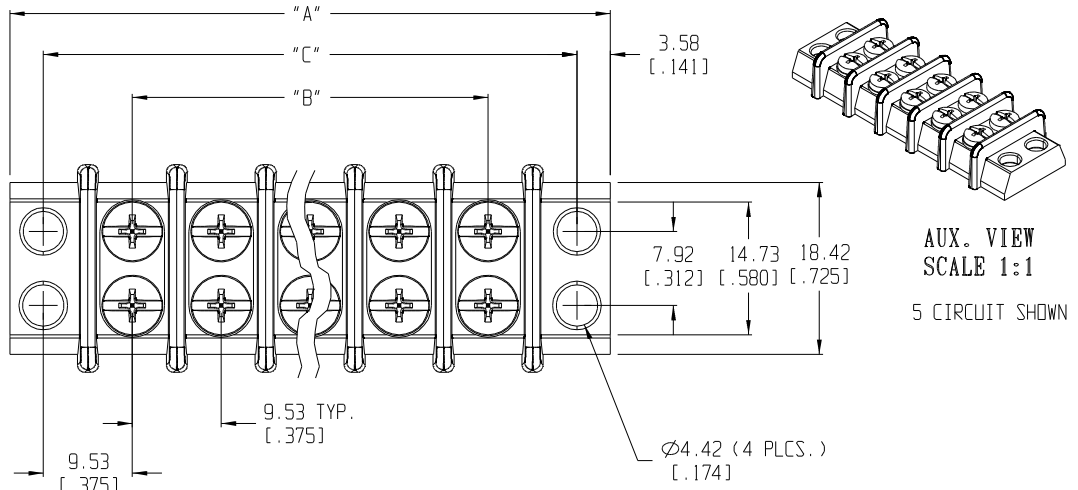
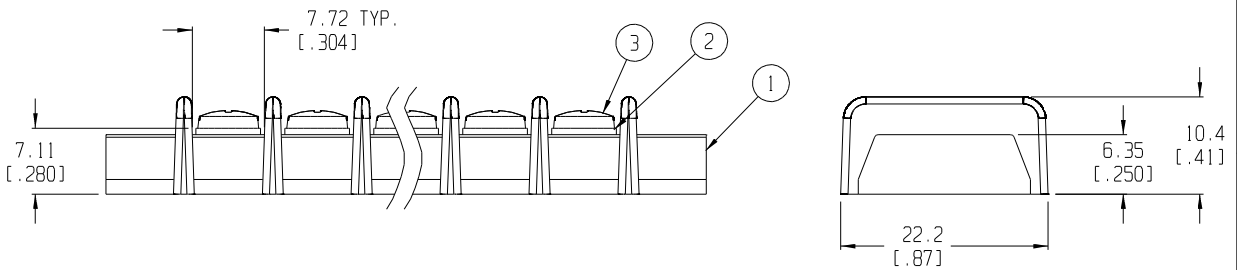


QTY. OF CIRC. "XX"	DIM. "A"	DIM. "B"	DIM. "C"	ASSEMBLY MATERIAL #
02	35.7 [1.41]	9.53 [.375]	28.58 [1.125]	38140-0102
03	45.3 [1.78]	19.05 [.750]	38.10 [1.500]	38140-0103
04	54.8 [2.16]	28.58 [1.125]	47.63 [1.875]	38140-0104
05	64.3 [2.53]	38.10 [1.500]	57.15 [2.250]	38140-0105
06	73.8 [2.91]	47.63 [1.875]	66.68 [2.625]	38140-0106
07	83.4 [3.28]	57.15 [2.250]	76.20 [3.000]	38140-0107
08	92.9 [3.66]	66.68 [2.625]	85.73 [3.375]	38140-0108
09	102.4 [4.03]	76.20 [3.000]	95.25 [3.750]	38140-0109
10	111.9 [4.41]	85.73 [3.375]	104.78 [4.125]	38140-0110
11	121.5 [4.78]	95.25 [3.750]	114.30 [4.500]	38140-0111
12	131.0 [5.16]	104.78 [4.125]	123.83 [4.875]	38140-0112
13	140.5 [5.53]	114.30 [4.500]	133.35 [5.250]	38140-0113
14	150.0 [5.91]	123.83 [4.875]	142.88 [5.625]	38140-0114
15	159.6 [6.28]	133.35 [5.250]	152.40 [6.000]	38140-0115
16	169.1 [6.66]	142.88 [5.625]	161.93 [6.375]	38140-0116
17	178.6 [7.03]	152.40 [6.000]	171.45 [6.750]	38140-0117
18	188.1 [7.41]	161.93 [6.375]	180.98 [7.125]	38140-0118
19	197.7 [7.78]	171.45 [6.750]	190.50 [7.500]	38140-0119
20	207.2 [8.16]	180.98 [7.125]	200.03 [7.875]	38140-0120
21	216.7 [8.53]	190.50 [7.500]	209.55 [8.250]	38140-0121
22	226.2 [8.91]	200.03 [7.875]	219.08 [8.625]	38140-0122
23	235.8 [9.28]	209.55 [8.250]	228.60 [9.000]	38140-0123
24	245.3 [9.66]	219.08 [8.625]	238.13 [9.375]	38140-0124
25	254.8 [10.03]	228.60 [9.000]	247.65 [9.750]	38140-0125
26	264.3 [10.41]	238.13 [9.375]	257.18 [10.125]	38140-0126
27	273.9 [10.78]	247.65 [9.750]	266.70 [10.500]	38140-0127
28	283.4 [11.16]	257.18 [10.125]	276.23 [10.875]	38140-0128
29	292.9 [11.53]	266.70 [10.500]	285.75 [11.250]	38140-0129
30	302.4 [11.91]	276.23 [10.875]	295.28 [11.625]	38140-0130



AUX. VIEW  
SCALE 1:1  
5 CIRCUIT SHOWN



- NOTES:
1. MATERIAL: SEE TABLE
  2. FINISHES: SEE TABLE
  3. PRODUCT SPECIFICATION: NOT REQUIRED
  4. PACKAGING: NOT REQUIRED
  5. MATES WITH: NONE
  6. "XX" REFERS TO THE QUANTITY OF CIRCUITS.

3	XX*2	SCREW, #5-40 X .250 BHD, PHIL-SLOT	STEEL	ZN, CLEAR CHROMATE
2	XX	TERMINAL, TWIN EYELET	BRASS	NICKEL PLATE
1	1	INSULATOR, AS CUT	PHENOLIC	BLACK
ITEM	QTY.	DESCRIPTION	MATERIAL	FINISH

EC NO. RELEASED DRWN: CLY CHK: CLY APPR: CLY REV: A	DESCRIPTION MAJOR = CRITICAL = SPC =	GENERAL TOLERANCES: (UNLESS SPECIFIED) mm      INCH 4 PLACES ±.038      ±.005 3 PLACES ±.038      ±.005 2 PLACES ±.13      ±.01 1 PLACE ±.3 ANGULAR: ±2°		SCALE 2:1 DESIGN UNITS <input type="checkbox"/> mm <input checked="" type="checkbox"/> INCH	THIRD ANGLE PROJECTION TITLE: 9.53mm (.375") DOUBLE ROW PHENOLIC BTS ASSEMBLY	PROJECT NO. - DIMENSIONS: <input checked="" type="checkbox"/> mm <input type="checkbox"/> INCH <input type="checkbox"/> mm <input type="checkbox"/> INCH ONLY	SHT - REV - REVISE ON CAD ONLY
		DRAWN BY & DATE C. YORK 11-22-04		CHECKED BY & DATE		APPROVED BY & DATE	
		CAD FILENAME 140XX		MATERIAL NO. SEE CHART		DRAWING NO. SD-38140-001	
		DRAFT WHERE APPLICABLE MUST REMAIN WITHIN DIMENSIONS		THIS DRAWING CONTAINS INFORMATION THAT IS PROPRIETARY TO MOLEX INCORPORATED AND SHOULD NOT BE USED WITHOUT WRITTEN PERMISSION.			