

RIGHT POLARIZING BACKPLANE MODULE
ASSEMBLY PART NUMBER ASSIGNMENT
345 - X 0 XX - X X X

LOAD
6 = STANDARD LOAD
7 = CUSTOM LOAD, LEADED
8 = CUSTOM LOAD, LEAD FREE
L = CUSTOM LOAD, LEADED, ADVANCED PLATING
N = CUSTOM LOAD, LEAD FREE, ADVANCED PLATING

NUMBER OF COLUMNS
07 = 7 COLUMN MODULE
10 = 10 COLUMN MODULE
14 = 14 COLUMN MODULE
25 = 25 COLUMN MODULE

MINIMUM PIN WIPE LENGTH
SEE DETAIL U
3 = 1.00 mm WIPE
4 = 2.00 mm WIPE
5 = 3.00 mm WIPE

PLATING CODE
0 = 735 4 = 804
1 = 732 5 = 803
2 = 769 6 = 806
3 = 768 7 = 805

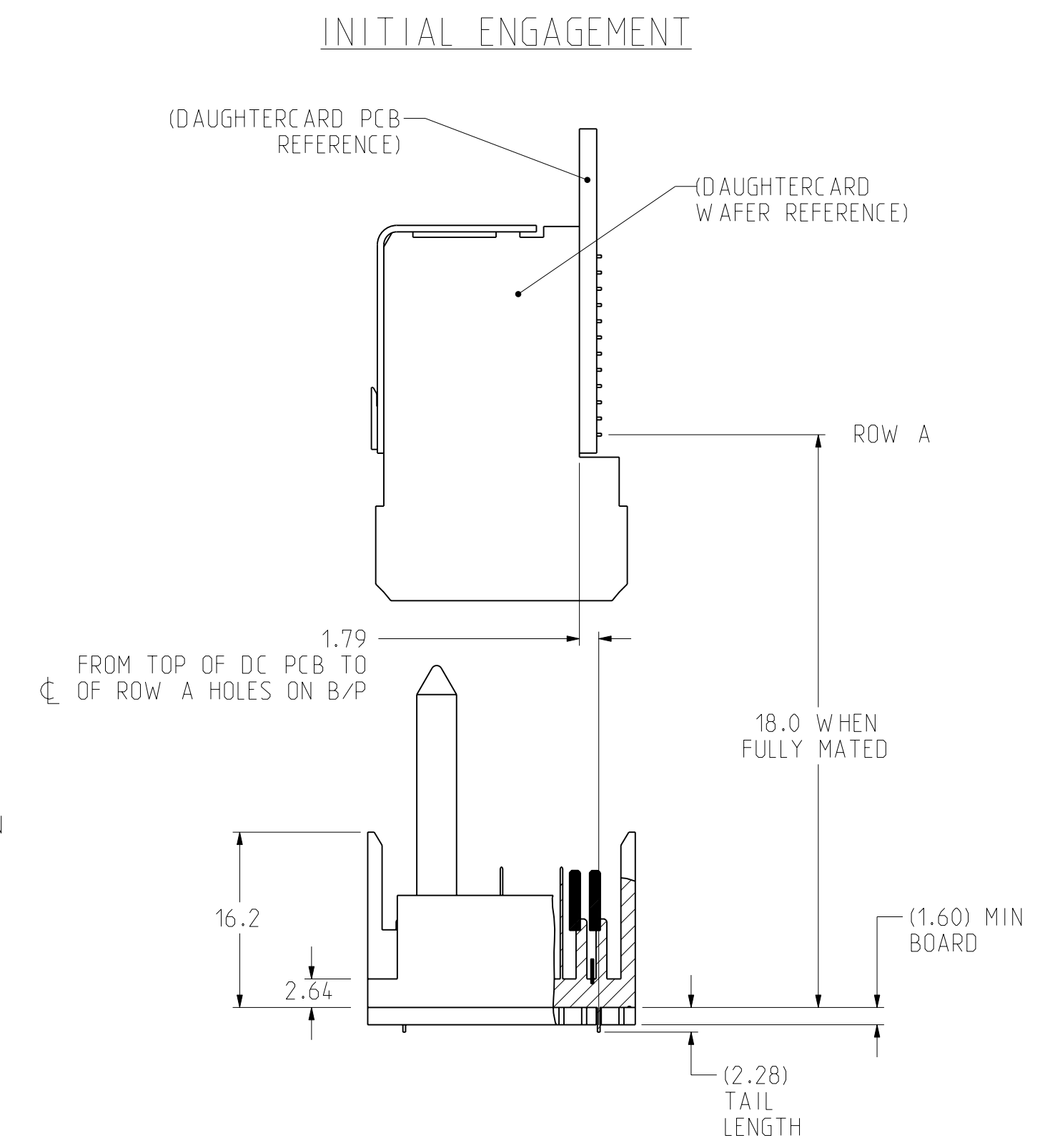
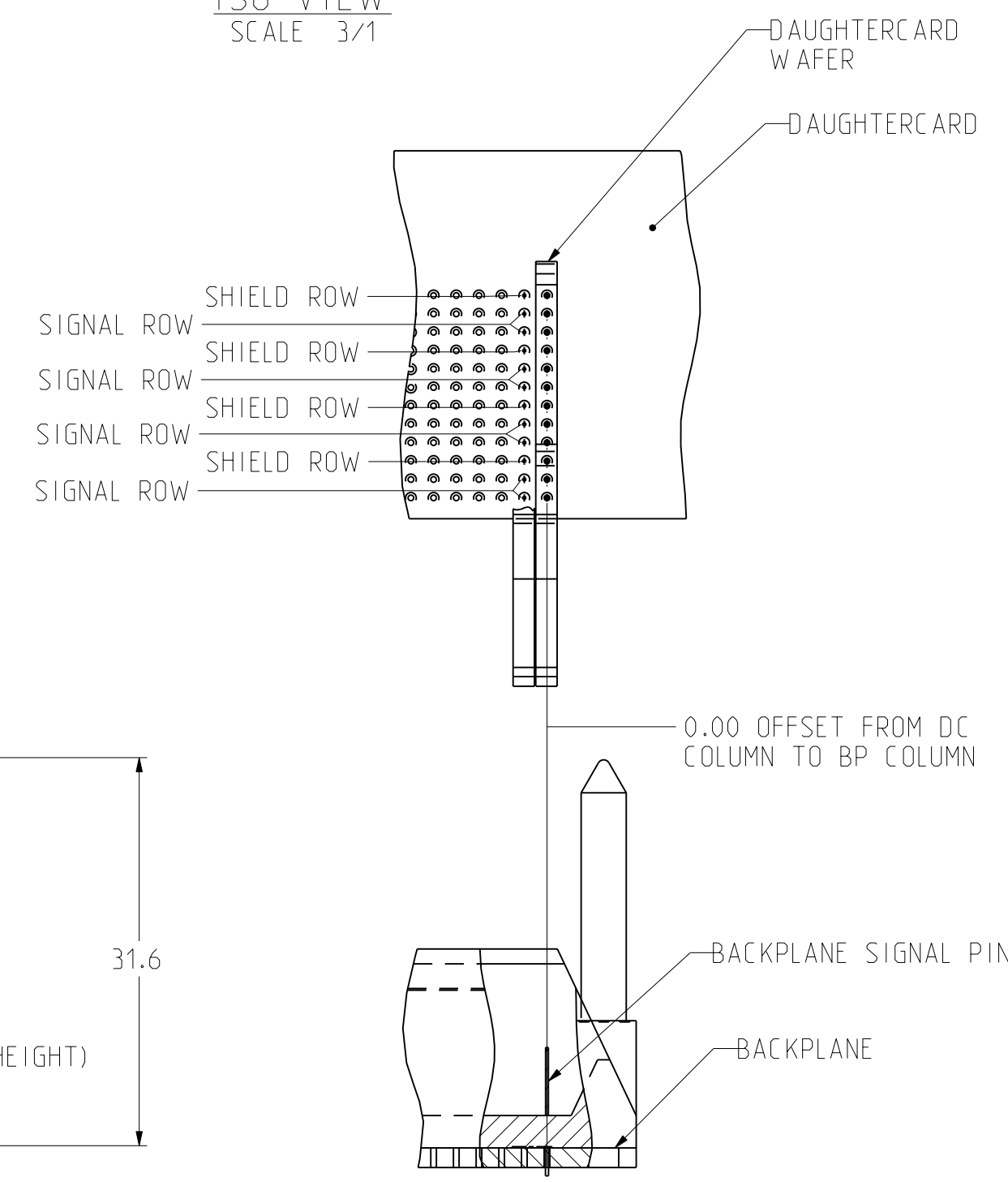
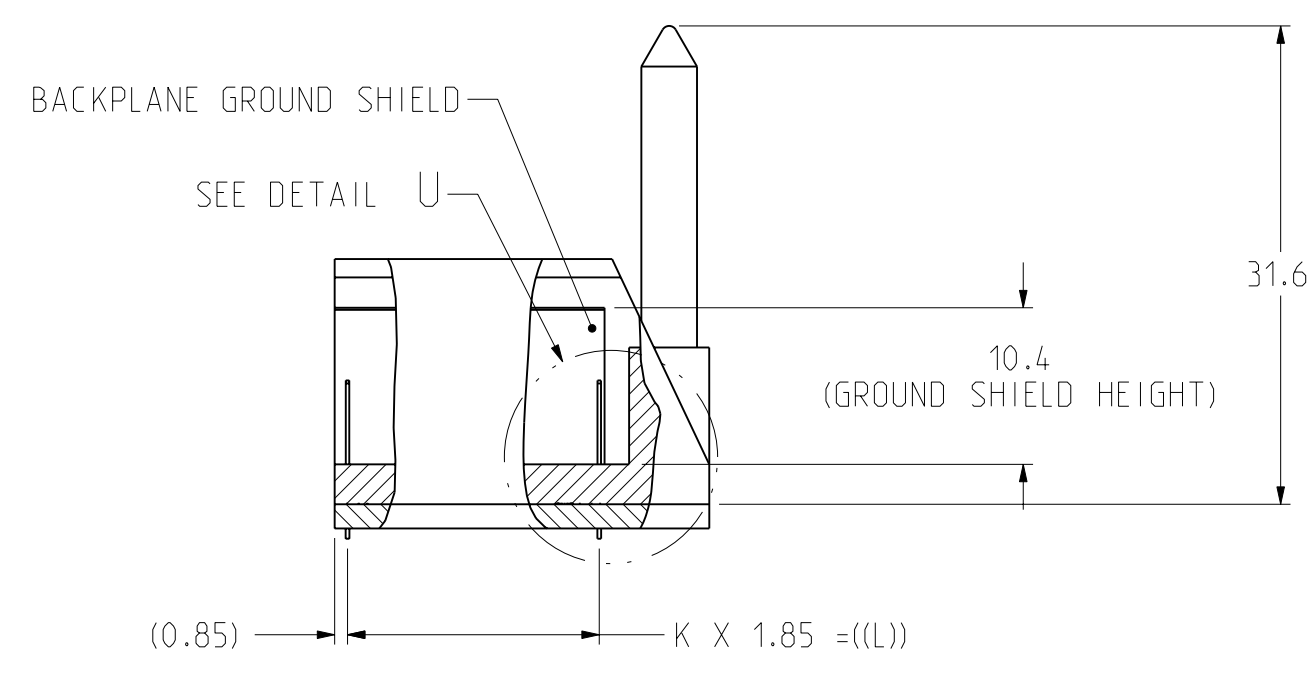
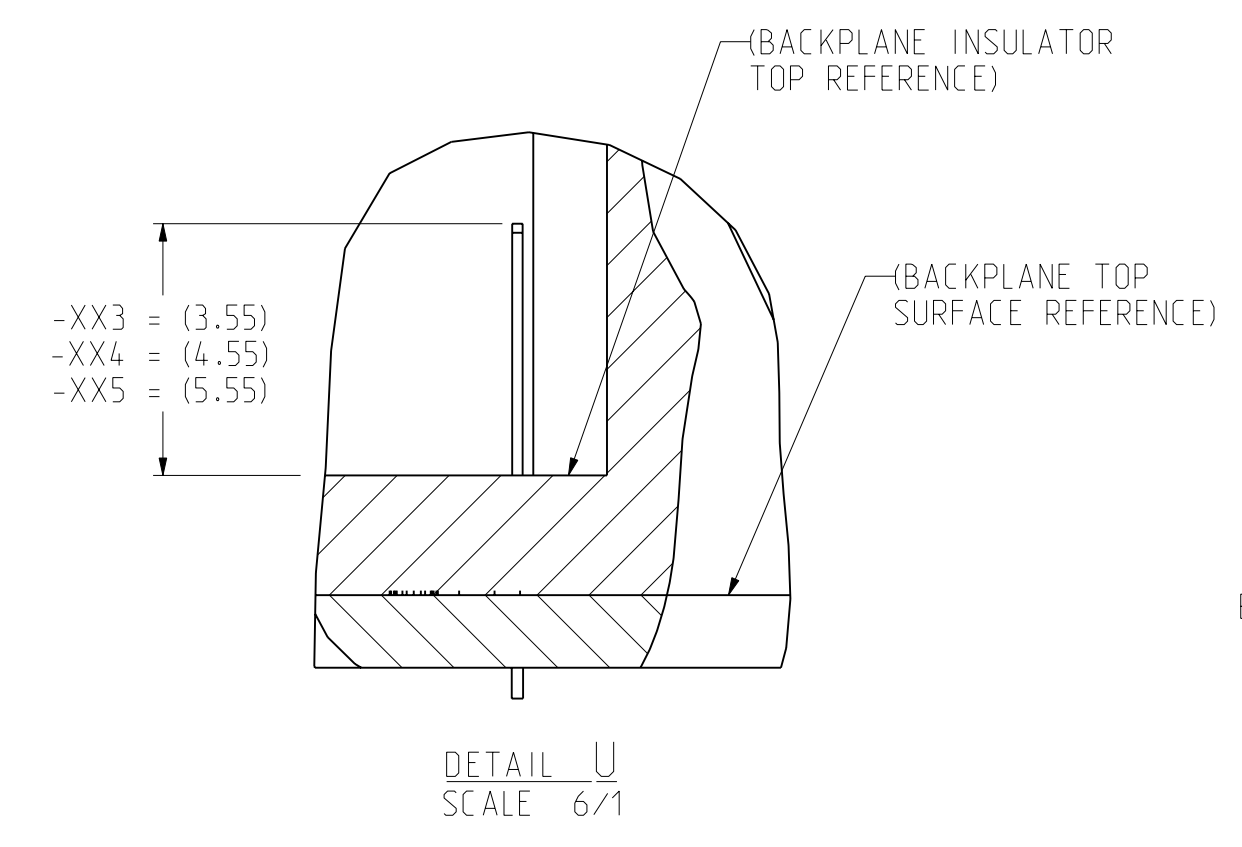
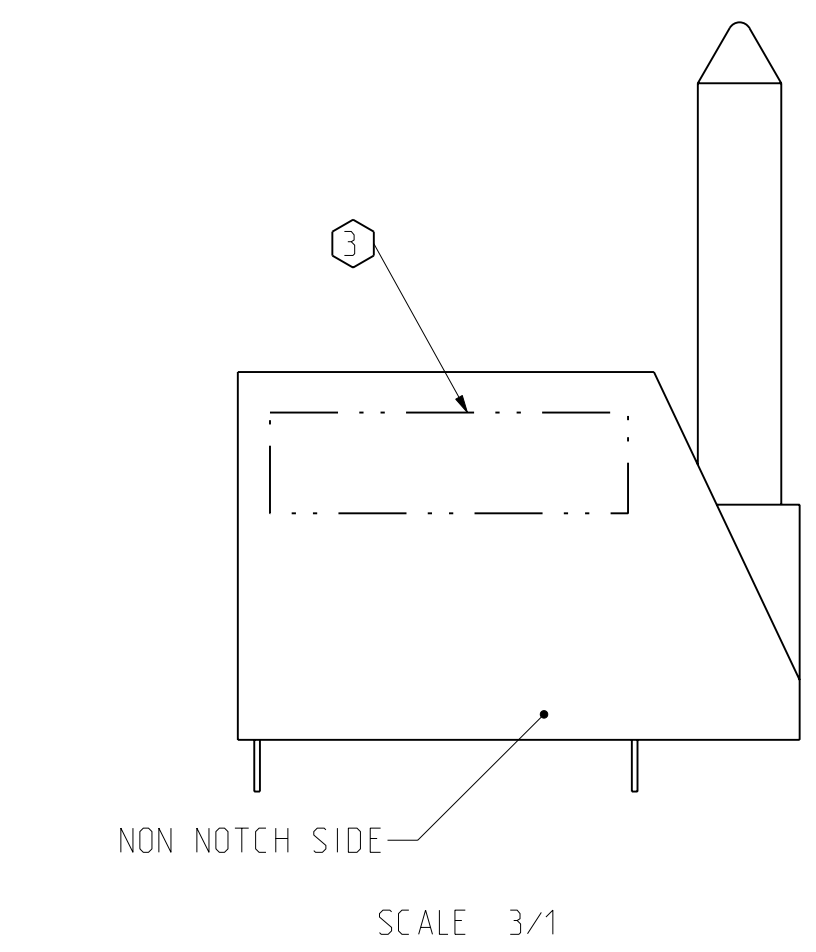
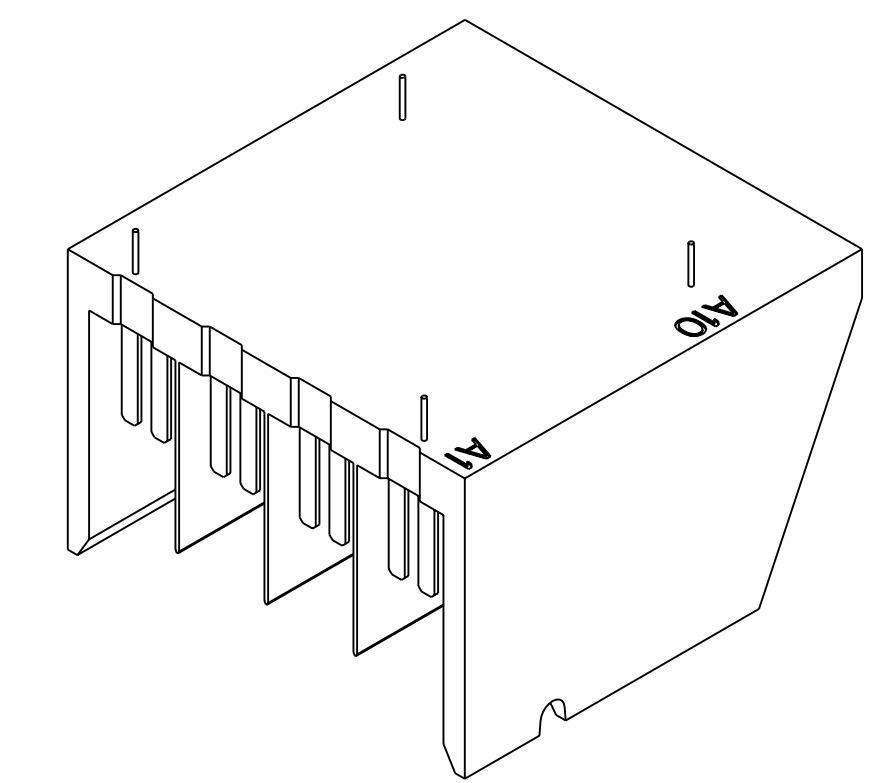
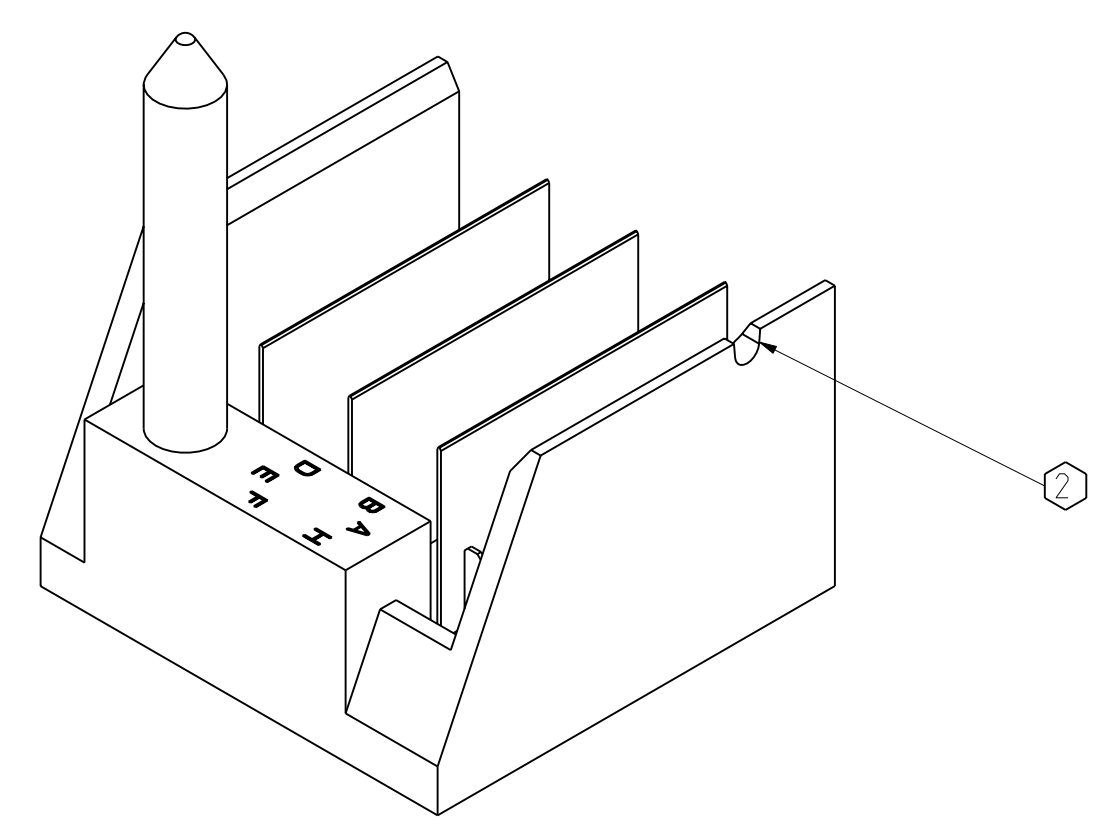
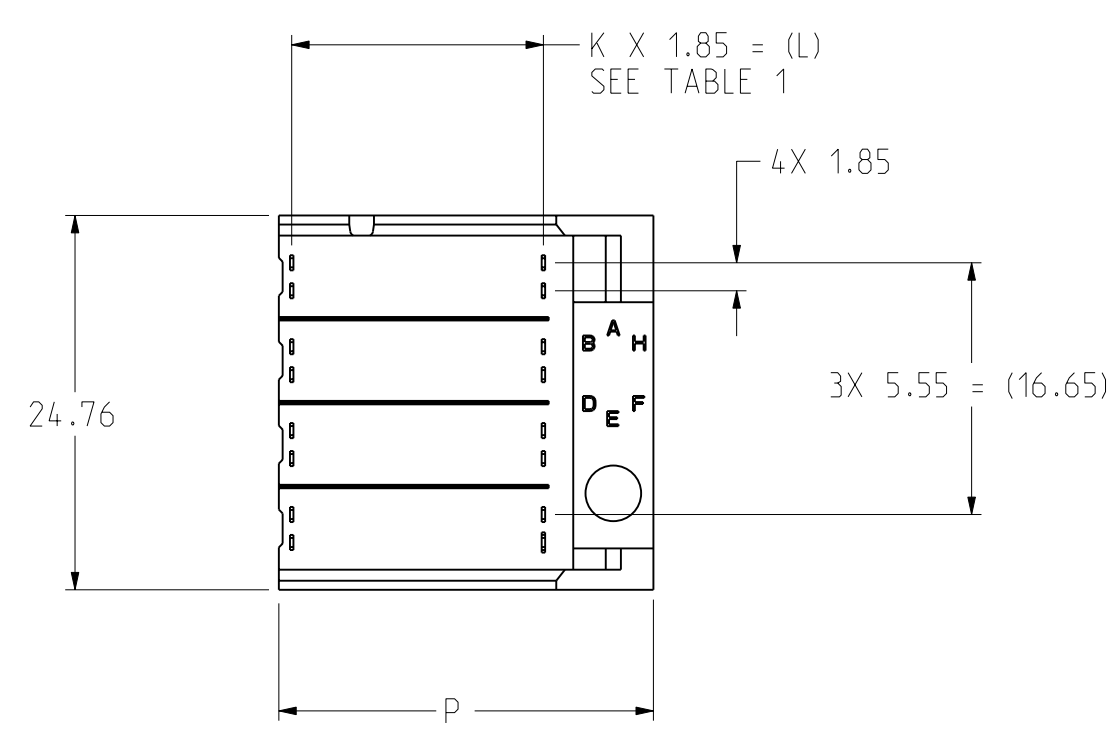
POLARIZING PIN LOCATION CODE (SEE TABLE 2)

TABLE 1

ASSEMBLY PART NUMBER	K	(L)	P	TOTAL NUMBER OF DIFFERENTIAL PAIRS
345-6010-XXX	9	(16.65)	24.78	40
345-6025-XXX	24	(44.40)	52.53	100

TABLE 2

PART NUMBER 345-60XX-(...)	-0XX	-AXX	-BXX	-CXX	-DXX	-EXX	-FXX	-GXX	-HXX
	0	A	B	C	D	E	F	G	H
POLARIZING PIN ORIENTATION									
	(NO KEY)								



ZONE	REV	SCR NUMBER	DESCRIPTION	BY	DATE	APPROVED
ALL	-	DSMH-6BS006.VER01	NEW RELEASE	M.DEROSA	10/18/02	B.RICHARD
	A	MDRA-6GWQWP.VER01	ADDED 7 POSITION	M.DEROSA	10/06/05	B.RICHARD
	B	MLEE-6K9H3D.VER01	REPLACED DRAWING FORMAT	R.CHIFFY	12/14/05	C.SAMMIS
	C	SBAR-6M8L8F.VER01	ADDED LEAD FREE OPTIONS	HCL	03/02/06	D.SMITH
	D	CSAS-6R7RWJ.VER01	CORRECTED ERRORS ON TABLES 1 & 2	HCL	07/04/06	D.SMITH
	E	CSAS-83KL5Z.VER01	ADDED NEW PART NUMBERS FOR NEW PLATING CODES IN ASSEMBLY PART NUMBER ASSIGNMENT TREE. MODIFIED NOTE 4 AND 7. REMOVED REVISION COLUMN IN TABLE 1. CORRECTED NOTES SEQUENCE NUMBERS.	HCL-MH	03/16/2010	C.SAMMIS

7. IF 4TH DIGIT OF THE PART NUMBER IS 7 OR 8 OR L OR N (CUSTOM PART), DIGIT 5 THROUGH 10 DO NOT FOLLOW THE PARADIGM IN TABLE.
6. USE MATING GAUGE PART NUMBER 699-2032-000 AFTER INSERTION ONTO BOARD TO CHECK POSITION OF BLADES.
5. FOR REPAIR PROCEDURE FOR SIGNAL BLADE, SEE TB-2099.
4. 9TH DIGIT OF PART NUMBER IDENTIFIES PLATING:
735 - Ni SULFAMATE, STANDARD GOLD, LEADED
732 - Ni SULFAMATE, HIGH GOLD, LEADED
769 - Ni SULFAMATE, STANDARD GOLD, LEAD-FREE
768 - Ni SULFAMATE, HIGH GOLD, LEAD-FREE
804 - NANO Ni, STANDARD GOLD, LEADED
803 - NANO Ni, HIGH GOLD, LEADED
806 - NANO Ni, STANDARD GOLD, LEAD-FREE
805 - NANO Ni, HIGH GOLD, LEAD-FREE
3. PART MARKING AS FOLLOWS:
LINE 1: "ATCS" AND DATECODE (ATCS YYWW).
LINE 2: MODULE PART NUMBER (345-####-###).
LINE 3: WORK ORDER NUMBER (#####), WHERE "*" DENOTES MANUFACTURING LOCATION.
2. NOTCH DESIGNATES "ROW A" SIDE OF SHROUD. NOTCH FEATURE ON OPPOSITE SIDE FROM PART MARKING.
1. REFER TO TB-2085 FOR GbX PRODUCT SPECIFICATIONS.
- NOTES:

TOLERANCES	DESIGN 04/08/01	S.ALLEN	Amphenol TCS A Division of Amphenol Corporation 200 Innovative Way, Nashua, NH 03062 803.879.3000	
0.0	±0.25	DRAWN 10/14/02	M.DEROSA	TITLE RIGHT POLARIZING BACKPLANE MODULE 4 PAIR GbX
0.00	±0.13	CHK 10/18/02	B.RICHARD	PART NO. SEE PART NUMBER TREE
0.000	± -	APVD 10/18/02	B.RICHARD	REV N/A
ANGLES	± -			DRAWING NO. C-345-6010-500
UNLESS OTHERWISE SPECIFIED DIMENSIONS ARE IN MM. DECIMAL MARKER IS A PERIOD				PROV E Iyba: SI-P1021-CU-RTPOL-07 1.2
CUSTOMER USE DRAWING				PROV E Iyba: C-345-6010-500 E.O
SIZE D	SCALE 1/1	SHEET 1 OF 3		

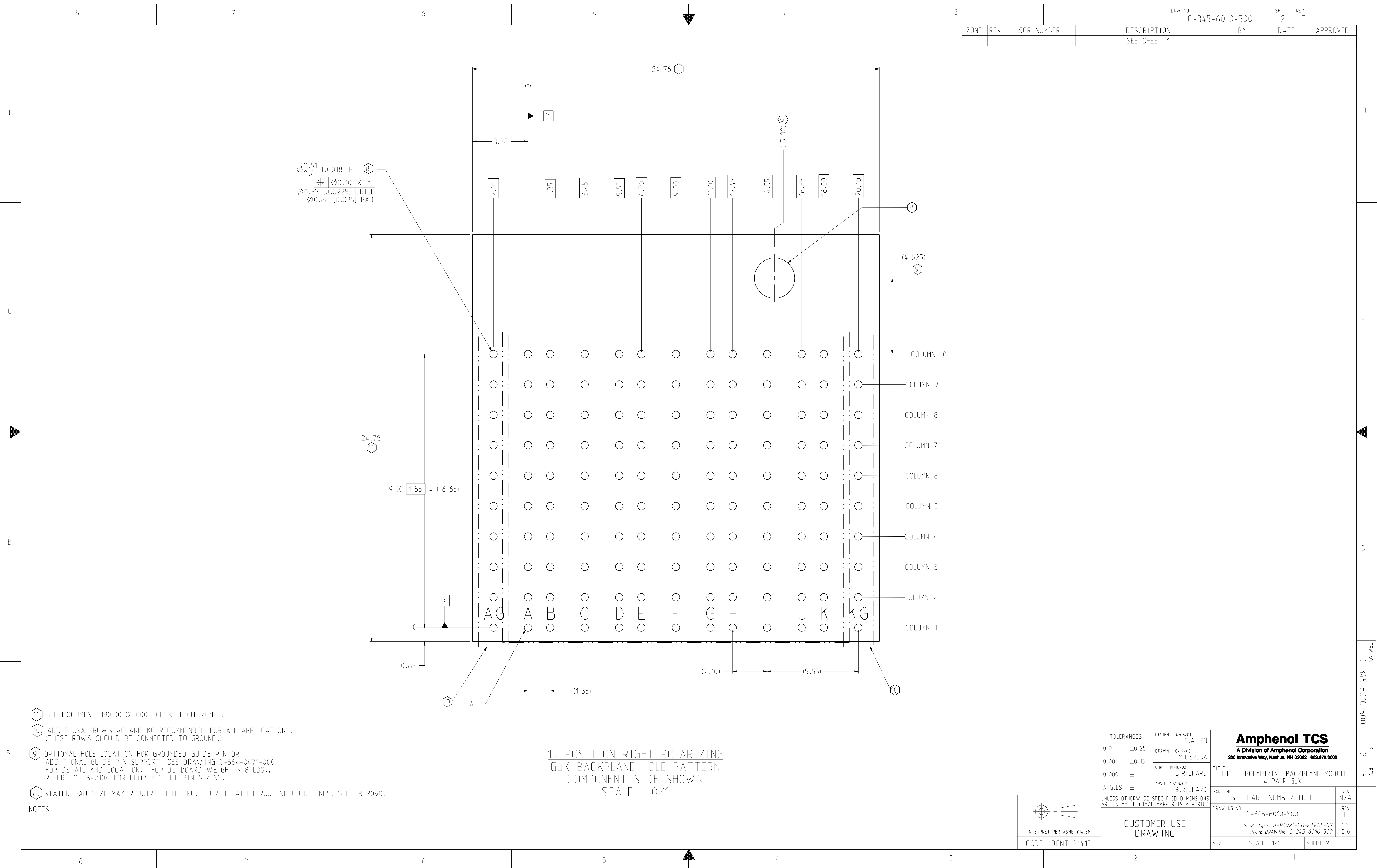
INTERPRET PER ASME Y14.5M
CODE IDENT 31413

DRW NO. C-345-6010-500

SH 1 REV E

ZONE	REV	SCR NUMBER	DESCRIPTION	BY	DATE	APPROVED
			SEE SHEET 1			

DRW NO. C-345-6010-500 SH 2 REV E



- 11. SEE DOCUMENT 190-0002-000 FOR KEEPOUT ZONES.
- 10. ADDITIONAL ROWS AG AND KG RECOMMENDED FOR ALL APPLICATIONS. (THESE ROWS SHOULD BE CONNECTED TO GROUND.)
- 9. OPTIONAL HOLE LOCATION FOR GROUNDED GUIDE PIN OR ADDITIONAL GUIDE PIN SUPPORT. SEE DRAWING C-564-0471-000 FOR DETAIL AND LOCATION. FOR DC BOARD WEIGHT > 8 LBS., REFER TO TB-2104 FOR PROPER GUIDE PIN SIZING.
- 8. STATED PAD SIZE MAY REQUIRE FILLETING. FOR DETAILED ROUTING GUIDELINES, SEE TB-2090.

NOTES:

10 POSITION RIGHT POLARIZING
GbX BACKPLANE HOLE PATTERN
COMPONENT SIDE SHOWN
SCALE 10/1

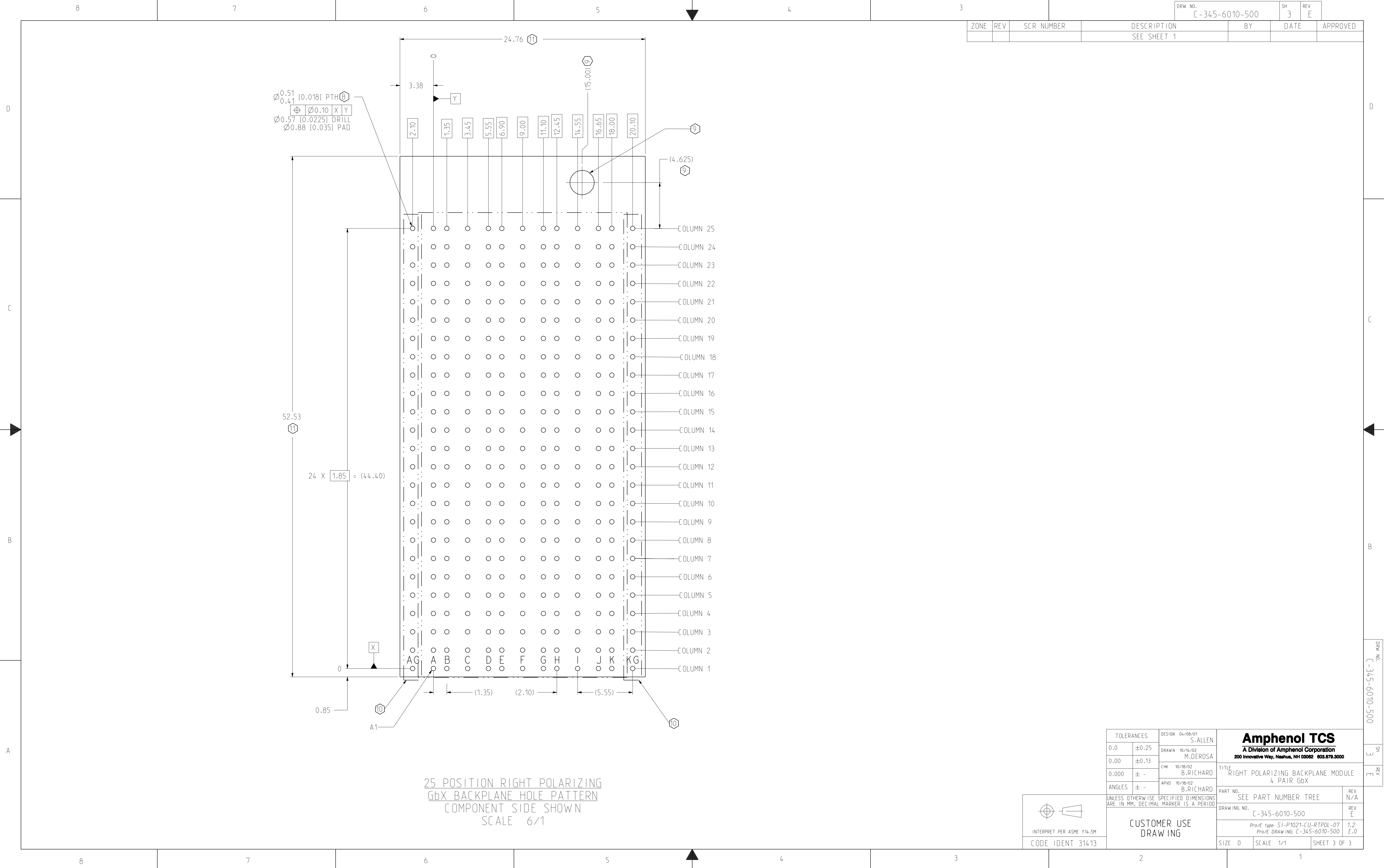
TOLERANCES		DESIGN 06/08/01	Amphenol TCS	
0.0	±0.25	S.ALLEN	A Division of Amphenol Corporation	
0.00	±0.13	M.DEROSA	200 Innovative Way, Nashua, NH 03062 603.879.3000	
0.000	± -	B.RICHARD	TITLE RIGHT POLARIZING BACKPLANE MODULE 4 PAIR GbX	
ANGLES	± -	B.RICHARD	PART NO. SEE PART NUMBER TREE	REV N/A
UNLESS OTHERWISE SPECIFIED DIMENSIONS ARE IN MM. DECIMAL MARKER IS A PERIOD.			DRAWING NO. C-345-6010-500	REV E
<p>INTERPRET PER ASME Y14.5M CODE IDENT 31413</p>			CUSTOMER USE DRAWING	
			PROVE TYPE: S1-P1021-CU-RTPOL-07	1.2
SIZE D	SCALE 1/1	SHEET 2 OF 3		

DRW NO. C-345-6010-500

SH 2 REV E

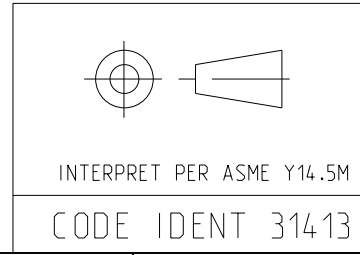
ZONE	REV	SCR NUMBER	DESCRIPTION	BY	DATE	APPROVED
			SEE SHEET 1			

DRW NO.	SH	REV
C-345-6010-500	3	E



25 POSITION RIGHT POLARIZING
GbX BACKPLANE HOLE PATTERN
COMPONENT SIDE SHOWN
SCALE 6/1

TOLERANCES		DESIGN 06/08/01 S.ALLEN	Amphenol TCS A Division of Amphenol Corporation 200 Innovative Way, Nashua, NH 03062 603.879.3000	TITLE	RIGHT POLARIZING BACKPLANE MODULE 4 PAIR GbX
0.0	±0.25	DRAWN 10/14/02 M.DEROSA		PART NO.	SEE PART NUMBER TREE
0.00	±0.13	CHK 10/18/02 B.RICHARD		DRAWING NO.	C-345-6010-500
0.000	± -	APVD 10/18/02 B.RICHARD		PROVE TYPE	SI-P1021-CU-RTPOL-07 PROVE DRAWING: C-345-6010-500
ANGLES	± -		SCALE	1/1	SHEET 3 OF 3



CUSTOMER USE
DRAWING

C-345-6010-500

SH 3
REV E